



PUQ[®] PRESS

**QUICK
START
GUIDE**

MODEL


M2

M3

M4

M5

1-210-0340-1





www.puqpress.com/manuals

⚠ WARNING

For more information see the extended manual online about safe installation and operation.



INTENDED USE

The PUQpress is intended as a fully automatic coffee tamper.

Grounded coffee can be tampered with an adjustable force.

The PUQpress is intended for indoor use only.

Any modification of the PUQpress may have consequences for safety, warranty and proper functioning.

SAFETY INSTRUCTIONS

⚠ WARNING

- Ensure you have fully read and understood the instructions in this document before you install or use the PUQpress. Keep this document for future reference.
- Only use the PUQpress as described in this document.
- The PUQpress can only be used by people aged from 18 years and above and persons with reduced physical, sensory or mental capabilities or lack of experience and knowledge if they have been given supervision or instruction concerning use of the PUQpress in a safe way and understand the hazards involved.
- Never let children play with the PUQpress. Not doing so may result in the PUQpress getting damaged.

- Cleaning and user maintenance shall not be made by children without supervision.
- Never immerse cables, plugs or the PUQpress itself into water or other liquids to avoid electric shock, or injury.
- Always switch off the PUQpress before performing maintenance or cleaning on the PUQpress to avoid electric shock, or injury.
- Always remove the plug from the outlet before performing maintenance or cleaning on the PUQpress to avoid electric shock, or injury.
- Always unplug the PUQpress from the power source and other equipment if problems occur to avoid electric shock, or injury.
- Never use the PUQpress if the PUQpress, cable or plug is damaged. Any required repairs may only be conducted by authorized service personnel. For this reason, please contact a customer

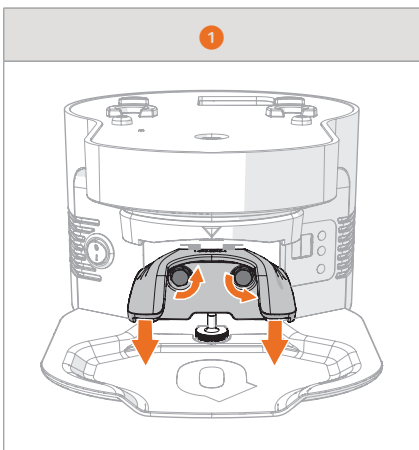
service repair facility or your dealer. Using the PUQpress if the PUQpress, cable or plug is damaged may result in electric shock, or injury.

⚠ CAUTION

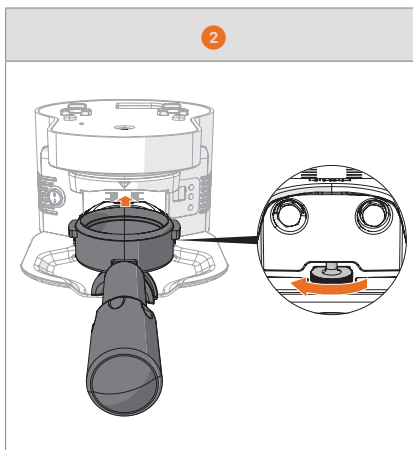
- Always handle the coffee grinder with two people with care. Not doing so may result in the coffee grinder getting damaged.
- Always adjust the lower clamp before use. Not doing so results in exposure of dangerous moving parts.
- Never insert your hand (or other limbs) in between the PUQpress base and lower clamp. Risk to pinch.
- Never make any modifications or alterations to the PUQpress. The manufacturer holds no liability for damages resulting from failure to observe these instructions.

- Never drop the PUQpress and avoid bumping. Not doing so results in the PUQpress getting damaged.
- Never unplug the PUQpress by pulling the cable. Always grasp the plug and pull.
- Always place the PUQpress on a level, vibration-free surface.
- Never operate the PUQpress in moist or wet conditions.
- Make sure the port-a-filter (group handle) does not wiggle after adjusting.
- Make sure to guide the cables through the cable guide(s) and clip(s) on the bottom. Not doing so may result in the cables getting damaged.
- Make sure not to use a damp/wet cloth to clean the tamper base. Grounded coffee will stick to the tamper base.

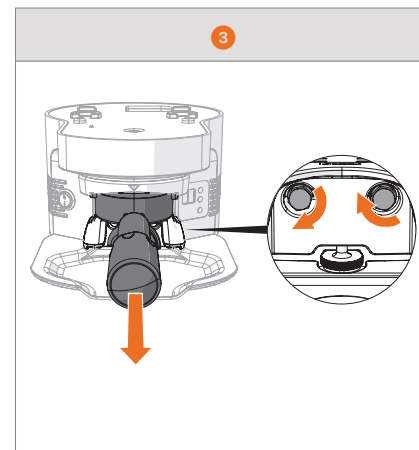
ADJUSTING THE PORT-A-FILTER CLAMP



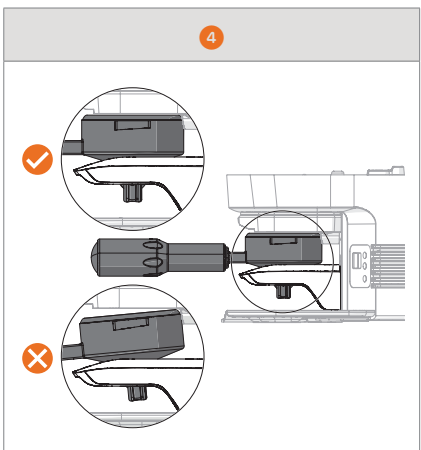
1. Slightly loosen the bolts of the lower clamp. Use the provided T-wrench. **1**
2. Pull down the lower clamp. **1**



3. Insert the port-a-filter between the upper and lower clamp. **2**
4. Rotate the adjustment wheel clockwise to move the lower clamp up against the port-a-filter. **2**
5. Slightly fasten the bolts of the lower clamp. Use the provided T-wrench.

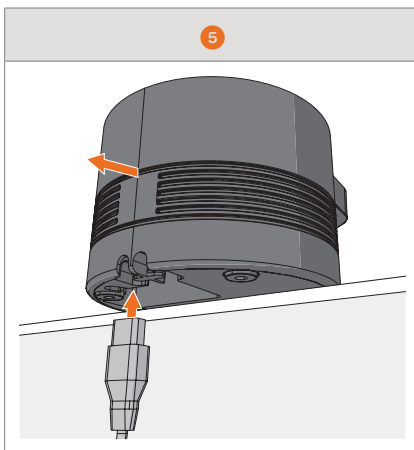


6. Remove the port-a-filter. **3**
7. Fasten the bolts of the lower clamp with the T-wrench. **3**
8. Insert the port-a-filter between the upper and lower clamp and check if the port-a-filter slides in easily.
9. If the port-a-filter slides in too easily, start again at step 2.

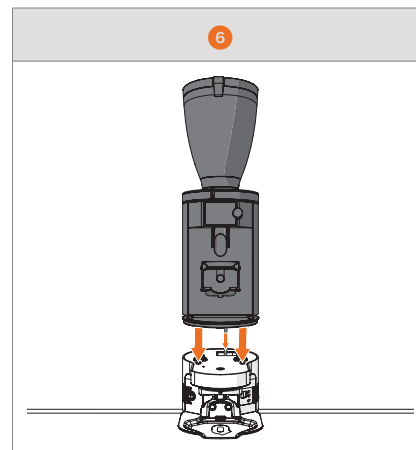


10. Make sure the port-a-filter does not wiggle after adjusting. 4

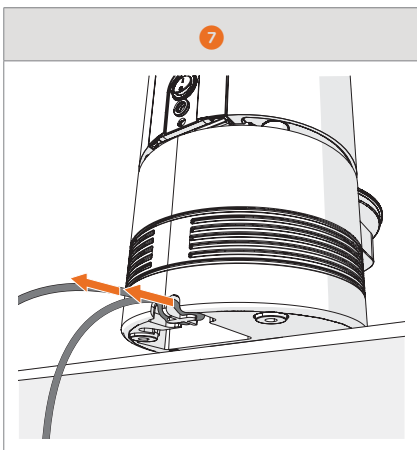
SETTING UP THE COFFEE GRINDER



1. Slide the back of the PUQpress over the edge of the table or bar where you want to set-up. 5
2. Plug the power cable into the PUQpress. 5



3. Lift the coffee grinder with two people and guide the power cable of the coffee grinder from the top to the bottom of the PUQpress. 6
4. Place the coffee grinder on the PUQpress. 6



5. Guide the power cables of the PUQpress and the coffee grinder through a power cable entry. 7
6. Carefully slide the set-up back onto the bar or table.

SWITCHING ON THE PUQPRESS

1. Plug the other side of the power cable into a socket and/or (wall) outlet.
2. Switch on the PUQpress by setting the **on/off switch** to I.

USING THE PUQPRESS

1. Level the grounded coffee in the port-a-filter.
2. Insert the port-a-filter between the upper and lower clamp.
3. The PUQpress automatically starts tamping the coffee. The contactless sensor detects the metal port-a-filter.
4. Wait until the PUQpress has tamped the coffee.
5. Remove the port-a-filter after a full cycle of approximately 1.5 seconds.

ADJUSTING THE TAMPING FORCE

Adjust the tamping force by using the display and the buttons:

1. Press the **up button** to increase the force.
2. Press the **down button** to decrease the force.

CLEANING THE PUQPRESS

Clean the housing of the PUQpress with a damp cloth. Refer to the table for an overview of the cleaning intervals.

Part	Cleaning method	Cleaning interval
Tamper base (bottom)	Dry cloth	Daily
Tamper base (whole)	Dry cloth	Weekly
Upper clamp cavity (when tamper base is removed)	Dry cloth	Weekly
Contactless sensor	Brush	Daily

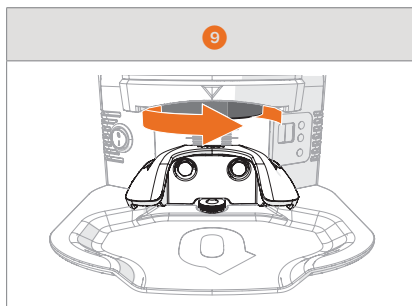
CLEANING THE TAMPER BASE

Clean the tamper base regularly:

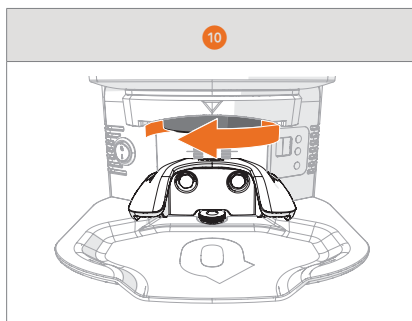
1. Press the **set button**. The tamper base moves down in the cleaning position.
2. Turn the coffee grinder 90 degrees.



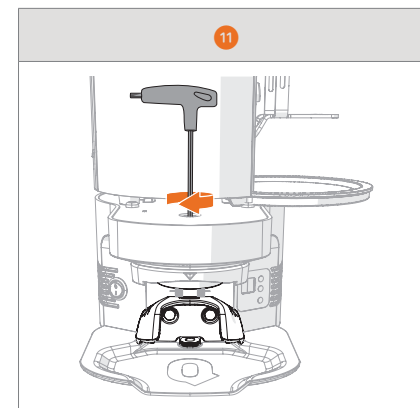
3. Unscrew the tamper base bolt by turning the Allen key counter-clockwise. **8**
4. Remove the bolt.



5. Unscrew the tamper base by turning it counter-clockwise. **9**
6. Clean the tamper base using a brush or dry cloth.



7. Screw the tamper base back by turning it clockwise. **10**
8. Place the bolt.



9. Screw the bolt back by turning the Allen key clockwise. **11**
10. Turn the coffee grinder back to the original position.
11. Press the **set button** again. The tamper base moves upwards to the original position.

PUQ[®]
PRESS

precision
coffee
tamper

PUQpress is a product of Barista Technology B.V.



Barista Technology B.V.

info@baristatechnology.com

Kotterstraat 14, 3133 KW Vlaardingen, The Netherlands

[PUOPRESS.COM](https://www.puopress.com)