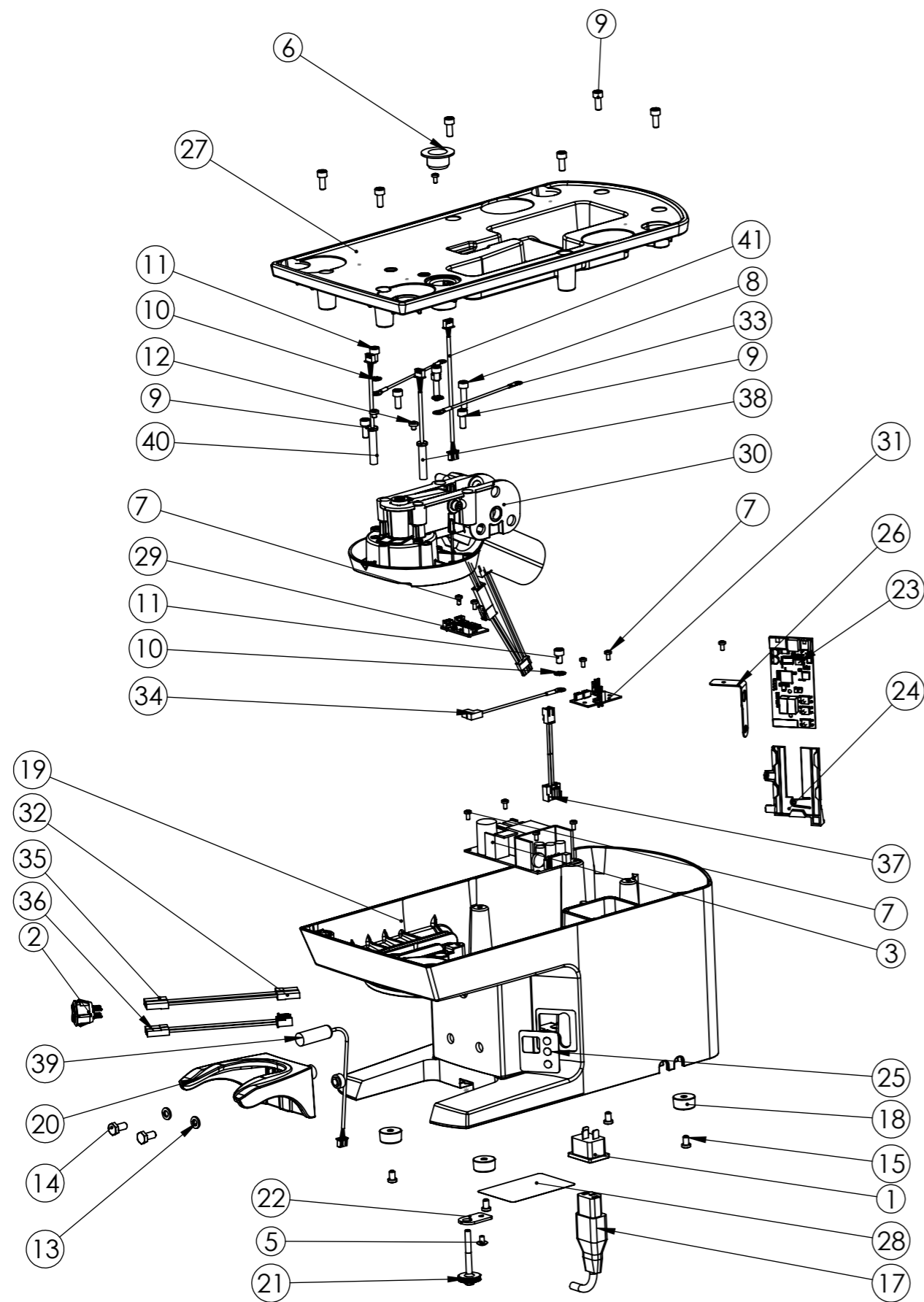


REVISIONS			
REV.	DESCRIPTION	DATE	APPROVED
A	Released for production	21-9-2018	L.Pluimers



ITEM NO.	PART NUMBER	DESCRIPTION	QTY.
1	1-110-0015-1	IEC-320-C14 Euro socket	1
2	1-110-0014-1	On/off switch, double poles switching	1
3	1-110-0001-1	AC/DC converter	1
4	1-110-0025-1	Rivet bush crimp nut, steel	2
5	1-110-0099-1	Slotted mushroom head screw M4x6	1
6	1-110-0129-1	Rubber plug for grounding connection hole	1
7	1-110-0022-1	Cross head screw M3x8	11
8	1-110-0084-1	Hexagon head cap screw M5x16	2
9	1-110-0088-1	Hexagon head cap screw, M5x12	9
10	1-110-0032-1	Toothed lock washer M5	3
11	1-110-0028-1	hexagon head cap screw M5x8	3
12	1-110-0133-1	Cross head screw m4x4	2
13	1-110-0036-2	Plain washer M6	2
14	1-110-0078-1	Hexagon head cap screw M5x14	2
15	1-110-0122-1	Thread rolling screw M5x8	4
16	1-110-0073-1	Metal screw 2.9x12	1
17	1-110-0016-1	Power cable, various plug type available	1
18	1-210-0213-1	Rubber foot 20mm	4
19	1-210-0187-11	Main body - M2	1
20	1-210-0029-3	Lower clamp - Fine adjust (matt chromium)	1
21	1-210-0208-1	Shaft lower clamp adjustment - M2	1
22	1-210-0209-1	Bracket for lower clamp adjustment - M2	1
23	1-210-0101-1	Motor controller	1
24	1-210-0026-1	Motor controller - support frame	1
25	1-210-0065-2	Display sticker - M2	1
26	1-210-0210-1	Motor controller bracket - M2	1
27	1-210-0193-5	Top plate - M2	1
28	1-210-0064-1	Product label - M2	1
29	1-210-0099-1	Sensor controller board	1
30	1-310-0007-2	Drive unit - M-line - 58mm (for exploded view see dwg Drive unit)	1
31	1-410-0021-1	Junction box - M-line	1
32	1-410-0014-1	On/Off switch cable - brown - M-line	1
33	1-410-0009-3	Earthing cable DC motor	2
34	1-410-0005-2	Grounding cable	1
35	1-410-0013-1	On/Off switch cable - blue	1
36	1-410-0015-2	Input cable converter - M-line	1
37	1-410-0016-5	Connection cable junction box	1
38	1-410-0024-1	Induction sensor 6.5mm + connector (short)	1
39	1-410-0022-1	Induction sensor + connector	1
40	1-410-0025-1	Induction sensor 6.5mm + connector (long)	1
41	1-410-0026-1	Cable to sensor connection board + connectors	1

Geometric dimensioning and tolerancing according to NEN-ISO1101 and NEN-ISO 2768-1	FINISH:	DO NOT SCALE DRAWING	DEBUR AND BREAK SHARP EDGES
			SCALE:1:20
Barista Technology B.V. Oostelijke handelskade 731 1019 BW Amsterdam The Netherlands		Part name: <b>Puqpress - M2</b>	
		MATERIAL:	Part number.: 3-000-0101-1
WEIGHT: 7.6kg		Doc: 110-1	A3 Page: 1 of 1