

# Design update

## Upper clamp

For Sanremo and Rancilio portafilters

Date: 09-08-2022

# Problem with Sanremo/Rancilio portafilters (1)



Standard portafilters have the same handle and filter basket outer diameter.

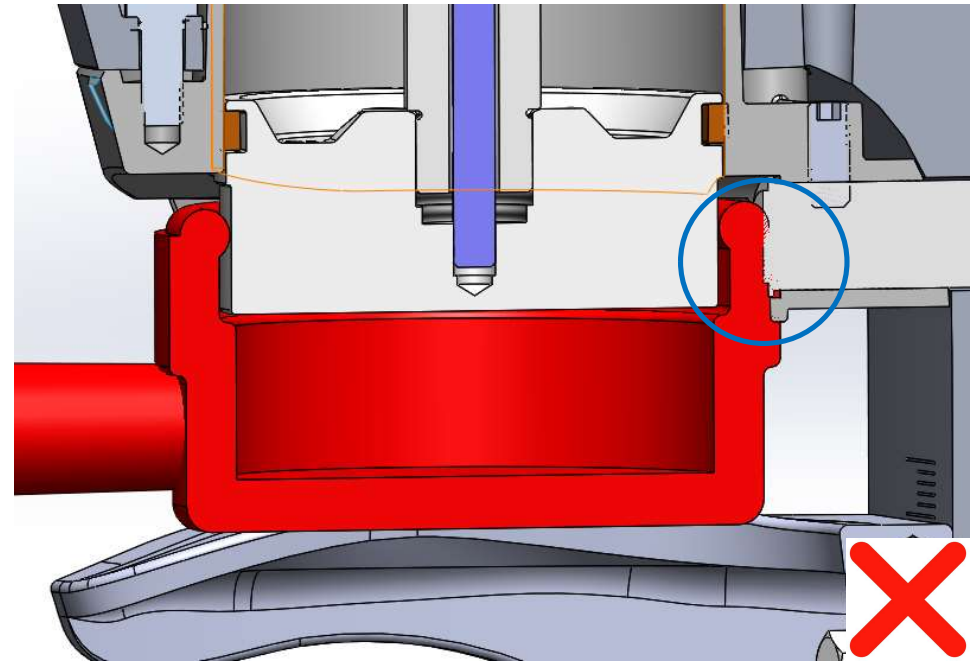


Sanremo/Rancilio portafilters (red line) have a bigger diameter than the filter basket (blue line)

## Problem with Sanremo/Rancilio handles (2)



The portafilter hits the sensor, while the filter basket is not in center of tamper base yet.

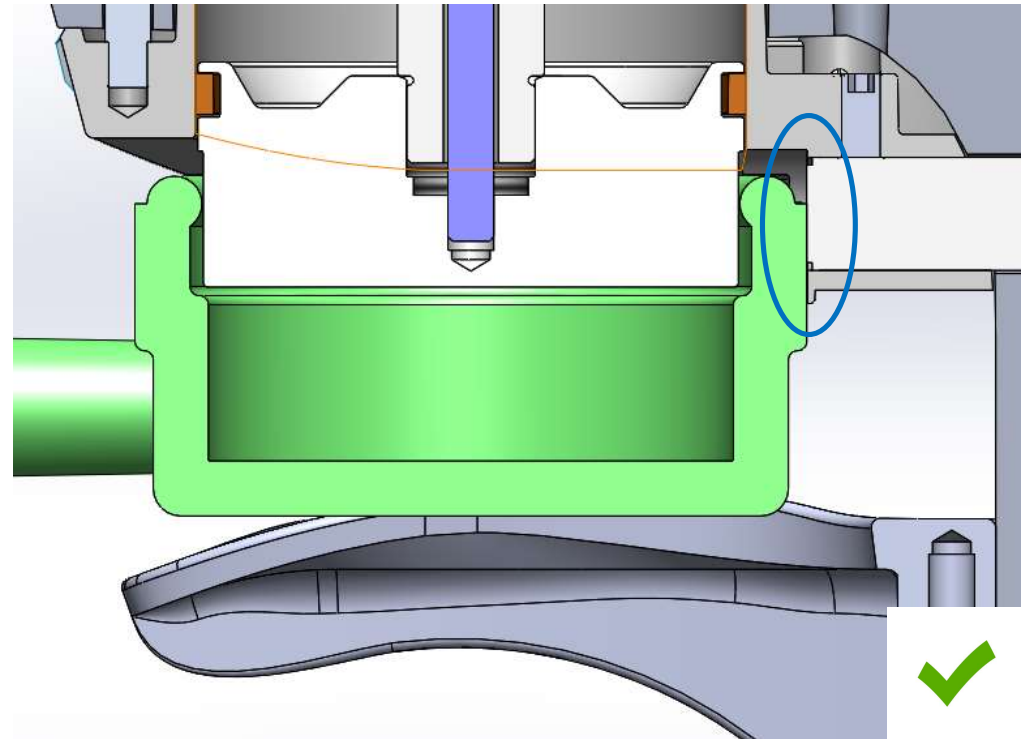


Section view PUQpress Q2: Filter basket is in center of tamper base, but the portafilter hits the sensor (blue circle)

# Solution



The solution is to remove material from the sensor mount as is shown in the blue circle.



The portafilter is in center of the tamper base and doesn't hit the sensor.

# Model and spare parts codes

Model name	Model codes	Spare part code / name
mini	7-000-0*07-1 (black) 7-000-0*17-1 (white)	1-210-0406-1 Upper clamp - 71mm - mini - Rancilio/SanRemo
Q1	1-000-0*17-3 (black) 1-000-0*27-3 (white)	1-210-0405-1 Upper clamp - 71mm - Q1/Q2 - Rancilio/SanRemo
Q2	1-000-1*17-3 (black) 1-000-1*27-3 (white)	1-210-0405-1 Upper clamp - 71mm - Q1/Q2 - Rancilio/SanRemo
M2	3-000-0*07-1 (black) 3-000-0*17-1 (Pearl white)	1-210-0404-1 Upper clamp - 71mm - M1/M2 - Rancilio/SanRemo
M3	4-000-0*07-1 (black) 4-000-0*17-1 (white)	1-210-0402-1 Upper clamp - 71mm - M3/M4/5 - Rancilio/SanRemo
M4	5-000-0*07-1 (black) 5-000-0*17-1 (white)	1-210-0402-1 Upper clamp - 71mm - M3/M4/5 - Rancilio/SanRemo
M5	6-000-0*07-1 (black) 6-000-0*17-1 (white)	1-210-0402-1 Upper clamp - 71mm - M3/M4/M5/M6 - Rancilio/SanRemo
M6	8-000-0*07-1 (black) 8-000-0*17-1 (white)	1-210-0402-1 Upper clamp - 71mm - M3/M4/M5/M6 - Rancilio/SanRemo

\* = power cable type