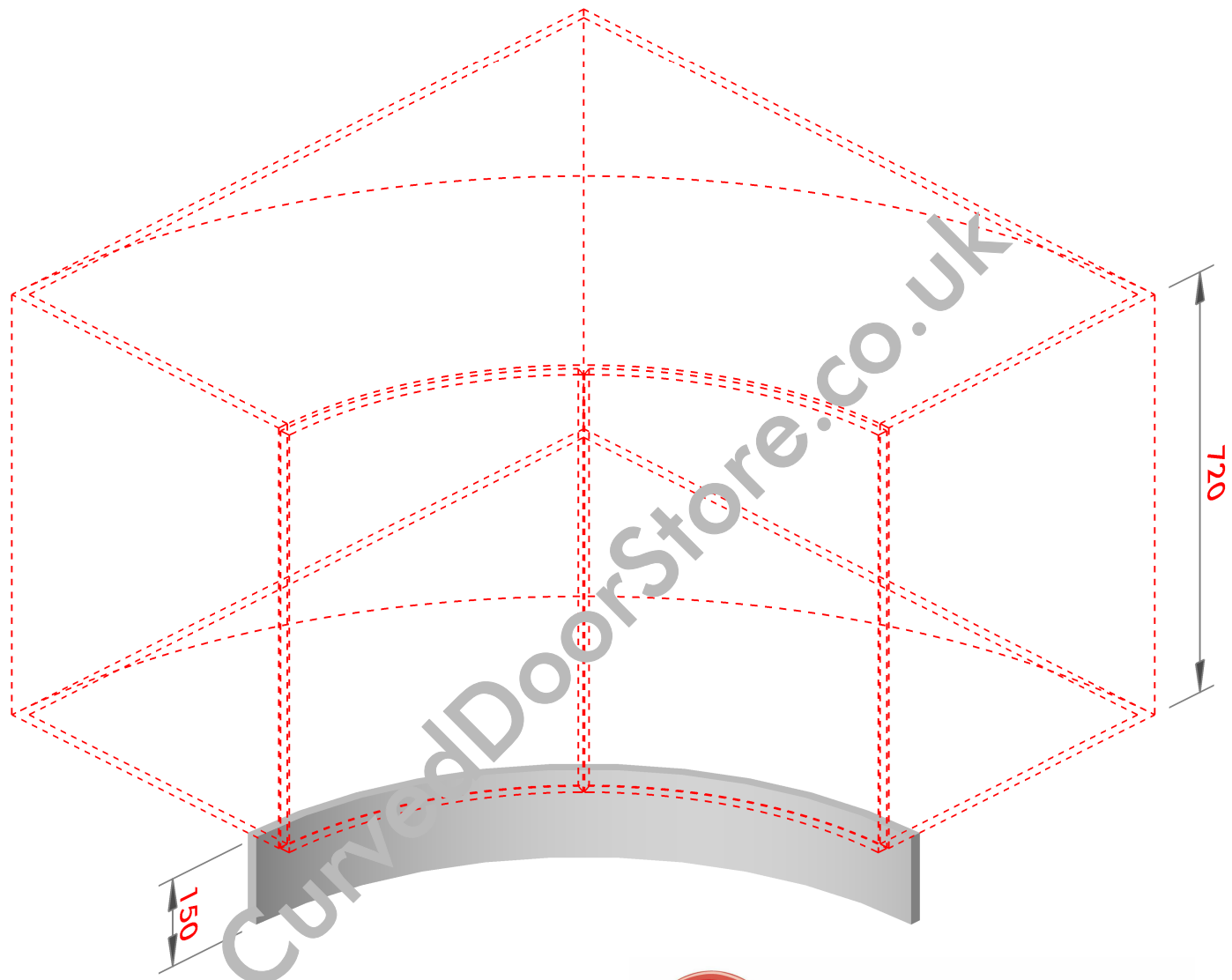


Product Code 11
640mm Internal (Concave) Plinth



3D VIEW
(All sizes in mm)