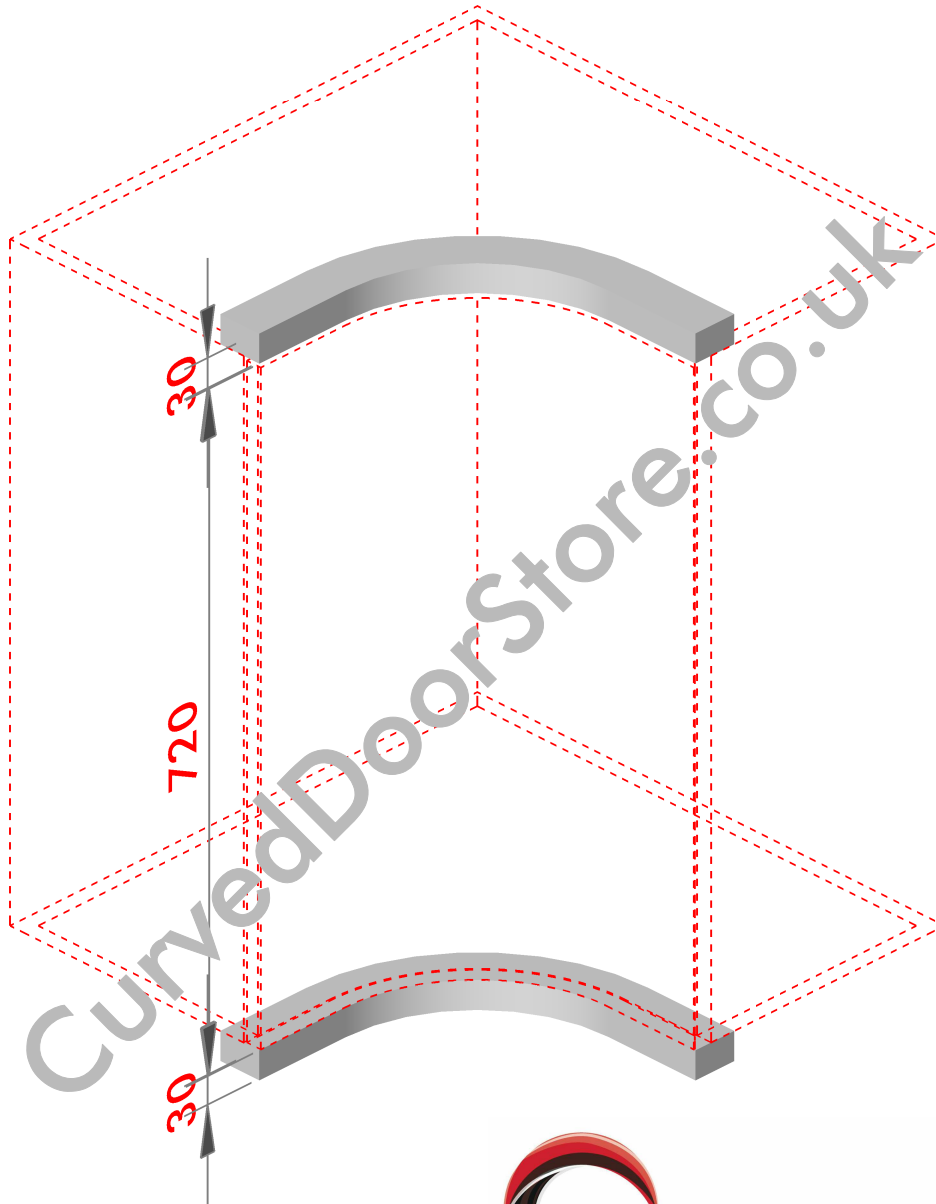


Product Code 09-30mm
300mm Internal (Concave) Cornice



3D VIEW
(All sizes in mm)