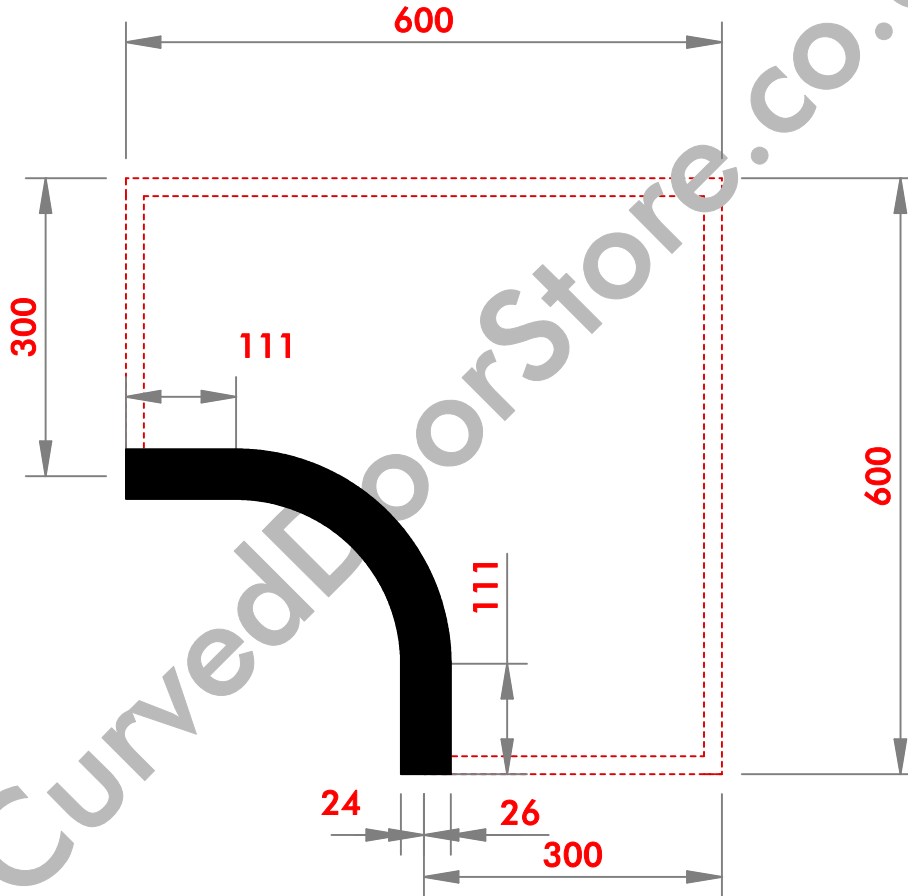


# Product Code 09-22mm 300mm Internal (Concave) Cornice



**\* DIMENSIONS ARE TO CARCASE**  
**PLAN VIEW ON CARCASE**  
(All sizes in mm)