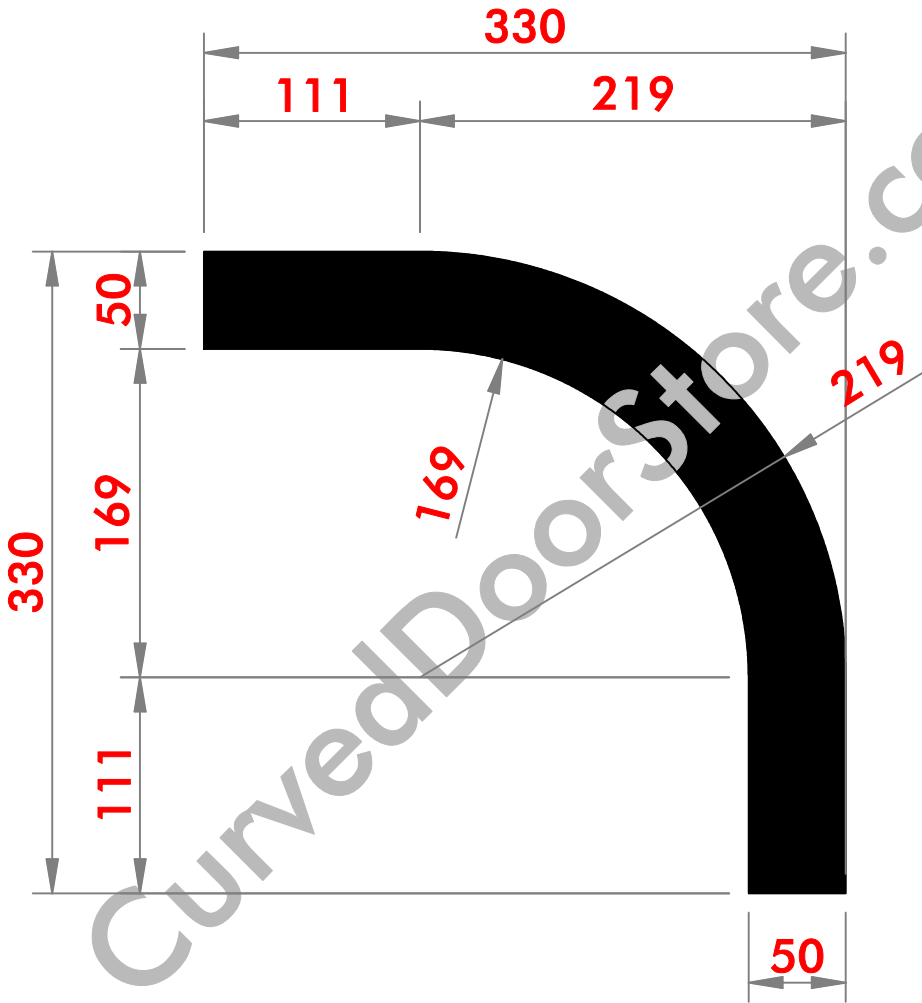


Product Code 09-18mm
300mm Internal (Concave) Cornice



PLAN VIEW OF CORNICE
(All sizes in mm)