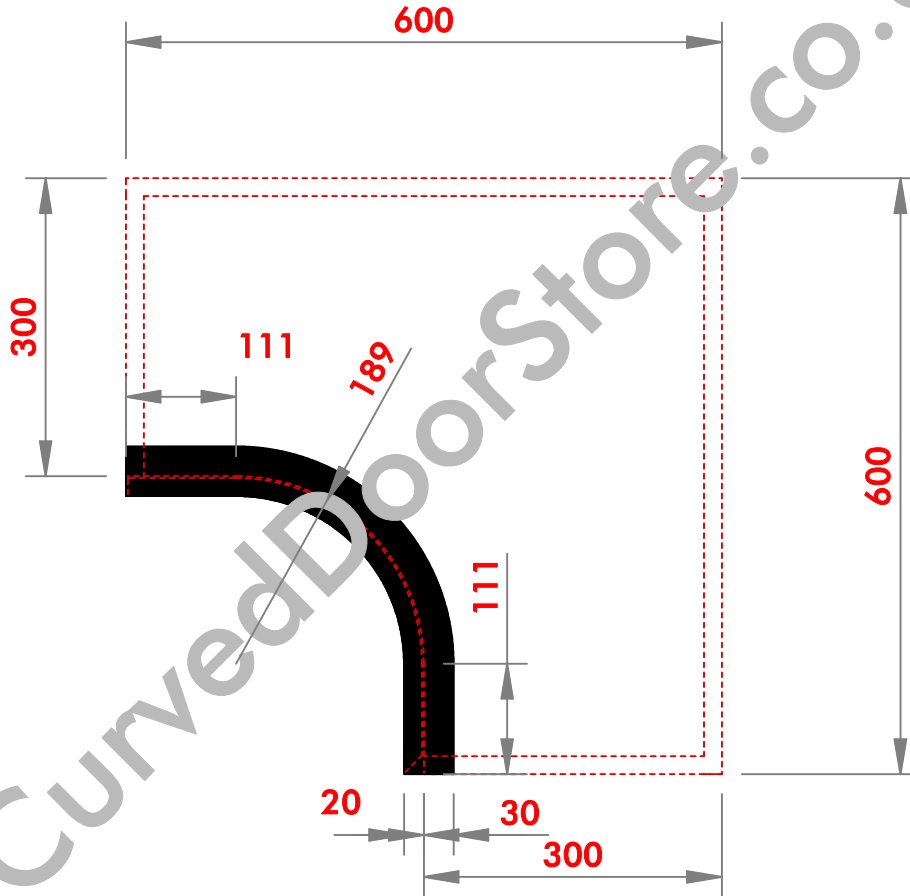


Product Code 09-18mm 300mm Internal (Concave) Cornice



* DIMENSIONS ARE TO CARCASE
PLAN VIEW ON CARCASE
(All sizes in mm)