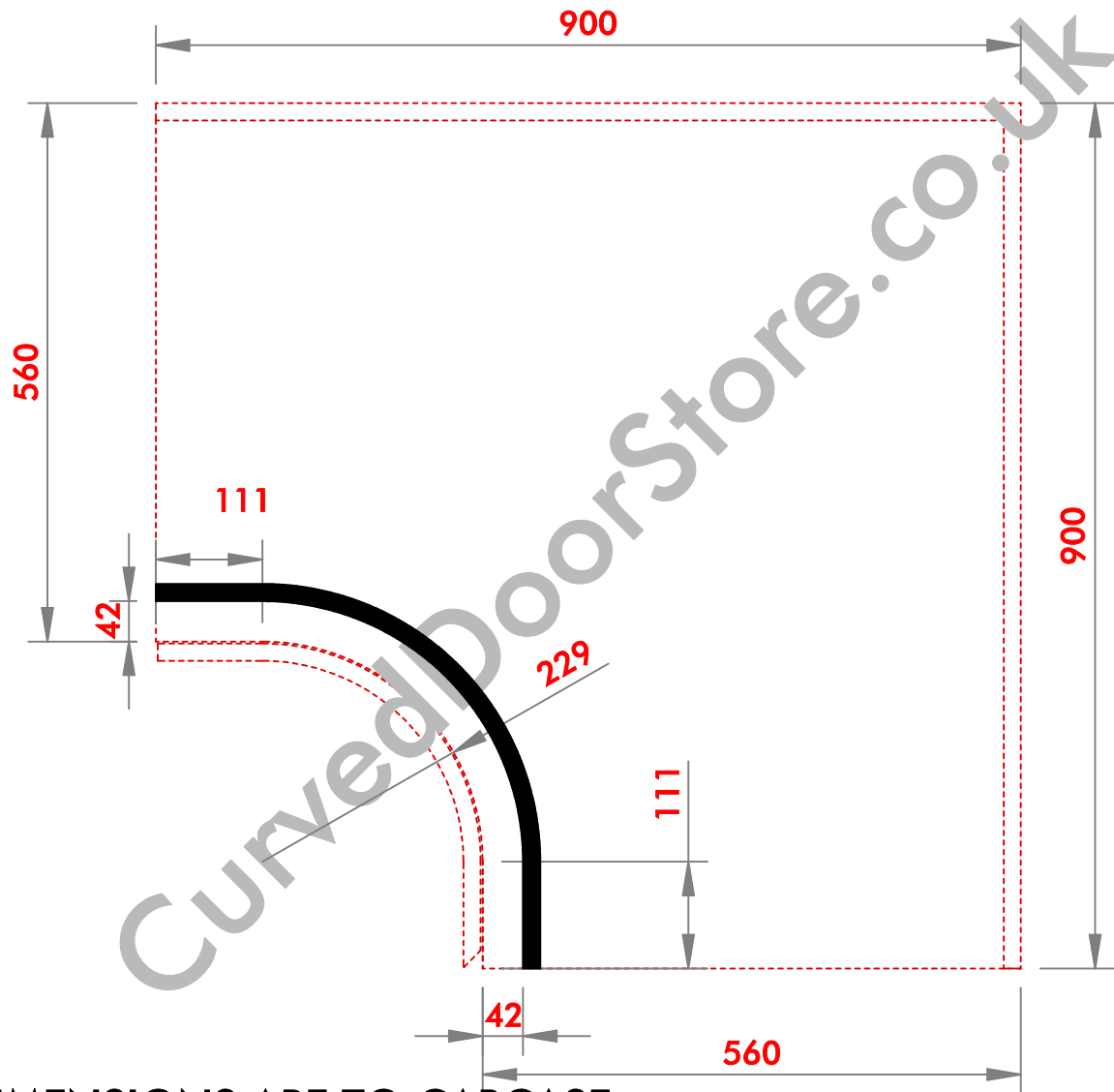


Product Code 07-22mm 340mm Internal (Concave) Plinth



*** DIMENSIONS ARE TO CARCASE**
PLAN VIEW ON CARCASE
(All sizes in mm)