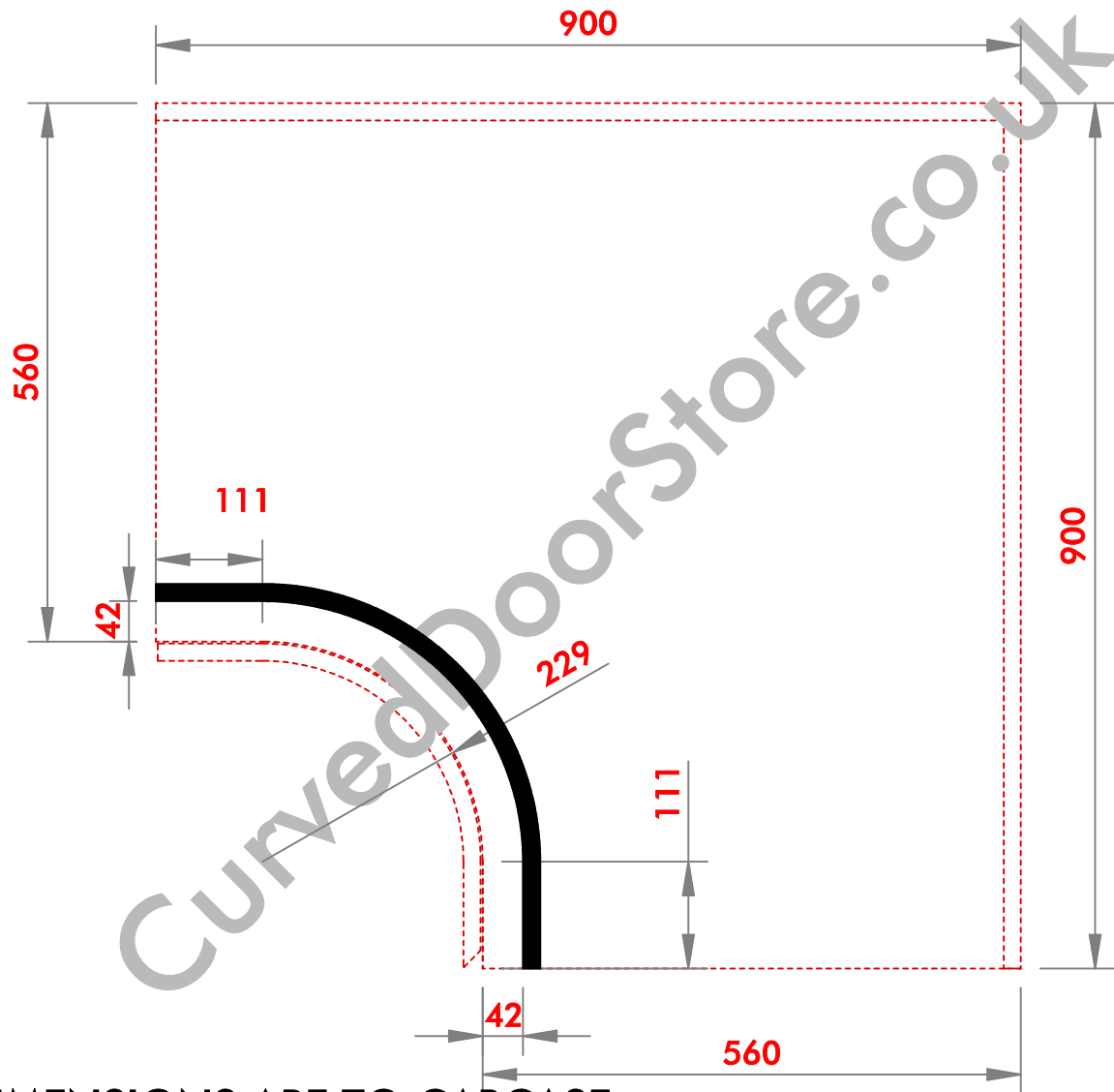


# Product Code 07-18mm 340mm Internal (Concave) Plinth



**\* DIMENSIONS ARE TO CARCASE**  
**PLAN VIEW ON CARCASE**  
(All sizes in mm)