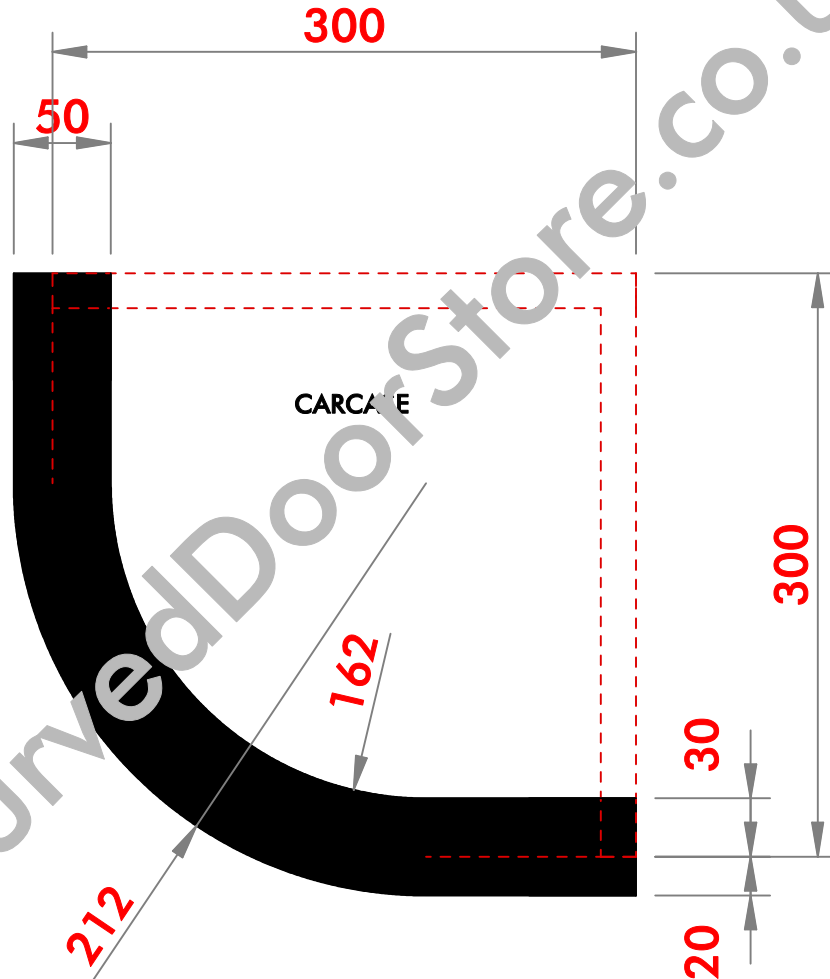


Product Code 03-18mm
300mm External (Convex) Cornice



* DIMENSIONS ARE TO CARCASE

PLAN VIEW ON CARCASE
(All sizes in mm)