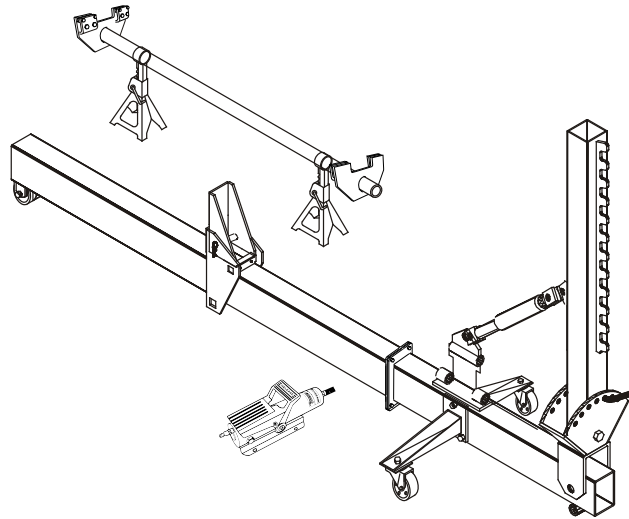




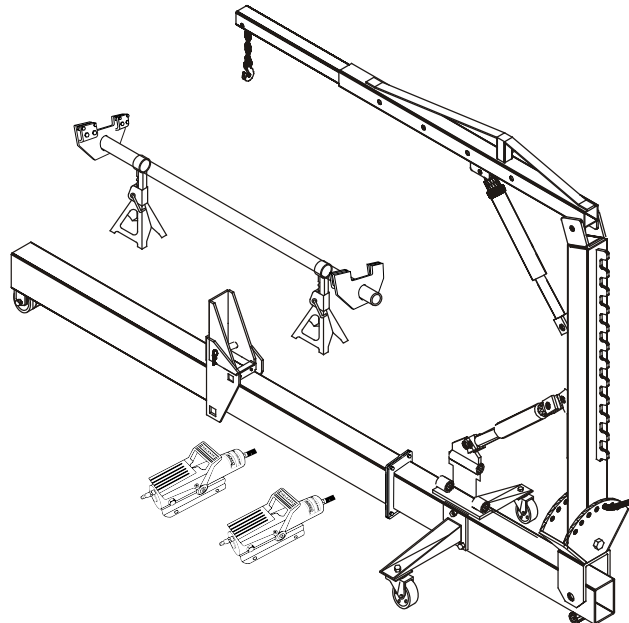
www.jackco.com

853/859 - Body Straightener with 10 Ton Hydraulic System

Owners's Manual & Safety Instructions



Model 853




Model 859

WARNING

Read this material before using this product. Failure to do so can result in serious injury. SAVE THIS MANUAL.

Visit our website at: <http://www.jackco.com>
Email our technical support at: techsupport@jackco.com

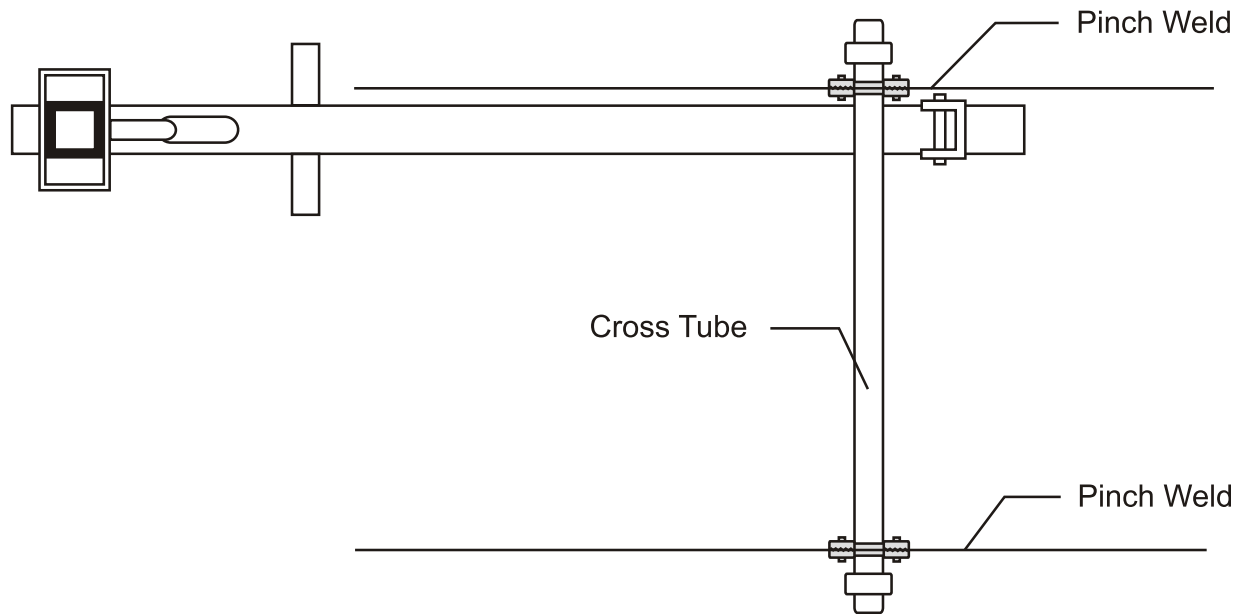
 **Prop. 65 Warning
for California Residents**
This product may contain chemicals known to the State of California to cause cancer, birth defects, or other reproductive harm.

General Safety Warnings and Precautions

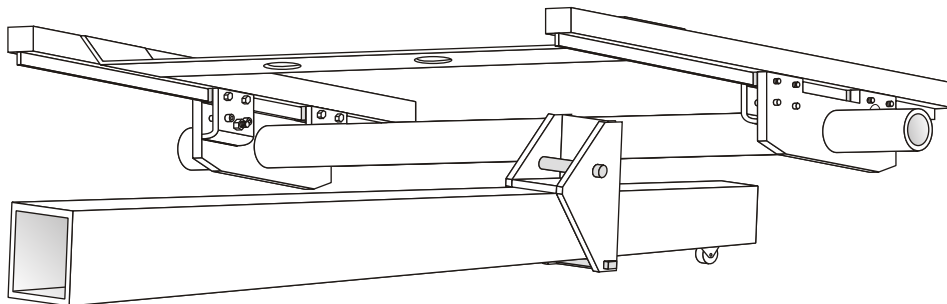
- **KEEP WORK AREA CLEAN AND DRY.** Cluttered, damp or wet work areas invite injuries.
- **KEEP CHILDREN AWAY FROM WORK AREA.** Do not allow children to handle this product. Do not allow children in the work area.
- **STORE IDLE EQUIPMENT.** When not in use, tools and equipment should be stored in a dry location to inhibit rust. Always lock up tools and equipment and keep out of reach of children.
- **DO NOT USE THIS PRODUCT IF UNDER THE INFLUENCE OF ALCOHOL OR DRUGS.** Read warning labels on prescriptions to determine if your judgement of reflexes are impaired while taking drugs. If there is any doubt, do not attempt to use this product.
- **USE EYE PROTECTION.** Wear ANSI approved safety impact eye glasses when using this product.
- **DRESS SAFELY.** Non-skid footwear or safety shoes should be used when working with this product. Do not wear loose clothing or jewelry as they can become caught in moving parts. Wear a protective hair covering to prevent long hair from becoming caught in moving parts. If wearing a long-sleeve shirt, roll sleeves up above elbows.
- **DO NOT OVERREACH.** Keep proper footing and balance at all times to prevent tripping, falling, back injury, etc.
- **STAY ALERT.** Watch what you are doing at all times. Use common sense. Do not use this product when you are tired or distracted from the job at hand.
- **CHECK FOR DAMAGED PARTS.** Before using this product, carefully check that it will operate properly and perform its intended function. Check for damaged parts and any other conditions that may affect the operation of this product. Replace or repair damaged or worn parts immediately.
- **MAINTAIN THIS PRODUCT FOR THE RIGHT JOB.** There are certain applications for which this product was designed. Do not use small equipment, tools or attachments to do the work of larger industrial equipment. Do not use this product for a purpose for which it was not intended.

How to Set Up The Frame Straightener

Frames and bodies are bent and distorted by collision with a relatively large area of the car bearing the impact. However, the correction procedure utilizes, powerful, concentrated loads at key points which can cause local crushing of frame members, etc., if these points are not properly padded to spread the load over a large area. Illustration of recommended anchoring procedures are shown below for efficient use of the under body anchoring system.



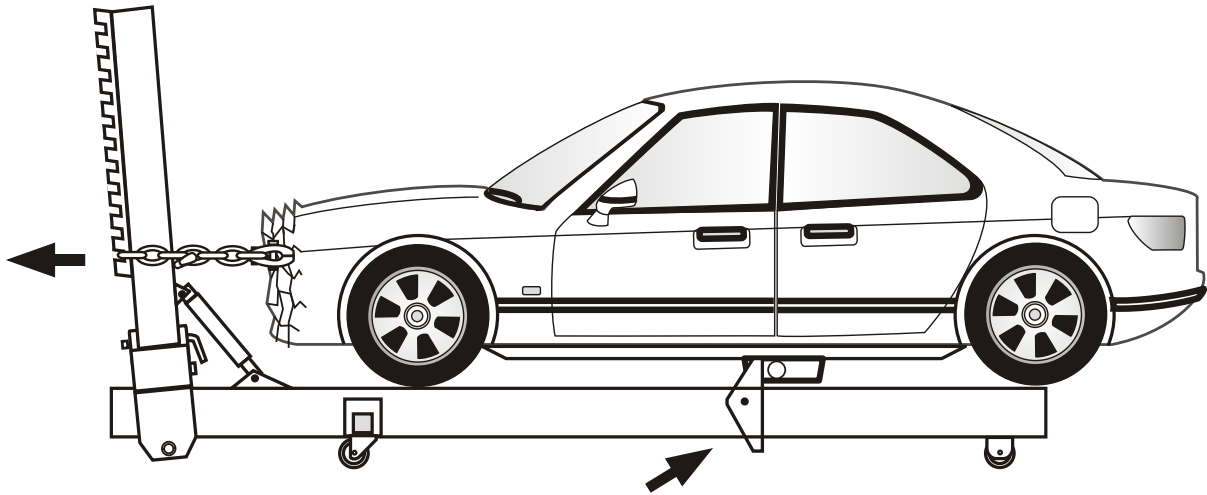
For pulling one side only, it is best to attach the cross tube to both rocker panels. Anchor your body straightener to the cross tube. This will prevent unwanted rolling of the underbody clamps on the pinch weld.



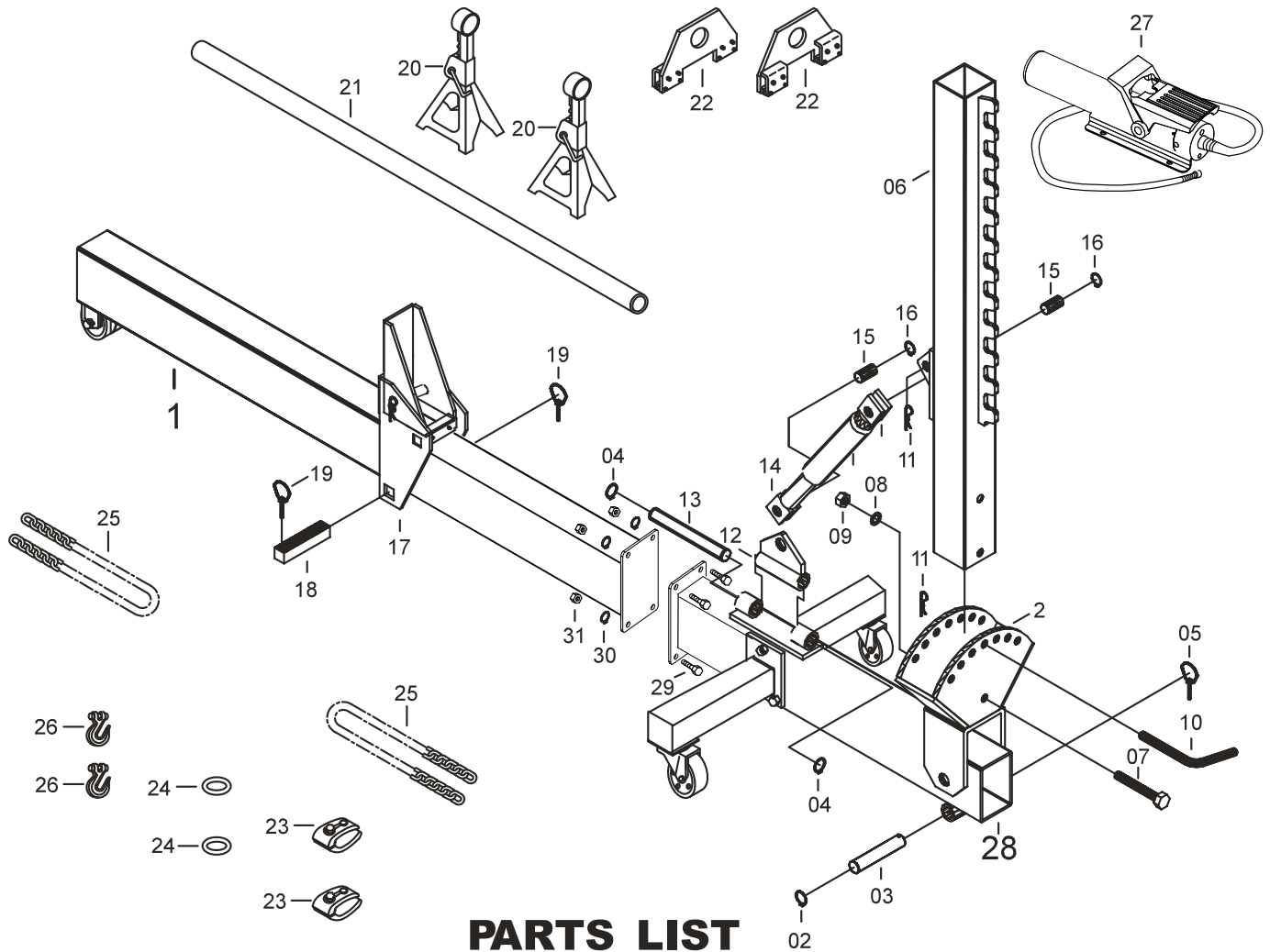
The underbody clamp secures to the pinch welds allow more versatile positioning of the body straightener.

Setup for Frontal Collision

This is a basic pulling and stretching operation. With the car firmly supported on safety stands, place the body straightener under the frame rail to be corrected. Anchor the body straightener to the frame or the pinch weld with underbody clamps.



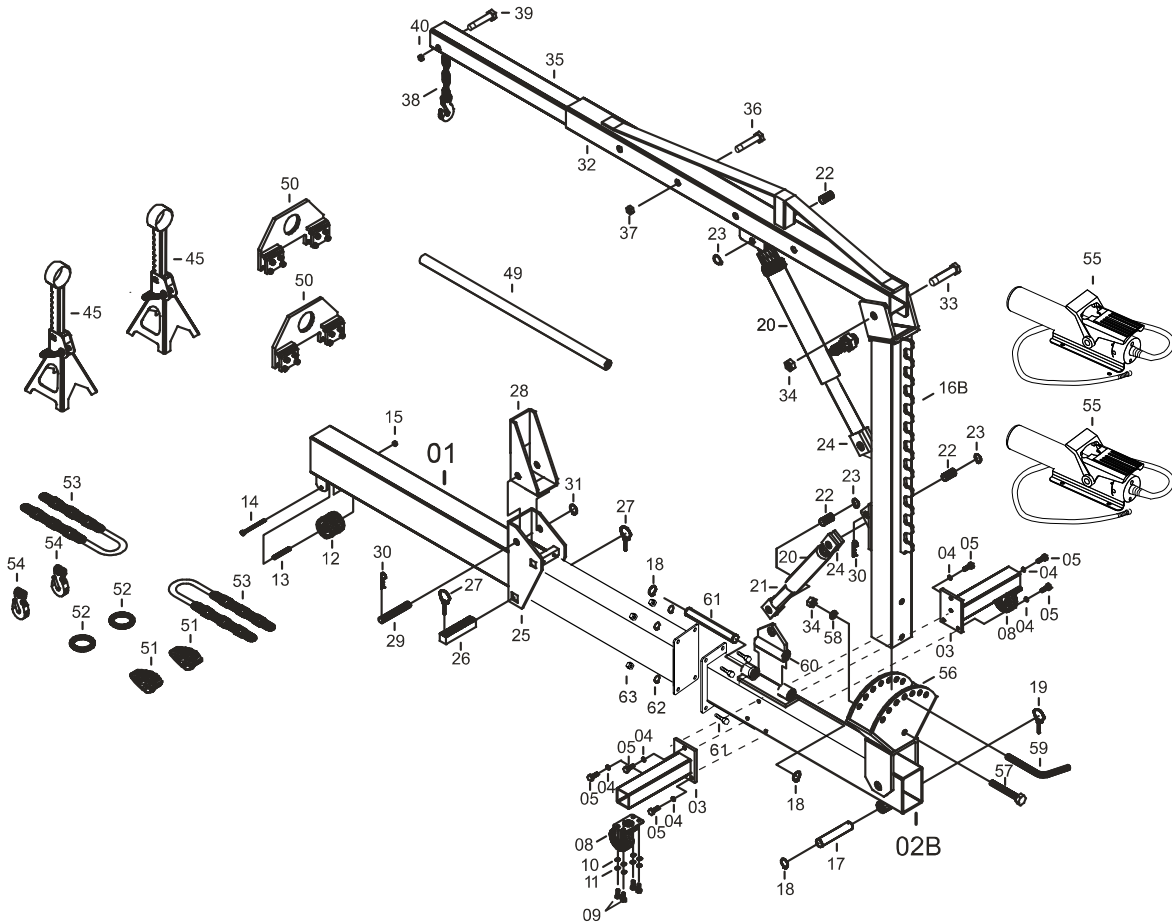
Body Straightener - Model 853



PARTS LIST

PARTS NO	DESCRIPTION	QTY	PARTS NO	DESCRIPTION	QTY
01	MAIN BEAM (LONG)	1	17	MULTI-POSITION ANCHOR POST	1
02	TILTING SUPPORT	1	18	STOP BLOCK	1
03	SPINDLE	1	19	PIN	2
04	SNAP-RING"C"	3	20	SUPPORT STAND	2
05	PIN	1	21	CROSS TUBE	1
06	POST	1	22	UNDERBODY SUPPORT CLAMPS	2
07	BOLT 3*4"X7"	1	23	PULL CLAMPS	2
08	SPRING WASHER	1	24	PULL RING	2
09	NUT 3/4"	1	25	6"X3/8"CHAIN	2
10	LOCK PIN	1	26	3/8 HOOK	2
11	COTTER PIN	4	27	AIR HYDRAULIC FOOT PUMP	1
12	SUPPORT	1	28	MAIN BEAM (SHORT)	1
13	SPINDLE	1	29	BOLT M14*45	4
14	10 TON RAM	1	30	SPRING WASHER 14	4
15	SPINDLE	2	31	NUT M14	4
16	SNAP-RING"C"	2			

Body Straightener with 1.2 Ton Crane - Model 859



PARTS NO	DESCRIPTION	QTY	PARTS NO	DESCRIPTION	QTY
01	MAIN BEAM (LONG)	1	30	COTTER PIN	5
02B	MAIN BEAM (SHORT)	1	31	SNAP-RING"C"	1
03	FRAME CANNULA	2	32	BOOM	1
04	SPRING WASHER 10	6	33	BOLT M20*120L	1
05	BOLT M10*30L	6	34	NUT 3/4"	2
08	CASTER ASS'Y	2	35	BOOM EXTENSION	1
09	BOLT M8*20L	8	36	BOLT M16*90	1
10	SPRING WASHER 8	8	37	NUT M16	1
11	NUT M8	8	38	HOOK AND CHAIN	1
12	FRONT WHEEL	2	39	BOLT M14*80L	1
13	BUSHING	1	40	NUT M14	3
14	BOLT M8*100L	1	45	SUPPORT STAND	2
15	NUT M8	1	49	CROSS TUBE	1
16B	POST	1	50	UNDERBODY SUPPORT CLAMPS	2
17	SPINDLE	1	51	PULL CLAMPS	2
18	SNAP-RING"C"	3	52	PULL RING	2
19	LOCK PIN	1	53	6"X3/8"CHAIN	2
20	CYLINDER	2	54	3/8"HOOK	2
21	ADAPTER	2	55	AIR HYDRAULIC FOOT PUMP	2
22	SPINDLE	4	56	TILTING SUPPORT	1
23	SNAP-RING"C"	4	57	BOLT M18*150L	1
24	ADAPTER	2	58	SPRING WASHER	1
25	MULTI-POSITION ANCHOR POST	1	59	LOCK PIN	1
26	STOP BLOCK	1	60	SUPPORT	1
27	PIN	2	61	BOLT M14*45	4
28	ANCHOR POST UPPER BRACKET	1	62	SPRING WASHER 10	4
29	SPINDLE	1	63	NUT M14	4