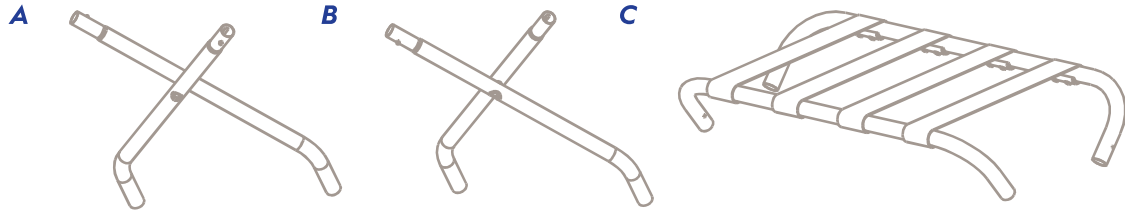


Folding Luggage Rack

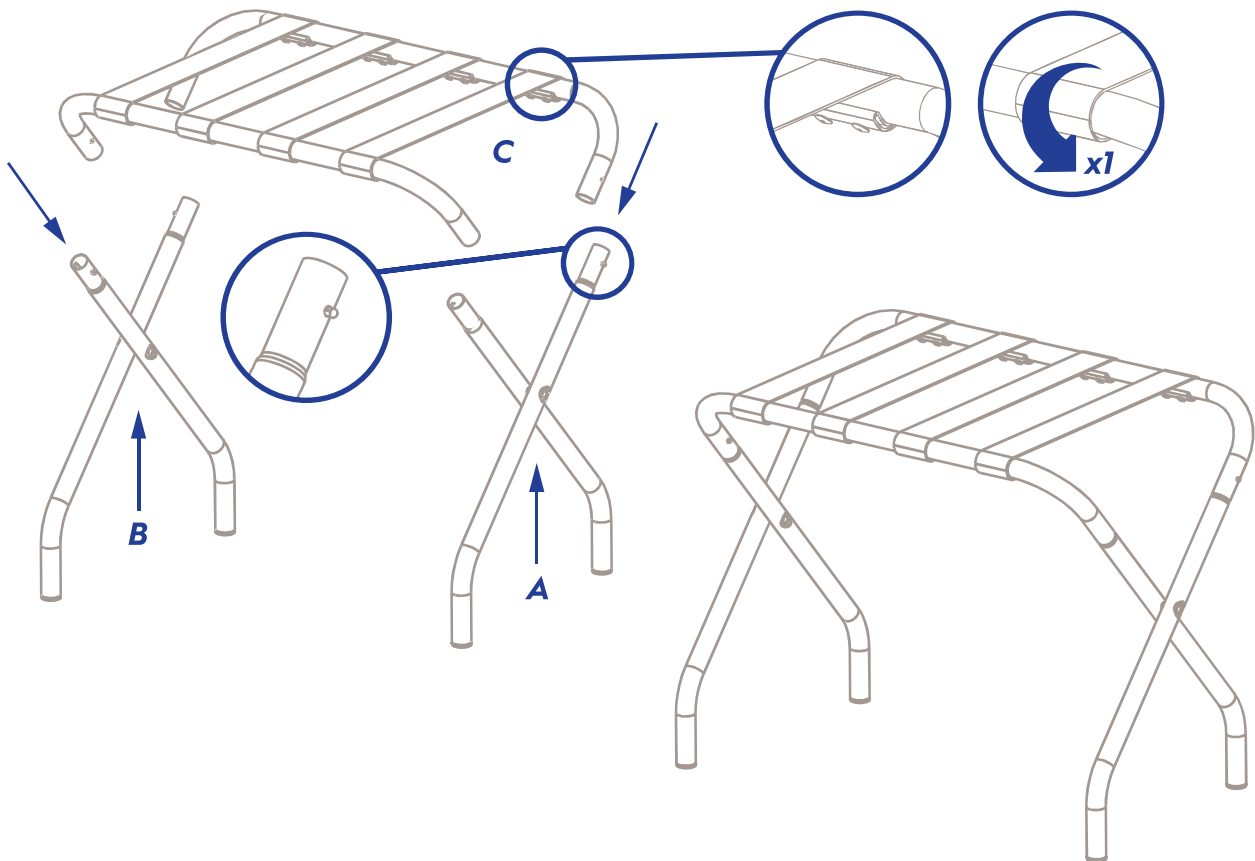
Guide to assembling it!

What you'll get:



1.

Insert Legs **PART A** and **PART B** into the ends of **PART C** using the spring buttons to secure.



Have an issue? Let us help withit!

Here at Rinkit! we love delivering a little bit of everyday happiness to you - and whatever you purchased we hope you enjoyit! We are also always here for you once you have taken delivery of your item and openedit!

Need to returnit? Delivery journey has brokenit? Faulty item? Tell us aboutit! If you have any questions or requests, our customer services team are here ready and waiting, 7 days a week, to help you withit! or guide you throughit! if you need to returnit!

Email hello@rinkit.com (7 days a week) Call (01903) 726 077 (between 0900-1200 and 1300-1700 GMT Monday to Friday)