

# 80cm Floating Shelf

Guide to installing it!

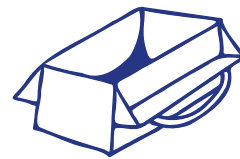
## What you'll get:

- Shelf
- Bracket
- Large Screws
- Small Screws
- Wall Plugs

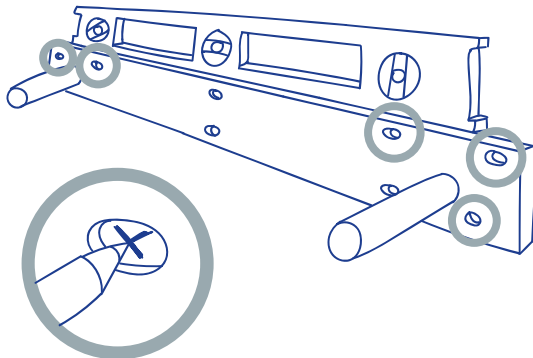


## What you'll need:

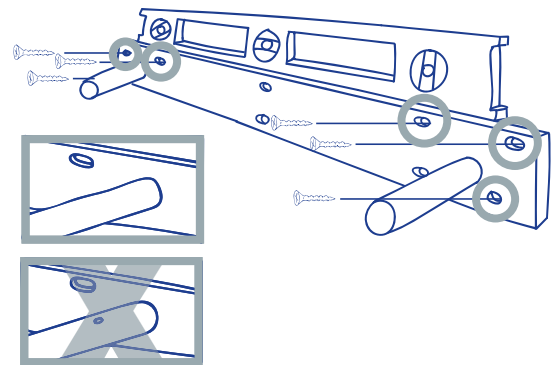
- Phillips Screwdriver
- Hammer
- Pencil
- Spirit Level
- Drill



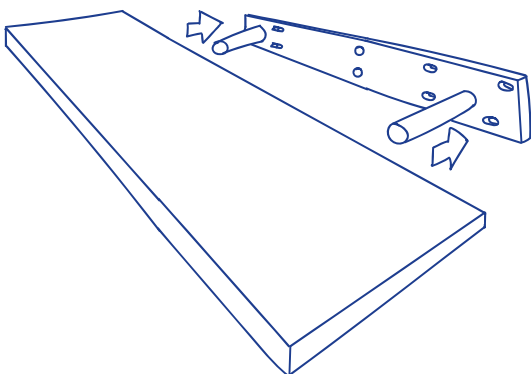
1



2



3



4

