

Office Chair - Black

HH-OC233894 - Guide to assembling it!

WARNINGS FOR ASSEMBLY AND USE

Remove all protective papers and bags - **before** proceeding with assembly, ensure that all parts are present as per the list below and that they are damage free.

Observe the general safety rules during assembly.

Please follow the steps on the reverse of this document carefully, to ensure the item is assembled correctly.

The item should be placed on a solid/flat surface - instability caused by assembling/using on an uneven surface may damage the item and reduce its lifespan.

Before using the item, make sure it has been correctly assembled and that all bolts have been tightened fully.

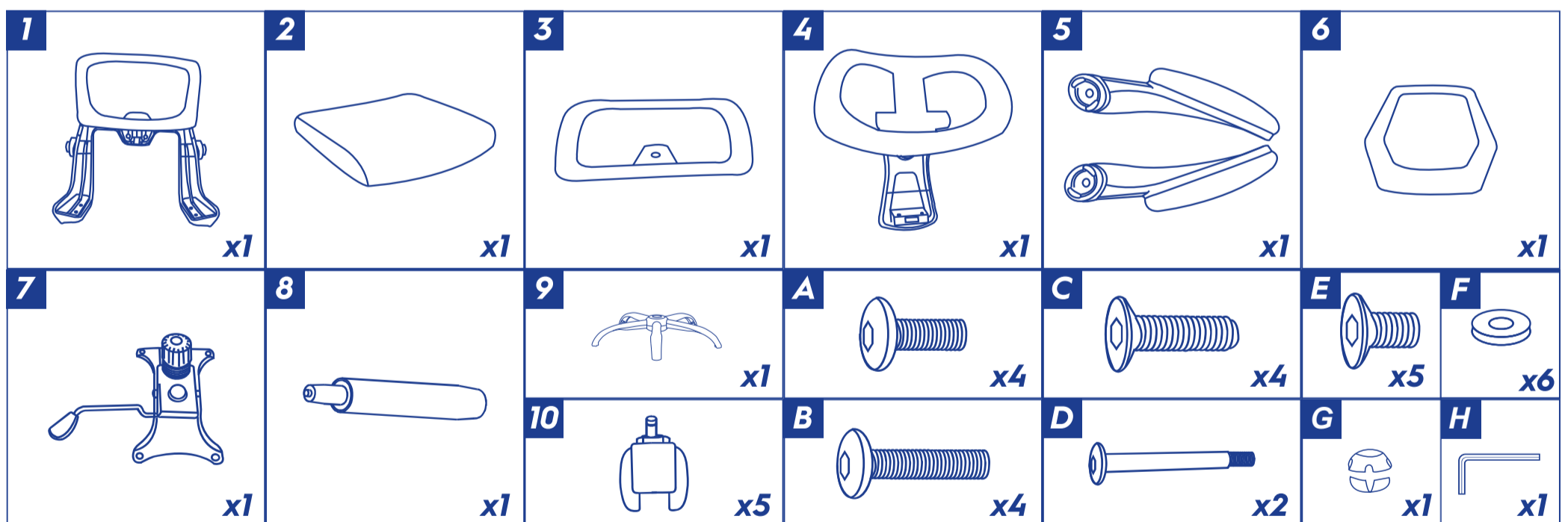
Do not hit any surface with hard and/or sharp objects. Do not climb or stand upon the product.

MAINTENANCE WARNINGS

Keep the object away from heat sources. Do not use aggressive cleaning products. Clean with a damp cloth and dry fully.

In order to keep the items and their metal parts in good condition, please ensure that the product is kept clean and dry.

READ AND SAVE THESE WARNINGS FOR FUTURE REFERENCES



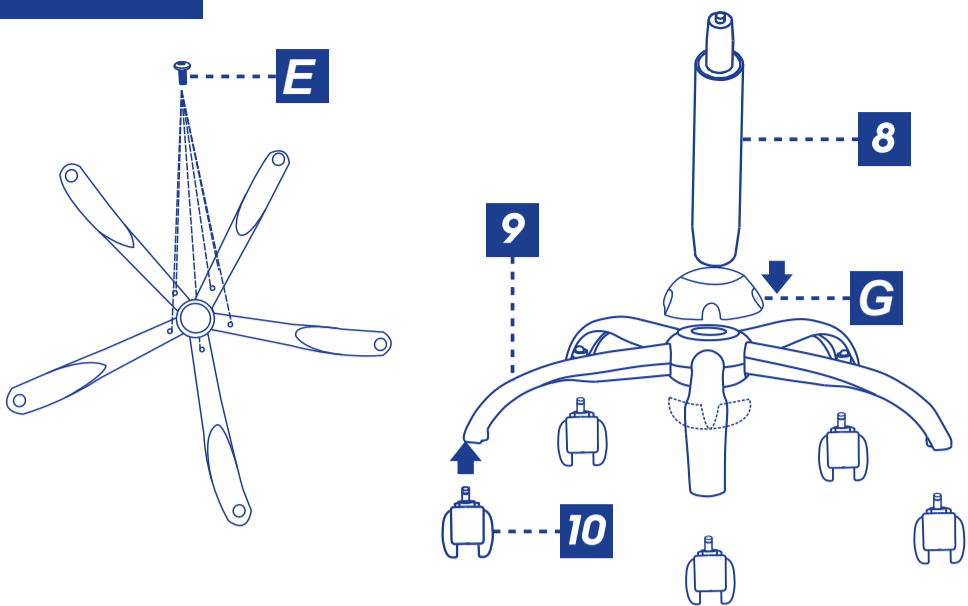
Have an issue? Let us help with it!

Here at Rinkit! we love delivering a little bit of everyday happiness to you - and whatever you purchased we hope you enjoy it! We are also always here for you once you have taken delivery of your item and opened it!

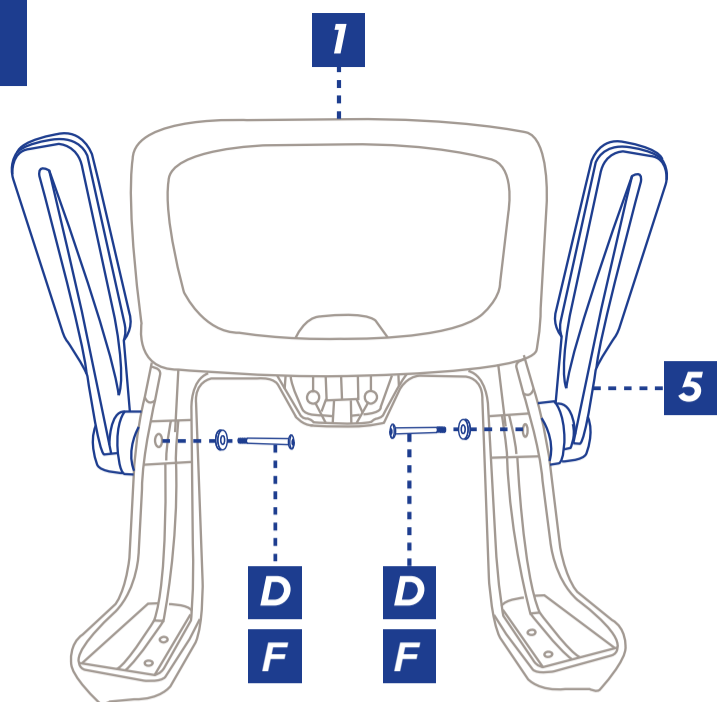
Need to return it!? Delivery journey has broken it!? Faulty item? Tell us about it! If you have any questions or requests, our customer services team are here ready and waiting, 7 days a week, to help you with it! or guide you through it! if you need to return it!

Email hello@rinkit.com (7 days a week) Call (01903) 726 077 (between 0800-1700 GMT Monday to Friday)

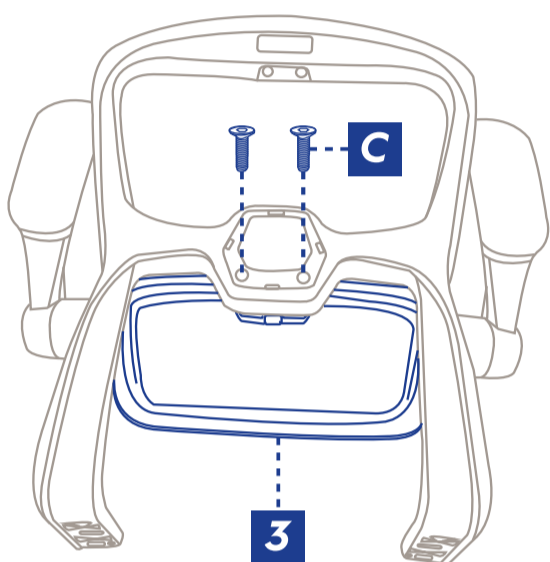
1



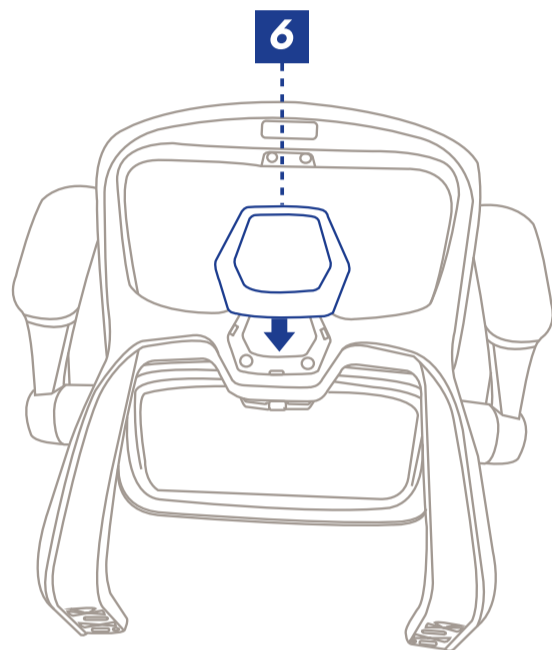
2



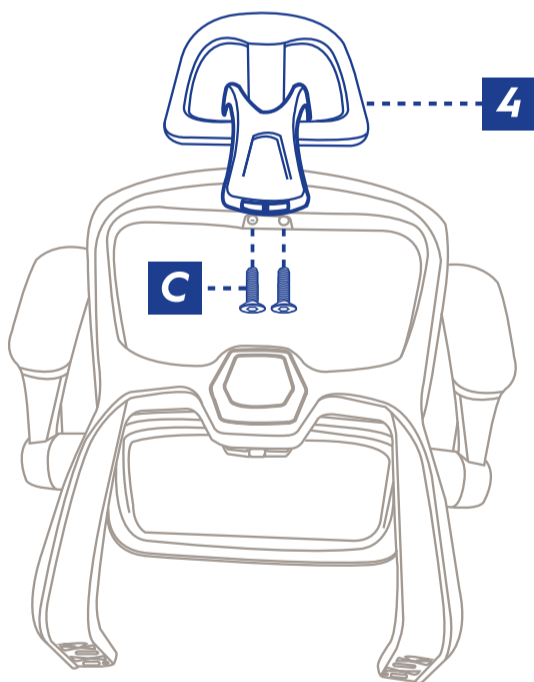
3



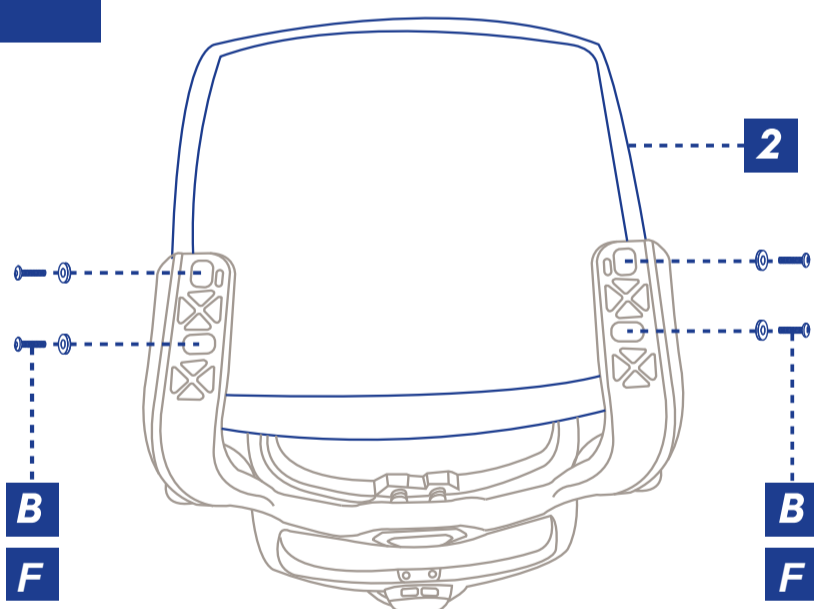
4



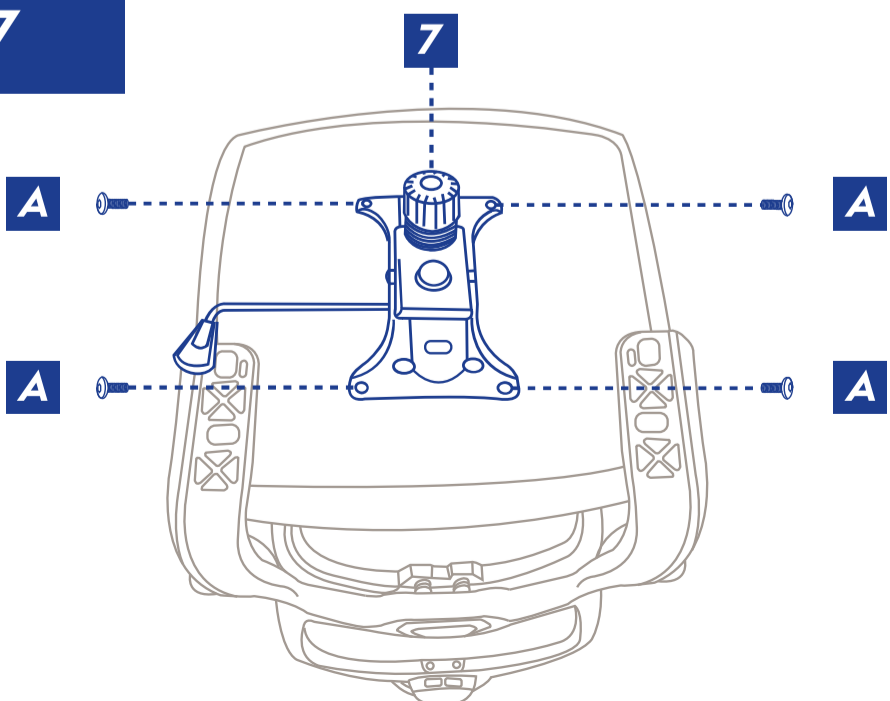
5



6



7



8

