

WARNINGS FOR ASSEMBLY AND USE

The assembly must only be carried out by a competent person. Remove stickers and protective papers before assembly and use. Before proceeding with the assembly, make sure that all components are present in the packaging.

The item should be mounted on level, stable ground. Instability caused by mounting on an uneven surface may damage the item.

Construct frame from the base up, pushing each pole in firmly.

Before fitting cover, check all parts of the frame are fully inserted into the connectors and that zips are open; failure to do this will result in damage to the cover.

Attach cover to the frame by tucking overlaps beneath base and securing ties on all sides.

Should the item be placed in an exposed area, we recommend that the base of the item be weighed down to prevent it from being blown over or damaged by wind.

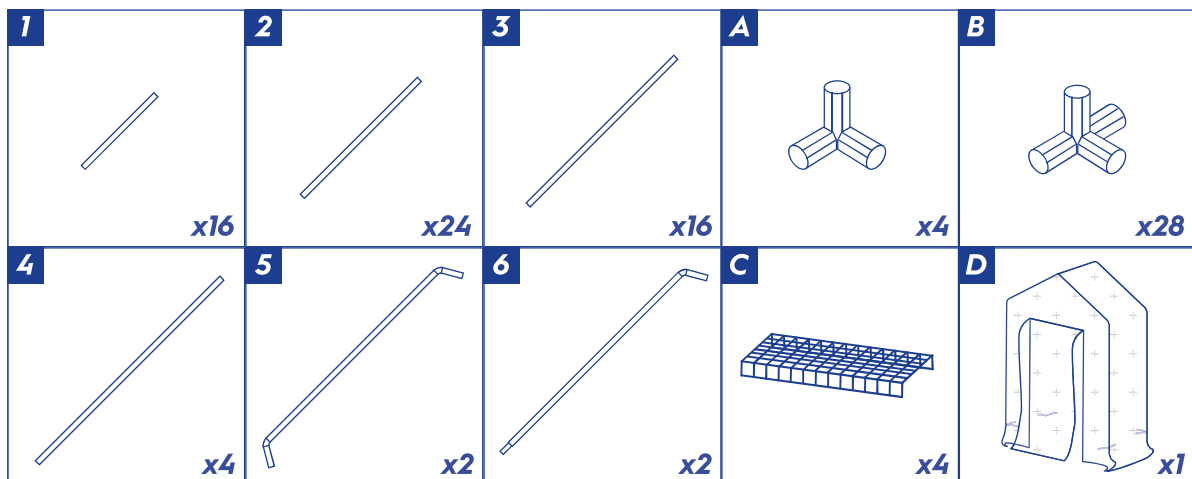
Do not stand on, lean against or use as a climbing aid - this will result in personal injury.

MAINTENANCE WARNINGS

Never place any greenhouse or polytunnel near a heat source, such as a bonfire, firepit or barbecue.

Do not use any abrasive cleaners or brushes that may damage the surface. Wipe clean with a damp cloth and allow all parts to dry fully.

READ AND SAVE THESE WARNINGS FOR FUTURE REFERENCES



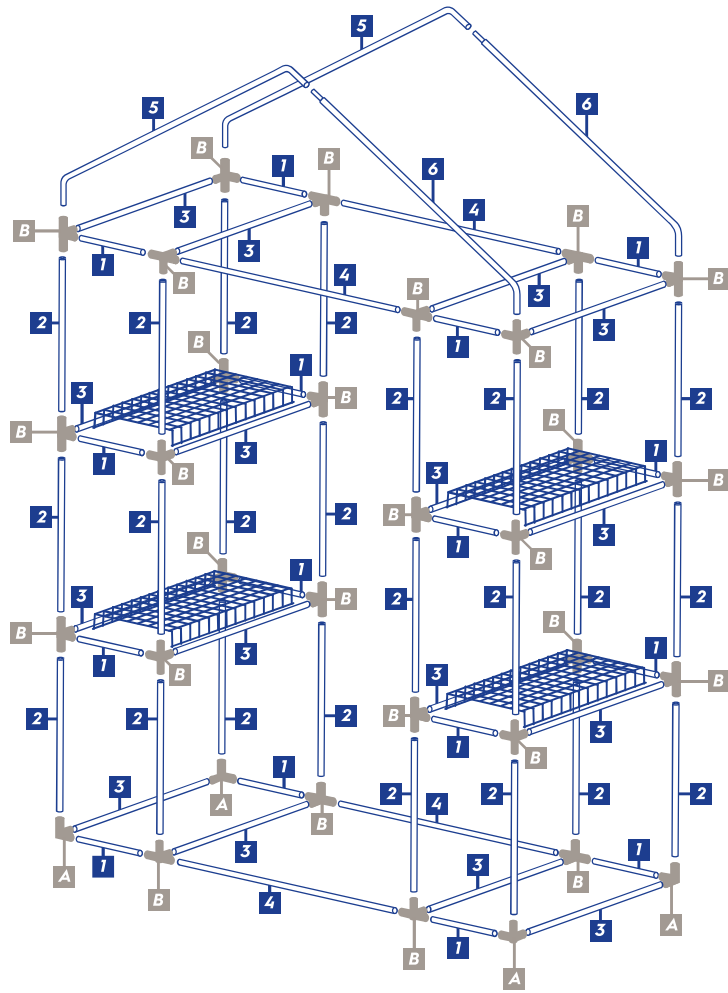
Have an issue? Let us help with it!

Here at Rinkit! we love delivering a little bit of everyday happiness to you - and whatever you purchased we hope you enjoy it! We are also always here for you once you have taken delivery of your item and opened it!

Need to return it? Delivery journey has broken it? Faulty item? Tell us about it! If you have any questions or requests, our customer services team are here ready and waiting, 7 days a week, to help you with it! or guide you through it! if you need to return it!

Email hello@rinkit.com (7 days a week) Call (01903) 726 077 (Monday to Friday)

1



2

