

### WARNINGS FOR ASSEMBLY AND USE

Remove all stickers, protective papers and bags - **before** proceeding with assembly, ensure that all parts are present as per the list below and that they are damage free.

Observe the general safety rules during assembly.

Please follow the steps on the reverse of this document carefully, to ensure the item is assembled correctly.

The item should be placed on a solid/flat surface - instability caused by assembling/using on an uneven surface may damage the item and reduce its lifespan.

Before using the item, make sure it has been fully assembled and that all bolts have been tightened fully (as shown in step 5).

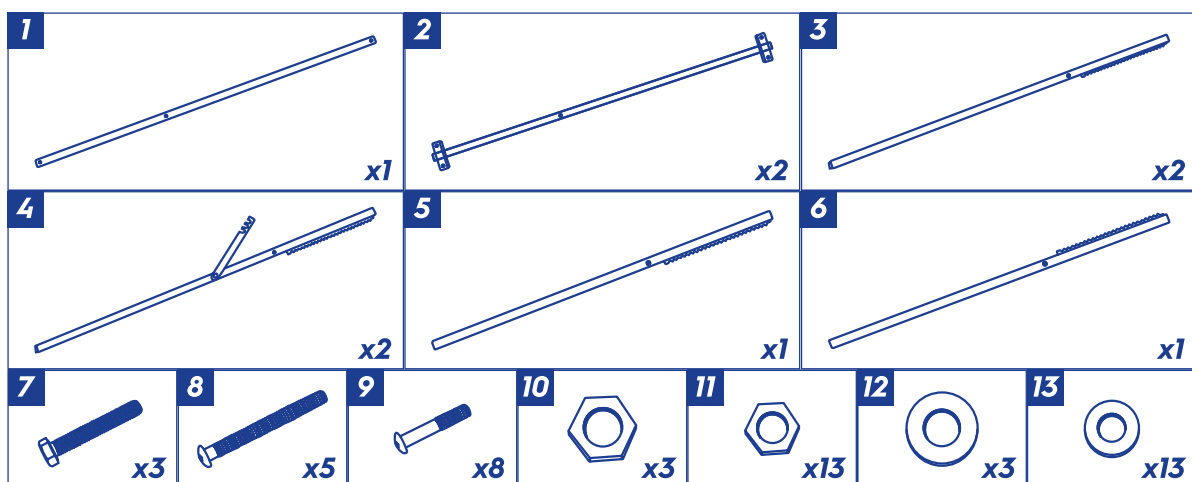
Do not hit the surface with any hard and/or sharp objects. Do not climb or stand upon the product. The item is intended for home use only.

### MAINTENANCE WARNINGS

Keep the object away from heat sources. Do not use aggressive cleaning products. Clean with a damp cloth and dry.

In order to keep the items and their metal parts in good condition, please ensure that the product is kept clean and dry.

### READ AND SAVE THESE WARNINGS FOR FUTURE REFERENCES



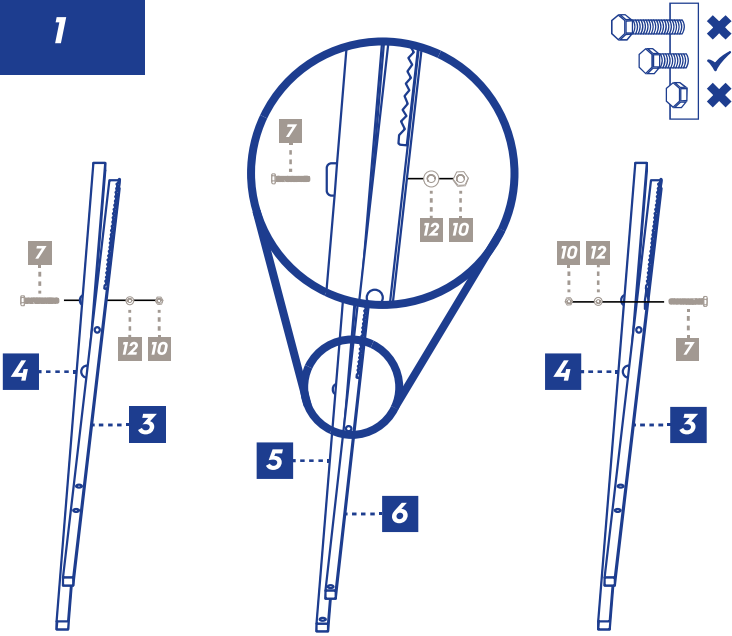
## Have an issue? Let us help with it!

Here at Rinkit! we love delivering a little bit of everyday happiness to you - and whatever you purchased we hope you enjoyit! We are also always here for you once you have taken delivery of your item and openedit!

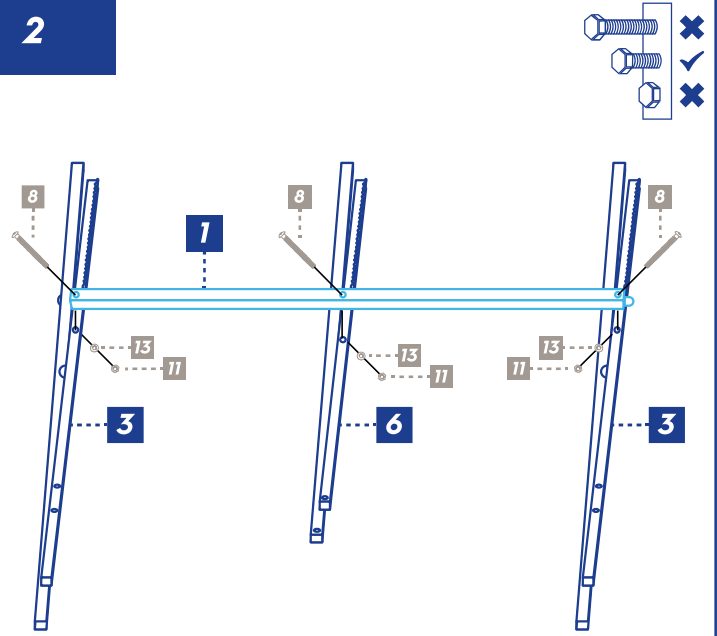
Need to returnit? Delivery journey has brokenit? Faulty item? Tell us aboutit! If you have any questions or requests, our customer services team are here ready and waiting, 7 days a week, to help you withit! or guide you throughit! if you need to returnit!

Email [hello@rinkit.com](mailto:hello@rinkit.com) (7 days a week) Call (01903) 726 077 (between 0830-1700 GMT Monday to Friday)

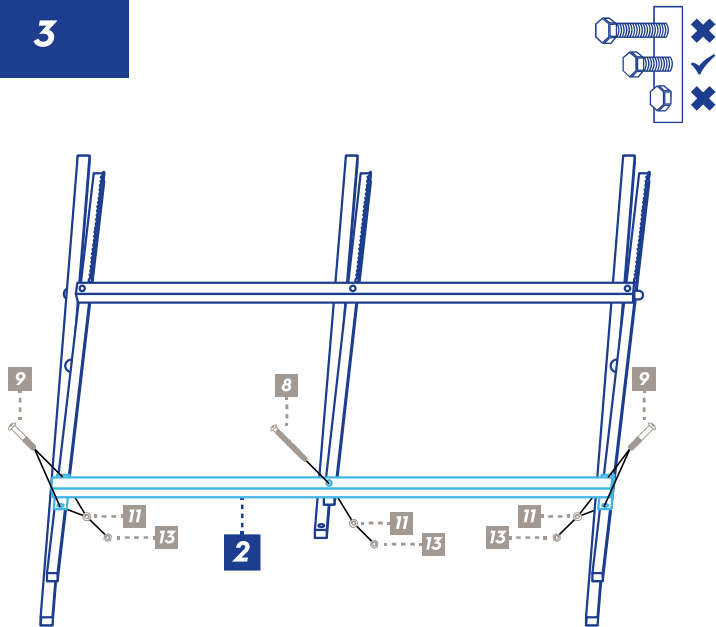
1



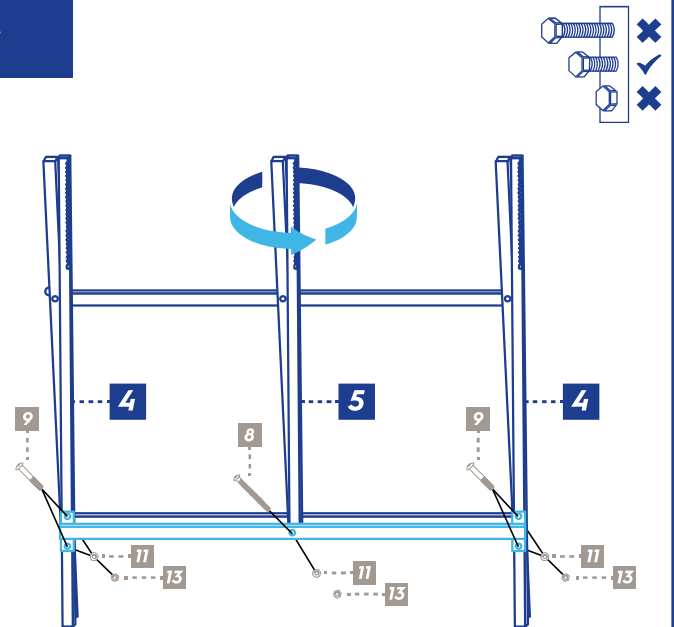
2



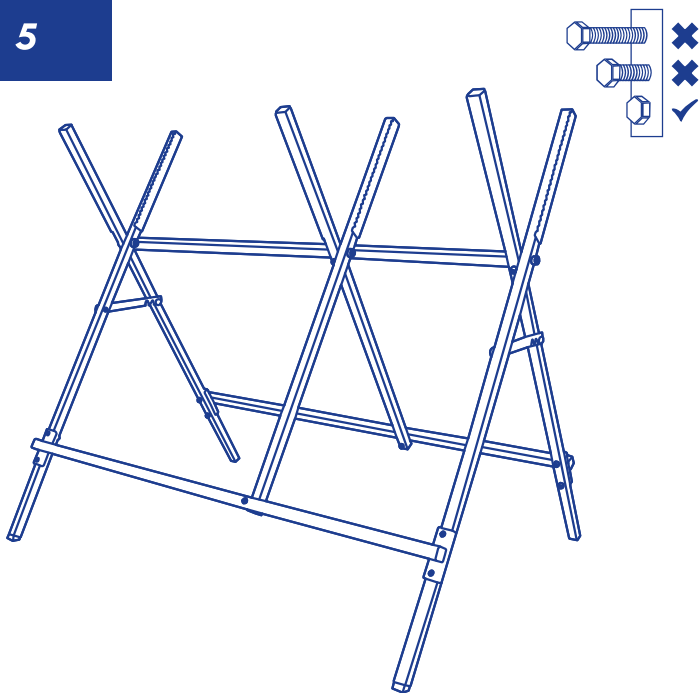
3



4



5



6

