

WARNINGS FOR ASSEMBLY AND USE

The assembly must be carried out by adults. Assemble with protective gloves to avoid hand injuries. Remove stickers and protective papers before assembly and use. Before proceeding with the assembly, make sure that all components are present in the packaging.

Observe the general safety rules during assembly.

To properly assemble the item, carefully follow the assembly instructions attached here.

The item should be mounted on a solid, flat surface free of anything that could damage it.

Instability caused by mounting on an uneven surface may damage the item. Before using the item, make sure it is well assembled.

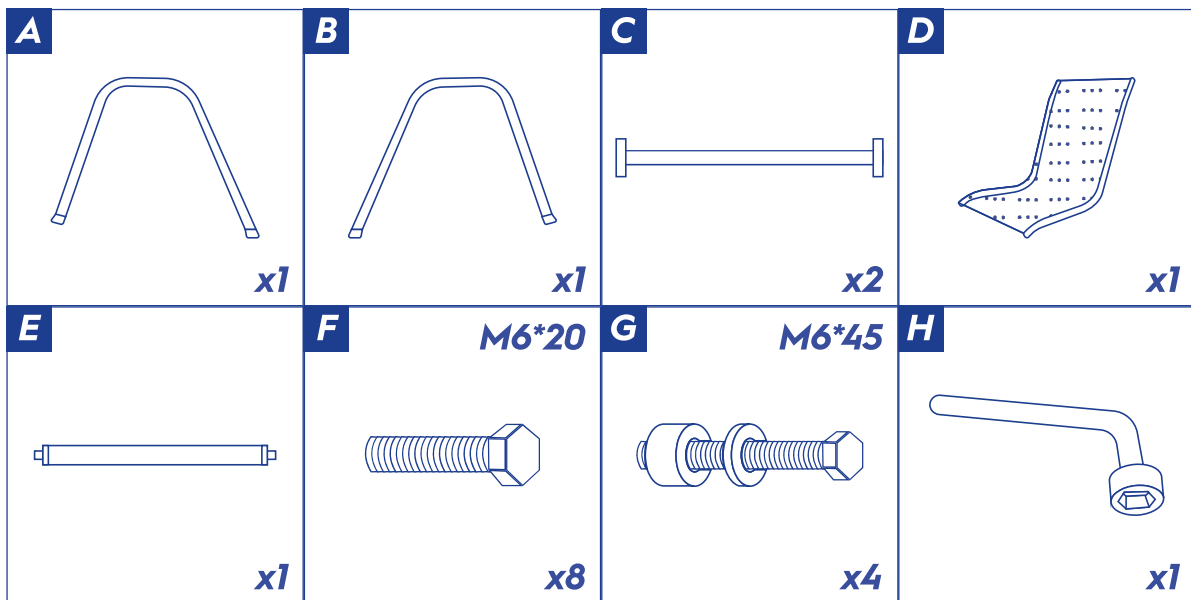
It is not recommended that the product be shaken or subjected to excessive impact. Do not hit the surface with hard and/or sharp objects. The product is intended for home use.

MAINTENANCE WARNINGS

Keep the object away from heat sources. Do not use aggressive cleaning products for cleaning. Clean with a damp cloth and dry.

In order to keep the items and their metal parts in good condition, please ensure that the product is kept clean and dry.

READ AND SAVE THESE WARNINGS FOR FUTURE REFERENCES



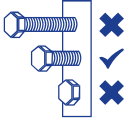
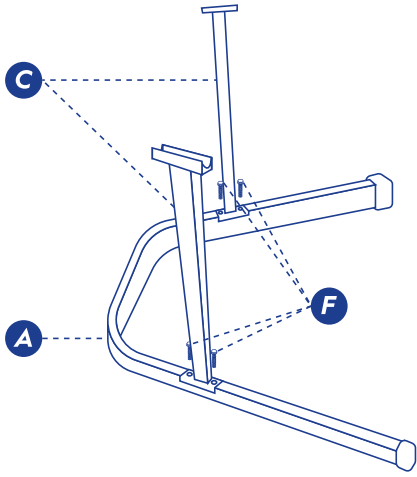
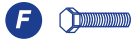
Have an issue? Let us help with it!

Here at Rinkit! we love delivering a little bit of everyday happiness to you - and whatever you purchased we hope you enjoyit! We are also always here for you once you have taken delivery of your item and openedit!

Need to returnit? Delivery journey has brokenit? Faulty item? Tell us aboutit! If you have any questions or requests, our customer services team are here ready and waiting, 7 days a week, to help you withit! or guide you throughit! if you need to returnit!

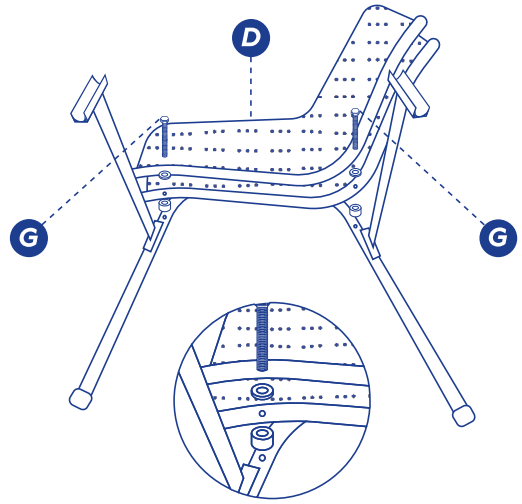
Email hello@rinkit.com (7 days a week) Call (01903) 726 077 (between 0900-1200 and 1300-1700 GMT Monday to Friday)

1

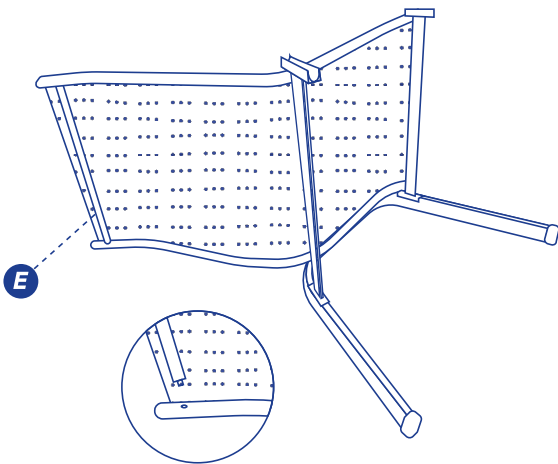


To make assembly easier, all bolts through stages 1-4 should be only partially tightened.

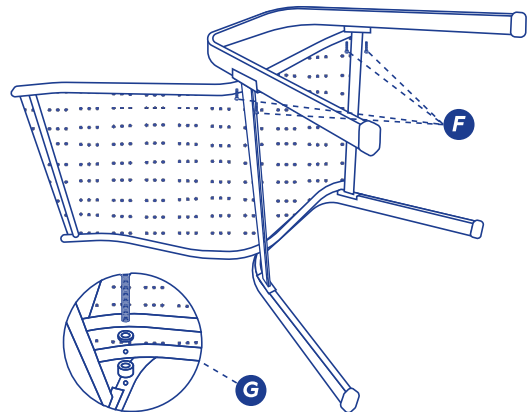
2



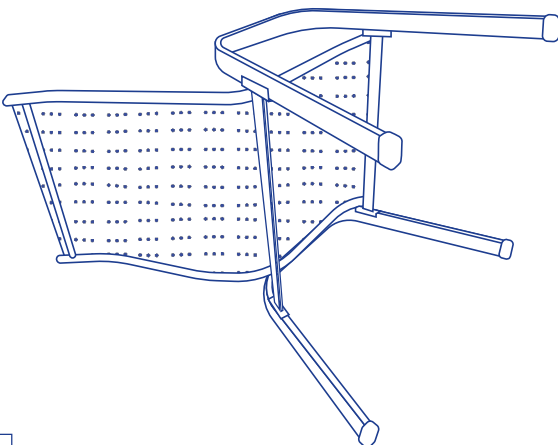
3



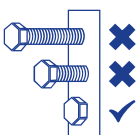
4



5



6



YOU SHOULD NOW FULLY TIGHTEN ALL BOLTS TO COMPLETE THE ASSEMBLY PROCESS