

Wooden Coat Stand

HH-DTS234225/6/7/8/9 - Guide to assembling it!

WARNINGS FOR ASSEMBLY AND USE

Remove all stickers, protective papers and bags - **before** proceeding with assembly, ensure that all parts are present as per the list below and that they are damage free.

Observe the general safety rules during assembly. Please follow the steps on the reverse of this document carefully, to ensure the item is assembled correctly.

The item should be placed on a solid/flat surface - instability caused by assembling/using on an uneven surface may damage the item and reduce its lifespan.

Before using the item, make sure it has been fully assembled and that all components have been fully tightened fully.

Do not hit the surface with any hard and/or sharp objects. Do not climb or stand upon the product. The item is intended for home use only.

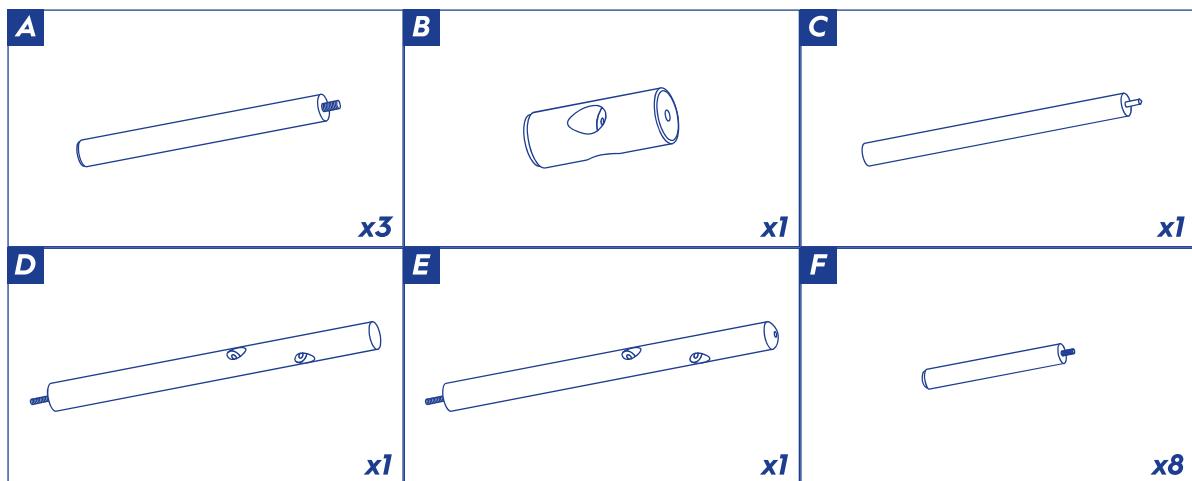
MAINTENANCE WARNINGS

Keep the object away from heat sources. Do not use aggressive cleaning products. Clean with a damp cloth and dry.

In order to keep the items and their metal parts in good condition, please ensure that the product is kept clean and dry.

WEIGHT CAPACITY: No more than 2kg per hook; no more than 16kg total.

READ AND SAVE THESE WARNINGS FOR FUTURE REFERENCES



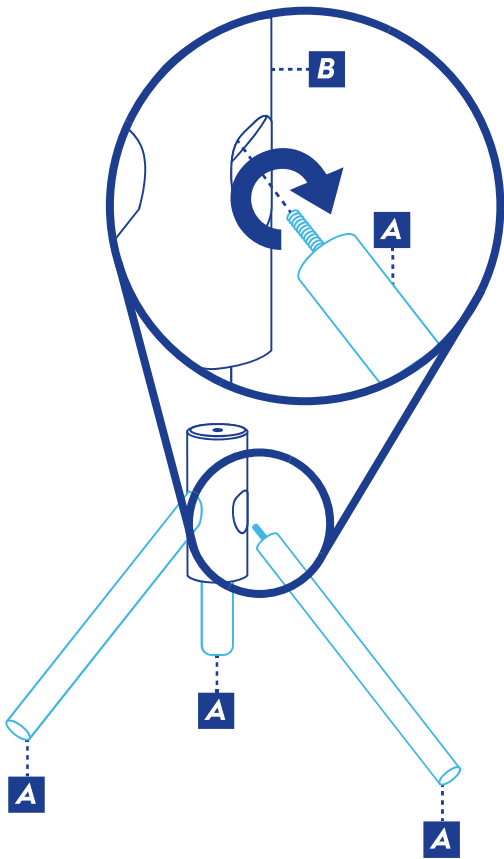
Have an issue? Let us help with it!

Here at Rinkit! we love delivering a little bit of everyday happiness to you - and whatever you purchased we hope you enjoy it! We are also always here for you once you have taken delivery of your item and opened it!

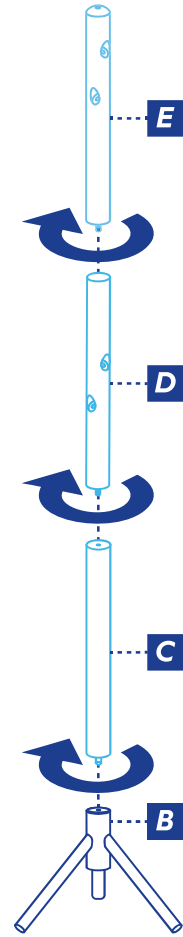
Need to return it!? Delivery journey has broken it!? Faulty item? Tell us about it! If you have any questions or requests, our customer services team are here ready and waiting, 7 days a week, to help you with it! or guide you through it! if you need to return it!

Email hello@rinkit.com (7 days a week) Call (01903) 726 077 (between 0830-1700 GMT Monday to Friday)

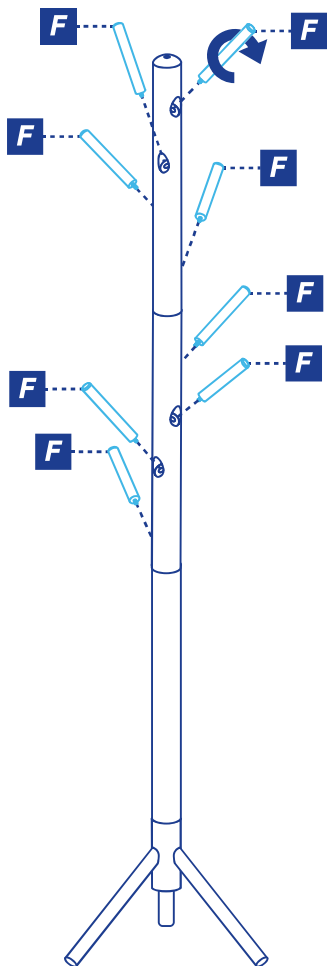
1



2



3



4

Unit can also be assembled as a smaller stand by omitting **PART C** during assembly & attaching **PART D** directly onto **PART B**.

