



4" Light Pattern Style 38

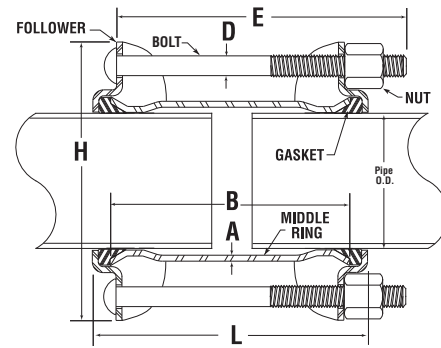


2" Light Pattern Style 38

Style 38 Bolted Couplings for Steel Pipe

Proven by years of service on all kinds of pipe, **Dresser Style 38 couplings** provide flexible, leakproof connections that last the life of the pipe. No costly threading, beveling, exact pipe fitting or alignment is required. The resilient Dresser gaskets absorb vibration and pipe movement and permit curves to be laid with straight pipe lengths. Installation is safe and sure. There's no hazard to workmen or delays due to weather. Dresser Style 38 couplings are available from 1/2" ID to over 400" OD.

NOTE: Commonly used sizes are listed in the tables, but couplings can be furnished for practically any size or special condition. **Penstock coupling** brochure available on-line: www.dresser.com.



Typical single-piece follower construction

Materials of Construction

Followers: AISI C1012 or ASME SA36 (Ductile Iron or Malleable Iron for 1/2" thru 1-1/2")

Middle Ring: ASTM A513, ASTM A635 or ASME SA675 GR60

Bolts: AWWA C 111/ANSI A21.11

Coating: Fusion-Bonded Epoxy

Style 38 Couplings

Sizes and Specifications for Steel Pipe

Pipe Nominal Size (In)	Outside Pipe Diameter (OD)	Middle Ring Thickness & Length (A&B) ¹	Bolts ² No./Diam. x Length (D&E)	Overall Dimensions		Working Pressure ⁵ Lbs. per Sq. In.	Max. Test Pressure Lbs. per Sq. In.	Approx. Weight Each (Lbs.)
				Diam. (H)	Length ⁴ (L)			
1/2	.840	.156 x 3-1/2	2-1/2 x 6	3-1/2	8	1500	2250	2
3/4	1.050	.156 x 5	2-1/2 x 7-1/4	3-13/16	8-1/2	1500	2250	3
1	1.315	.148 x 5	2-1/2 x 7-1/4	4-1/16	8-1/2	1500	2250	4
1-1/4	1.660	.154 x 5	2-1/2 x 7-1/4	4-7/16	8-1/2	1500	2250	4
1-1/2	1.900	.165 x 5	2-1/2 x 7-1/4	4-3/4	8-1/2	1500	2250	5
2	*2.375	.156 x 4	2-1/2 x 7-1/4	5-3/8	8-1/2	-	-	4.5
2	2.375	.156 x 5	2-5/8 x 8-1/4	6	9-1/2	1500	2250	7
2	2.375	.156 x 5	3-5/8 x 8-1/4	6-1/4	9-1/2	1500	2250	10
2	2.375	.156 x 7	3-5/8 x 10-3/4	6-1/4	11-1/2	1326	1989	13
2-1/2	2.875	.180 x 5	3-5/8 x 8-1/4	7	9-1/2	1326	1989	13
3	*3.000	.180 x 4	2-1/2 x 7-1/4	6	8-1/2	-	-	6.5
3	*3.500	.156 x 4	3-1/2 x 6	6-1/2	8	-	-	7
3	3.500	.156 x 5	4-5/8 x 6	8	8	982	1473	13.5
3	3.500	.156 x 7	4-5/8 x 8-1/4	8	9-1/2	982	1473	17.5
3-1/2	*4.000	.134 x 4	3-1/2 x 6	7	8	-	-	7.5
3-1/2	4.000	.188 x 5	4-5/8 x 6	8-5/8	8	1034	1561	17
4	*4.500	.188 x 4	3-1/2 x 6	7-1/2	8	-	-	8
4	4.500	.188 x 5	4-5/8 x 6	9	8	931	1396	16.5
4	4.500	.188 x 7	4-5/8 x 8-1/4	9	9-1/2	931	1396	23.5
5	*5.500	.188 x 4	4-1/2 x 6	8-1/2	8	-	-	10
5	5.500	1/4 x 5	4-5/8 x 8-1/4	9-5/8	9-1/2	1205	1808	23.5
5	*5.563	3/16 x 4	4-1/2 x 6	8-1/2	8	-	-	20
5	5.563	1/4 x 5	4-5/8 x 6	10-3/8	8	1205	1808	23.5
5	5.563	1/4 x 7	4-5/8 x 8-1/4	10-3/8	9-1/2	1205	1808	25
6	*6.000	.188 x 4	4-1/2 x 6	10-5/8	8	-	-	11
6	6.000	1/4 x 5	6-5/8 x 6	10-5/8	8	1126	1689	26.5
6	*6.625	.188 x 4	4-1/2 x 6	9-5/8	8	-	-	22.5
6	6.625	1/4 x 5	6-5/8 x 6	11-1/4	8	1029	1544	25.5
6	6.625	1/4 x 7	6-5/8 x 8-1/4	11-1/4	9-1/2	1029	1544	31

* Light Pattern Couplings - Standard pressure rating of 150 psi.

Style 38 Coupling Sizes and Specifications for Steel Pipe (cont'd)

Pipe Nominal Size (In)	Outside Pipe Diameter (OD)	Middle Ring Thickness & Length (A&B) ¹	Bolts ² No./Diam. x Length (D&E)	Overall Dimensions		Working Pressure ⁵ Lbs. per Sq.In.	Max. Test Pressure Lbs. per Sq.In.	Approx. Weight Each (Lbs.)
				Diam. (H)	Length ⁴ (L)			
8	*8.000	.188 x 4	5-1/2 x 6	11	8	-	-	15
8	8.000	1/4 x 5	6-5/8 x 8-1/4	11-7/8	9-1/2	866	1299	31
8	*8.625	.188 x 4	6-1/2 x 6	11-5/8	8	-	-	16
8	8.625	1/4 x 5	6-5/8 x 6	13-1/4	8	807	1211	32
8	8.625	1/4 x 7	6-5/8 x 8-1/4	13-1/4	9-1/2	807	1211	38
10	10.000	1/4 x 5	8-5/8 x 8-1/4	13-7/8	9-1/2	703	1055	39
10	10.750	1/4 x 5	8-5/8 x 6	14-5/8	8	657	986	40
10	10.750	1/4 x 7	8-5/8 x 8-1/4	14-5/8	9-1/2	657	986	49
10	10.750	3/8 x 7	8-5/8 x 8-1/4	14-5/8	9-1/2	813	1200	53
12	12.000	1/4 x 7	8-5/8 x 10-3/4	16	11-7/8	591	887	53
12	12.750	1/4 x 5	8-5/8 x 6	16-3/4	6-7/8	558	837	45
12	12.750	1/4 x 7	8-5/8 x 8-1/4	16-3/4	9-1/2	558	837	56
12	12.750	3/8 x 7	8-5/8 x 8-1/4	16-3/4	9-1/2	823	1236	65
14	14.000	1/4 x 7	8-5/8 x 10-3/4	18	11-7/8	510	765	60
14	14.000	3/8 x 7	8-5/8 x 10-3/4	18	11-7/8	754	1131	72
16	16.000	1/4 x 7	10-5/8 x 10-3/4	20	11-7/8	449	673	70
16	16.000	3/8 x 7	10-5/8 x 10-3/4	20	11-7/8	667	997	82
18	18.000	1/4 x 7	10-5/8 x 10-3/4	22	11-7/8	401	602	75
18	18.000	3/8 x 7	10-5/8 x 10-3/4	22	11-7/8	595	892	88
20	20.000	1/4 x 7	12-5/8 x 10-3/4	24-1/16	11-7/8	362	543	86
20	20.000	3/8 x 7	12-5/8 x 10-3/4	24-1/16	11-7/8	538	807	90
22	22.000	1/4 x 7	14-5/8 x 10-3/4	26	11-7/8	330	495	98
22	22.000	3/8 x 7	14-5/8 x 10-3/4	26	11-7/8	491	736	108
24	24.000	1/4 x 7	14-5/8 x 10-3/4	28	11-7/8	304	456	105
24	24.000	3/8 x 7	14-5/8 x 10-3/4	28	11-7/8	451	676	120
30	30.000	1/4 x 7	16-5/8 x 10-3/4	34	11-7/8	243	364	120
30	30.000	3/8 x 7	16-5/8 x 10-3/4	34	11-7/8	303	454	153
30	30.500	1/4 x 7	16-5/8 x 10-3/4	34-1/2	11-7/8	240	360	125
30	30.750	3/8 x 7	16-5/8 x 10-3/4	34-3/4	11-7/8	295	442	158
36	36.000	3/8 x 7	18-5/8 x 10-3/4	40	11-7/8	253	379	181
36	36.750	3/8 x 7	18-5/8 x 10-3/4	41-3/4	11-7/8	298	447	227
42	42.000	1/2 x 10	20-5/8 x 15	47	16-1/2	346	519	351
48	48.750	1/2 x 10	22-5/8 x 15	53	16-1/2	304	456	399

* Light Pattern Couplings - Standard pressure rating of 150 psi.

NOTE: Only couplings for most commonly used steel pipe sizes are shown. Couplings are supplied for ALL SIZES of steel pipe and are regularly available in any special size. Details and prices will be furnished on request for any size of pipe or for any special conditions. Please consult factory.

1- Middle Rings - Thicker or longer than those listed can be furnished.

Please specify if pipe stop is required.

2- Bolts - Furnished E-Coated steel as standard.

3- Gasket - Information appears on Page 20.

4- Dimension "L" - Overall length taken with fasteners drawn up finger tight.

5- Working Pressure - Pressure ratings are determined on the basis of Barlow's formula using a working stress equal to one half the minimum yield of the middle ring material.



**For Style 38
Stainless Coupling
sizes and specifications,
please refer to standard
Style 38 coupling charts
on pages 5-6**

Style 38 Stainless Couplings

**For severe service
conditions!**

When you need a coupling for highly corrosive conditions - too corrosive for ordinary carbon steel couplings - Dresser offers its proven Style 38 coupling in an all-stainless steel design. The coupling is available in either Type 304 or Type 316 stainless steel. Followers are available in Type 316 only. You can also specify the middle ring only in stainless or the nuts and bolts only in stainless.

Dresser Style 38 stainless steel couplings are furnished with gaskets to match the particular service. Available compounds include Buna S (Grade 27) and Buna N (Grade 42), fluorocarbon (Viton®)*, butyl and EPDM. There's also a high temperature gasket for applications up to 1200° F. See gasket recommendation chart on inside back cover.

Dresser stainless steel couplings provide flexible, bottle-tight connections with no need for costly threading, beveling, exact pipe fittings or alignment. Installation is so easy, ordinary workmen can make tight joints every time, only tool needed is a wrench.

*Viton is a Registered trademark of Dupont Corporation