



For close-off, testing and capping “dead-ends” for future branch extensions

Style 31 Line Cap

Dresser Style 31 Line Caps are used to close off sections of a pipeline during construction and testing, and to cap off dead-ends in the line for future branch connections. Style 31 Line Caps are made from Style 38 Dresser coupling parts with a convex steel dished head welded into one end of the middle ring. One follower ring is welded to the cap itself, and only one gasket is required.

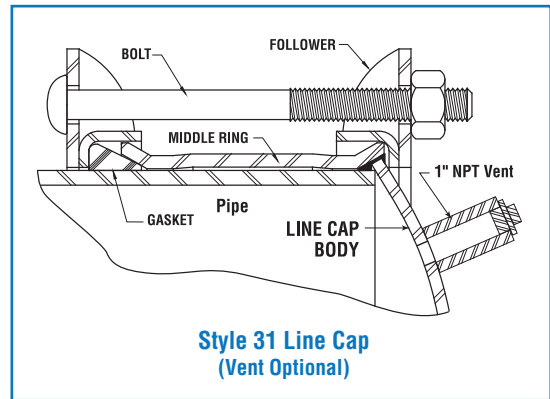
The Style 31 is regularly supplied with a 1” NPT vent and plug off-center. When ordering, please specify whether vent is to be provided. The Dresser Style 31 Line Cap is also available in an insulating design with insulating gasket, insulating sleeve and pipe-end separator.

WARNING: Style 31 Line Caps must NOT be used under pressure **WITHOUT ANCHORAGE OR BLOCKING** sufficient to withstand the entire longitudinal thrust due to internal pressure.

Style 31 Line Caps

Sizes and Specifications for Steel Pipe

| Pipe Nominal Size (ID) | Outside Pipe Diameter (OD) | Middle Ring Thickness & Length (A&B) | Bolts No./Diam. x Length (D&E) | Working* Pressure Lbs. per Sq. In. | Approx. Weight Each (Lbs.) |
|------------------------|----------------------------|--------------------------------------|--------------------------------|------------------------------------|----------------------------|
| 2 | 2.375 | .187 x 5 | 3-5/8 x 8-1/4 | 150 | 12 |
| 3 | 3.500 | .203 x 2-1/2 | 4-5/8 x 6 | 150 | 16 |
| 4 | 4.500 | .5/16 x 3-1/2 | 4-5/8 x 6 | 150 | 19 |
| 6 | 6.625 | .5/16 x 3-1/2 | 6-5/8 x 6 | 150 | 28 |
| 8 | 8.625 | 3/8 x 5 | 6-5/8 x 8-1/4 | 150 | 37 |
| 10 | 10.750 | 3/8 x 5 | 8-5/8 x 10-3/4 | 150 | 50 |
| 12 | 12.750 | 3/8 x 5 | 8-5/8 x 10-3/4 | 150 | 58 |
| 14 | 14.000 | 3/8 x 7 | 10-5/8 x 10-3/4 | 150 | 73 |
| 16 | 16.000 | 3/8 x 7 | 10-5/8 x 10-3/4 | 150 | 86 |
| 18 | 18.000 | 3/8 x 7 | 12-5/8 x 10-3/4 | 150 | 98 |
| 20 | 20.000 | 3/8 x 7 | 12-5/8 x 10-3/4 | 150 | 113 |
| 24 | 24.000 | 3/8 x 7 | 15-5/8 x 10-3/4 | 150 | 187 |



Style 31 Line Cap (Vent Optional)

Sizes and Specifications for Cast-Iron Pipe

| Pipe Nominal Size (ID) | Outside Pipe Diameter (OD) | Middle Ring Thickness & Length (A&B) | Bolts No./Diam. x Length (D&E) | Working* Pressure Lbs. per Sq. In. | Approx. Weight Each (Lbs.) |
|------------------------|----------------------------|--------------------------------------|--------------------------------|------------------------------------|----------------------------|
| 2 | 2.500 | .187 x 5 | 3-5/8 x 8-1/4 | 150 | 12 |
| 3 | 3.800 | .188 x 5 | 4-5/8 x 8-1/4 | 150 | 13 |
| 3 | 3.960 | .203 x 5 | 4-5/8 x 8-1/4 | 150 | 18 |
| 4 | 4.800 | .229 x 5 | 4-5/8 x 8-1/4 | 150 | 17 |
| 4 | 5.000 | .229 x 5 | 4-5/8 x 8-1/4 | 150 | 17 |
| 6 | 6.900 | 1/4 x 5 | 6-5/8 x 8-1/4 | 150 | 27 |
| 6 | 7.100 | 1/4 x 5 | 6-5/8 x 8-1/4 | 150 | 27 |
| 8 | 9.050 | 1/4 x 5 | 6-5/8 x 8-1/4 | 150 | 42 |
| 8 | 9.300 | 1/4 x 5 | 6-5/8 x 8-1/4 | 150 | 45 |
| 10 | 11.100 | 3/8 x 7 | 8-5/8 x 10-3/4 | 150 | 71 |
| 10 | 11.400 | 3/8 x 7 | 8-5/8 x 10-3/4 | 150 | 72 |
| 12 | 13.200 | 3/8 x 7 | 8-5/8 x 10-3/4 | 150 | 100 |
| 12 | 13.500 | 3/8 x 7 | 8-5/8 x 10-3/4 | 150 | 106 |
| 14 | 15.300 | 3/8 x 7 | 10-5/8 x 10-3/4 | 150 | 120 |
| 14 | 15.650 | 3/8 x 7 | 10-5/8 x 10-3/4 | 150 | 124 |
| 16 | 17.400 | 3/8 x 7 | 10-5/8 x 10-3/4 | 150 | 136 |
| 16 | 17.800 | 3/8 x 7 | 10-5/8 x 10-3/4 | 150 | 147 |
| 18 | 19.500 | 3/8 x 7 | 12-5/8 x 10-3/4 | 150 | 163 |
| 18 | 19.920 | 3/8 x 7 | 12-5/8 x 10-3/4 | 150 | 167 |
| 20 | 21.600 | 3/8 x 7 | 12-5/8 x 10-3/4 | 150 | 183 |
| 20 | 22.060 | 3/8 x 7 | 14-5/8 x 10-3/4 | 150 | 192 |
| 24 | 25.800 | 3/8 x 7 | 15-5/8 x 10-3/4 | 150 | 230 |
| 24 | 26.320 | 3/8 x 7 | 15-5/8 x 10-3/4 | 150 | 235 |

Materials of Construction

Followers: AISI C1012 or ASME SA36
(Ductile Iron or Malleable Iron for 1/2” thru 1-1/2”)

Middle Ring: ASTM A513, ASTM A635 or ASME SA675 GR60

Bolts: AWWA C 111/ANSI A21.11

Gasket: Grade 27 BUNA S (Armored)

Coating: Fusion-Bonded Epoxy

NOTE: Style 31 Line Caps are supplied with 1” IPS vents in center of head as standard for 2” and 3” sizes. 4” and larger are furnished with 1” IPS vent off-center (see photo above). Caps with no vents and caps with lock pins are available upon request. Consult factory for your particular requirements.

*Higher pressures available per application.