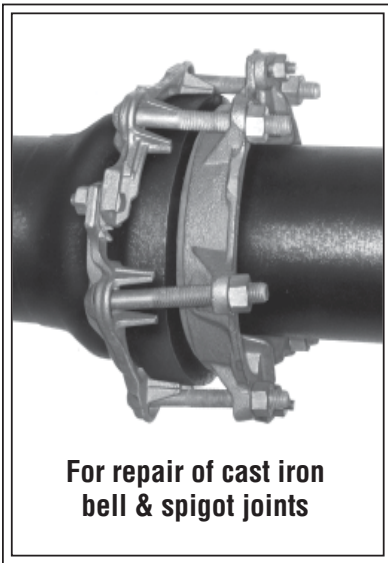


Style 60 & 160 Bell Joint Clamps



For repair of cast iron bell & spigot joints

Materials of Construction

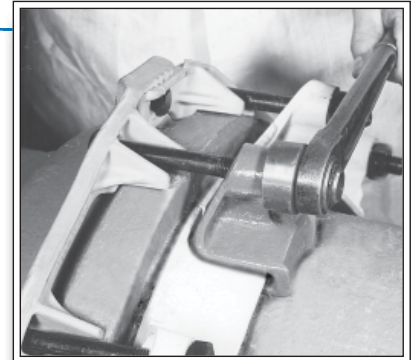
- Rings:** Cast Ductile Iron to ASTM A536
- Bolts & Nuts:** Dresserloy Carbon Steel
- Spigot Ring:** ASTM A-307
- Clips:** Ductile or Malleable Iron
- Gasket:** Grade 27 Buna S
- Coating:** Fusion-Bonded Epoxy

Dresser Style 60 and 160 Bell Joint Clamps permanently stop or prevent leaks through the jointing materials of cast iron bell-and-spigot joints. Completely adjustable to provide a close fit on both the pipe bell and spigot, one standard clamp fits virtually all the various makes of pipe within a nominal size.

Style 60 and 160 clamps can be quickly installed with no interruption of service. A large, special rubber compound gasket shuts off the leak when compressed as the spigot ring is drawn up and, in turn, by bolts connected to the bell ring (anchored on the bell).

Style 60 Clamps

The spigot ring of the Style 60 offers a wide range of adjustment made possible by the use of clips having fillers with the same cross section of the spigot ring. Serrated ends on the bell ring sections offer a simple and effective means of adjustment, providing a positive fit for varying outside bell diameters.



Style 160 Clamps

The Style 160 clamp features a wrap around design of the spigot ring that hinge together. There are no clips and the spigot sections have serrated ends that bolt together. Style 160 design is available in 4, 6, 8, 12 and 16" sizes.

Gasket Tong

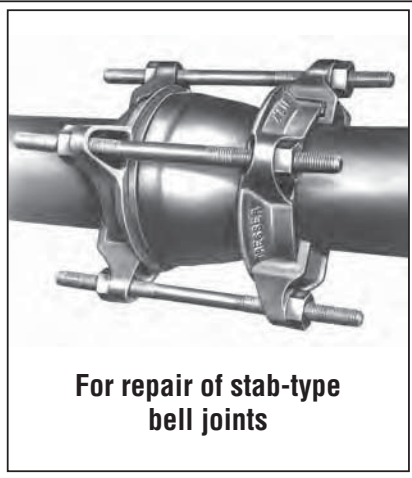
Dresser gasket tongs help simplify the installation of bell joint clamps. The tongs hold the gasket in place while the clamp is being bolted-up—assuring full, uniform gasket compression. Consult factory for product details.

Style 60/160 Clamps for Cast Iron Pipe

Specifications for Sizes 3" thru 16"				Specifications for Sizes 18" thru 48"			
CIP Nom. Size (In.)	GASKETS Thickness x Length	BOLTS Number Diam. x Length	WEIGHT App. Ship. (Lbs.)	CIP Nom. Size (In.)	GASKETS Thickness x Length	BOLTS Number Diam. x Length	WEIGHT App. Ship. (Lbs.)
3	1-1/8 x 1	4 – 5/8 x 5	13	18	1-1/8 x 1	12 – 5/8 x 6-1/2	73
4*	1-1/8 x 1	4 – 5/8 x 5	15	20	1-1/8 x 1	12 – 5/8 x 6-1/2	74
6*	1-1/8 x 1	6 – 5/8 x 5-1/2	21	24	1-1/8 x 1	12 – 5/8 x 7	86
8*	1-1/8 x 1	6 – 5/8 x 5-1/2	24	30	1-1/8 x 1	16 – 5/8 x 7	113
10	1-1/8 x 1	8 – 5/8 x 5-1/2	35	36	1-1/8 x 1	20 – 5/8 x 7	148
12*	1-1/8 x 1	9 – 5/8 x 5-1/2	38	42	1-1/8 x 1	24 – 5/8 x 7-1/2	199
14	1-1/8 x 1	9 – 5/8 x 6	46	48	1-1/8 x 1	24 – 5/8 x 7-1/2	227
16*	1-1/8 x 1	9 – 5/8 x 6	50	-	-	-	-

*NOTE: Style 160 Clamps may be furnished in these sizes

Style 60-S Bell Joint Clamps

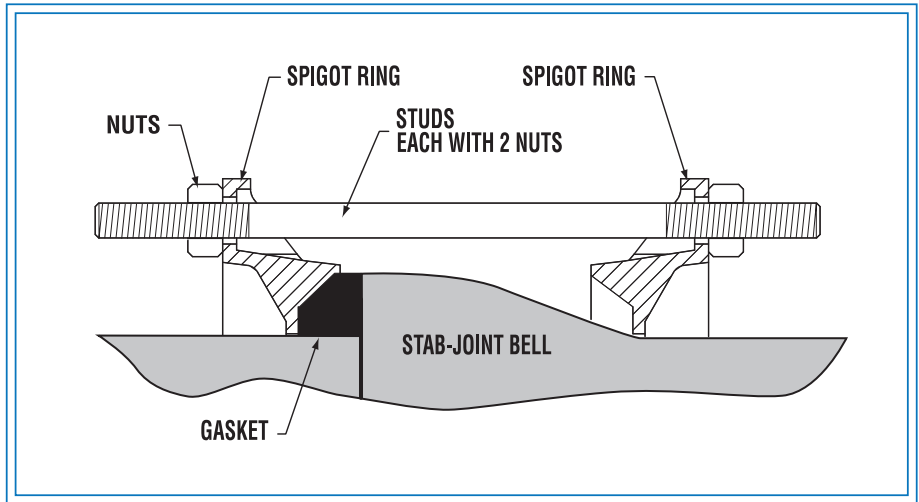


Materials of Construction

- Rings:** Cast Ductile Iron to ASTM A536
- Studs & Nuts:** Dresserloy Carbon Steel
- Spigot Ring:** ASTM A-307
- Gaskets:** Grade 27 Buna S
- Coating:** Fusion-Bonded Epoxy

Style 60-S Bell Joint Clamps are similar to the standard Dresser Style 60 clamp, but consists of two spigot rings rather than one spigot and one bell ring. This difference in design is necessary since most stab-type joints, including cast-iron pipe, have a long, tapered bell which has no shoulder for anchoring a bell ring.

Long studs are provided for adjustability to provide a close fit on both pipe bell and spigot ends. A large, special rubber compound gasket shuts off the leak when compressed as the spigot rings are drawn up and the studs are tightened against the bell. Style 60-S clamps can be quickly installed with no interruption of service.



Style 60-S Clamp for Stab-type Pipe Joints

Specifications for Sizes 4" thru 36"

CIP Nom. Size (In.)	Spigot Ring Number (2 per clamp)	STUDS Number Diam. x Length	Weight App. Ship. (Lbs.)
4	160A0480	4 - 5/8" x 13	18
6	160A0690	6 - 5/8" x 13	27
8	160A0905	6 - 5/8" x 13	33
10	60B1110	8 - 5/8" x 13	43
12	160A1320	8 - 5/8" x 13	48
14	60A1530	9 - 5/8" x 13	71
16	60B1740	9 - 5/8" x 16	74
18	60A1950	12 - 5/8" x 16	91
20	60A2160	12 - 5/8" x 16	100
24	60D2580	12 - 5/8" x 16	115
30	60A3174	16 - 5/8" x 16	171
36	60B3830	20 - 5/8" x 16	247

NOTE: Style 60-S Clamps can be used on caulked cast iron pipe joints for Class A, B, C and D and C900 pipe sizes through 24"; Same pipe for Class A, B & C in sizes 30" and 36".