

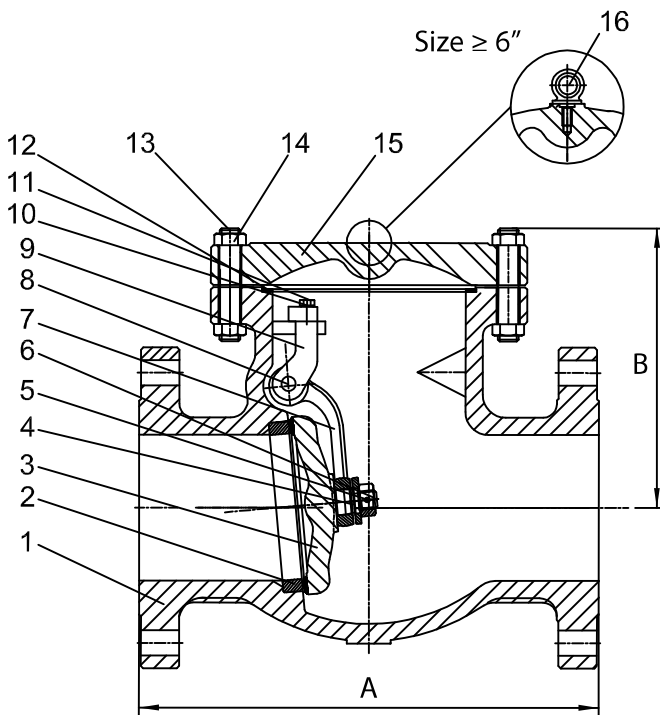
# Figure 15-SF-U

## Class 150 • Bolted Cap

Figure 15-SF-U  
Flanged

**Size Range:**  
2 through 24 inches  
(50 - 600 mm)

**Pressure Temperature Rating**  
Carbon Steel  
ASTM A216 Grade WCB  
285 psi @ -20°F to 100°F  
(20 bar @ -28°C to 37°C)



### Material of Construction\*

Item	Description	Material
1	Body	ASTM A216 Gr. WCB
2	Seat Ring	ASTM A105 Hard-Faced
3	Disc	ASTM A216 Gr. WCB + CR13 Faced
4	Disc Washer	ASTM A276 Type 410
5	Disc Nut Pin	Stainless Steel
6	Disc Nut	Stainless Steel
7	Hinge	ASTM A216 Gr. WCB
8	Hinge Pin	ASTM A276 Type 410
9	Bearing Bracket	ASTM A216 Gr. WCB
10	Spring Washer	Carbon Steel
11	Hex, Bolt	Carbon Steel
12	Gasket	Stainless Steel w/Graphite
13	Cover Bolt	ASTM A193 Gr. B7
14	Cover Bolt Nut	ASTM A194 Gr. 2H
15	Cover	ASTM A216 Gr. WCB
16	Eye Bolt	ASTM A181

**NOTE:**

\*Standard construction: WCB-Trim 8, other options are available.

### Industry Standards

Steel Valves	ASME B16.34
Face-to-Face	ASME B16.10
Flange Dimensions	ASME B16.5
Testing	API 598

### Dimensions and Weights

Inches (millimeters) - pounds (kilograms)

Valves	2 (50)	2 ½ (65)	3 (80)	4 (100)	6 (150)	8 (200)	10 (250)	12 (300)	14 (350)	16 (400)	18 (450)	20 (500)	24 (600)
A	8.00 (203)	8.50 (216)	9.50 (241)	11.50 (292)	14.00 (356)	19.50 (495)	24.50 (622)	27.50 (698)	31.00 (787)	34.00 (863)	38.50 (977)	38.50 (977)	51.00 (1295)
B	9 (229)	7 (178)	7 (178)	9 (229)	11 (279)	13 (330)	15 (381)	17 (432)	15 (381)	17 (432)	18 (457)	19 (482)	22 (558)
Wt.	41 (18)	57 (25)	64 (29)	101 (45)	170 (77)	360 (163)	485 (219)	765 (346)	950 (430)	1225 (555)	1700 (771)	1850 (839)	2600 (1179)

# Figure 30-SF-U

## Class 300 • Bolted Cap

### Material of Construction\*

Item	Description	Material
1	Body	ASTM A216 Gr. WCB
2	Seat Ring	ASTM A105 Hard-Faced
3	Disc	ASTM A216 Gr. WCB + CR13 Faced
4	Disc Washer	ASTM A276 Type 410
5	Disc Nut Pin	Stainless Steel
6	Disc Nut	Stainless Steel
7	Hinge	ASTM A216 Gr. WCB
8	Hinge Pin	ASTM A276 Type 410
9	Bearing Bracket	ASTM A216 Gr. WCB
10	Spring Washer	Carbon Steel
11	Hex, Bolt	Carbon Steel
12	Gasket	Stainless Steel w/Graphite
13	Cover Bolt	ASTM A193 Gr. B7
14	Cover Bolt Nut	ASTM A194 Gr. 2H
15	Cover	ASTM A216 Gr. WCB
16	Eye Bolt	ASTM A181

**NOTE:**

\*Standard construction: WCB-Trim 8, other options are available.

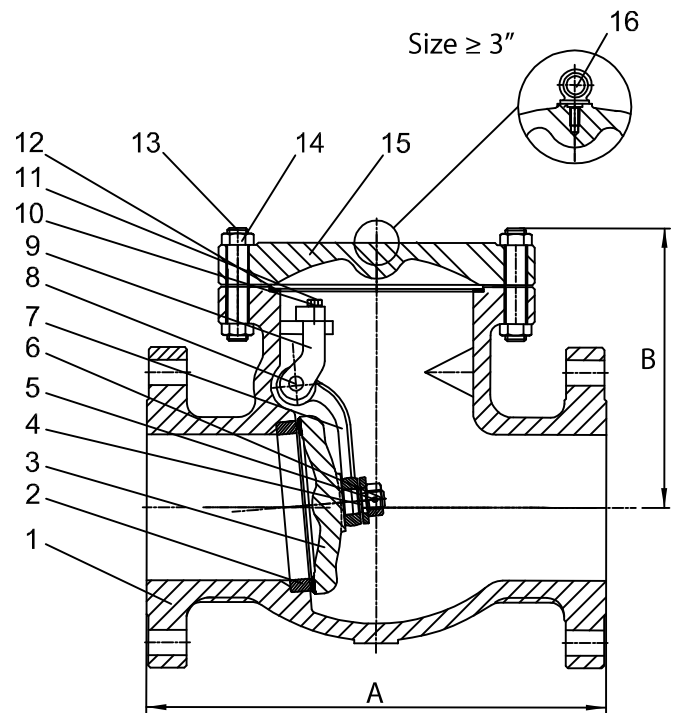
### Industry Standards

Steel Valves	ASME B16.34
Face-to-Face	ASME B16.10
Flange Dimensions	ASME B16.5
Testing	API 598

Figure 30-SF-U  
Flanged

**Size Range:**  
2 through 24 inches  
(50 - 600 mm)

**Pressure Temperature Rating**  
Carbon Steel  
ASTM A216 Grade WCB  
740 psi @ -20°F to 100°F  
(51 bar @ -28°C to 37°C)



### Dimensions and Weights

Inches (millimeters) - pounds (kilograms)

Valves	2 (50)	2 1/2 (65)	3 (80)	4 (100)	6 (150)	8 (200)	10 (250)	12 (300)	14 (350)	16 (400)	18 (450)	20 (500)	24 (600)
A	10.50 (266)	11.50 (292)	12.50 (317)	14.00 (356)	17.50 (444)	21.00 (533)	24.50 (622)	28.00 (711)	33.00 (838)	34.00 (863)	38.50 (977)	40.00 (1016)	53.00 (1346)
B	7 (178)	8 (203)	8 (203)	9 (229)	11 (279)	14 (355)	16 (406)	19 (482)	19 (482)	22 (558)	23 (584)	25 (635)	30 (762)
Wt.	46 (20)	66 (29)	86 (39)	154 (69)	276 (125)	460 (208)	675 (306)	860 (390)	1500 (680)	1850 (839)	2250 (1020)	2900 (1315)	4350 (1973)

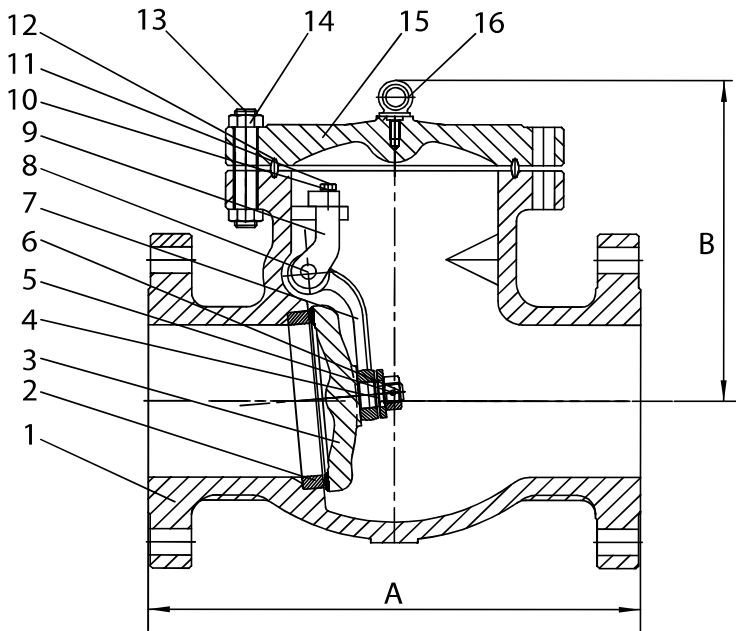
# Figure 60-SF-U

## Class 600 • Bolted Cap

Figure 60-SF-U  
Flanged

**Size Range:**  
2 through 12 inches  
(50 - 300 mm)

**Pressure Temperature Rating**  
Carbon Steel  
ASTM A216 Grade WCB  
1480 psi @ -20°F to 100°F  
(102 bar @ -28°C to 37°C)



### Material of Construction\*

Item	Description	Material
1	Body	ASTM A216 Gr. WCB
2	Seat Ring	ASTM A105 Hard-Faced
3	Disc	ASTM A216 Gr. WCB + CR13 Faced
4	Disc Washer	ASTM A276 Type 410
5	Disc Nut Pin	Stainless Steel
6	Disc Nut	Stainless Steel
7	Hinge	ASTM A216 Gr. WCB
8	Hinge Pin	ASTM A276 Type 410
9	Bearing Bracket	ASTM A216 Gr. WCB
10	Spring Washer	Carbon Steel
11	Hex, Bolt	Carbon Steel
12	Gasket	Ring Type Soft-Iron
13	Cover Bolt	ASTM A193 Gr. B7
14	Cover Bolt Nut	ASTM A194 Gr. 2H
15	Cover	ASTM A216 Gr. WCB
16	Eye Bolt	ASTM A181

**NOTE:**

\*Standard construction: WCB-Trim 8, other options are available.

### Industry Standards

Steel Valves	ASME B16.34
Face-to-Face	ASME B16.10
Flange Dimensions	ASME B16.5
Testing	API 598

### Dimensions and Weights

Inches (millimeters) - pounds (kilograms)

Valves	2 (50)	2 ½ (65)	3 (80)	4 (100)	6 (150)	8 (200)	10 (250)	12 (300)
A	11.50 (292)	13.00 (330)	14.00 (356)	17.00 (431)	22.00 (558)	26.00 (660)	31.00 (787)	33.00 (838)
B	7 (178)	8 (203)	9 (229)	11 (279)	13 (330)	16 (406)	19 (482)	21 (533)
Wt.	115 (52)	145 (65)	161 (73)	284 (128)	500 (226)	1025 (464)	1400 (635)	1950 (884)