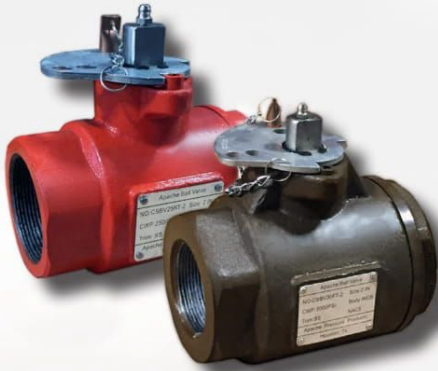
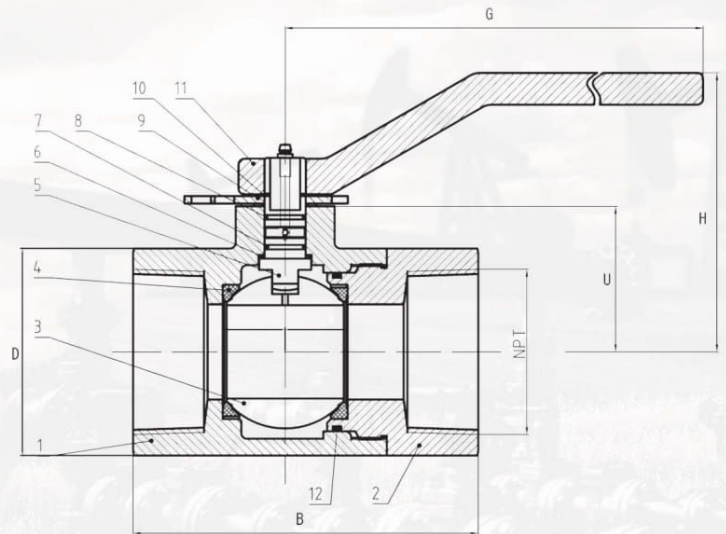
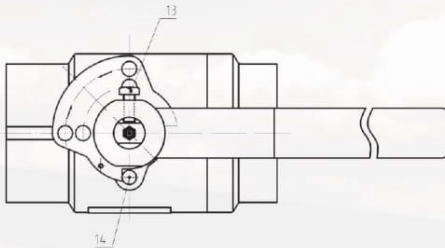


VALVE SPEC SHEET



TWO-PIECE CARBON STEEL OILFIELD BALL VALVE

CARBON STEEL BODY
 FLOATING BALL
 COLOR CODED, UP TO 5000 WOG
 BLOW-OUT PROOF STEM
 LOCKING PLATE
 GREASE FITTING
 NACE MR-0175 COMPLIANT
 THREADS CONFORMS TO
 ANSI B1.20.1, BS21, DN 259/2999



No	Part	Material
1	Body	A216 WCB
2	Bonnet	A216 WCB
3	Ball	304SS
4	Seat	DELRIN
5	Stem	304SS
6	Stem Washer	TEFLON
7	Stem O'ring	VITON
8	Thrust Bearing	TEFLON
9	Stop Collar	A194 2H
10	Snap Ring	6150
11	Handle	A395
12	Body Seal	VITON
13	Handle Bolt	A193 B7
14	Stop Screw	A193 B7

PART#	NPT	COLOR	WP (PSI)	B (INCH)	D	U	H	G
CSBV30FT-1	1" FP	BROWN	3000	4.00	2.50	1.72	3.06	6.25
CSBV25RT-2	2" RP	ORANGE	2500	5.50	3.50	2.63	5.63	8.50
CSBV30RT-2	2" RP	BROWN	3000	5.50	3.50	2.63	5.63	8.50
CSBV30FT-2	2" RP	BROWN	3000	6.00	4.38	3.06	6.00	8.50
CSBV30FT-3	2" FP	BROWN	3000	8.75	5.63	4.00	6.78	15.00
CSBV50RT-3	2" RP	RED	5000	5.50	3.50	2.63	5.63	8.50