

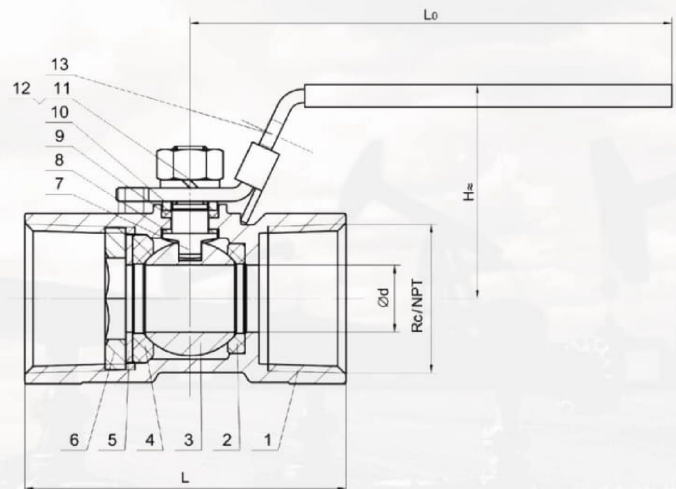
# VALVE SPEC SHEET



## ONE-PIECE 1000 PSI REDUCED PORT THREADED BALL VALVE

316 STAINLESS BODY  
 FLOATING BALL  
 BLOW-OUT PROOF STEM  
 LOCKING HANDLE  
 NACE MR-0175 COMPLIANT  
 THREADS CONFORMS TO  
 ANSI B1.20.1, BS21, DN 259/2999

No	Part	Material
1	Body	CF8M
2	Cap	CF8M
3	Ball	CF8M
4	Seat	PTFE
5	Joint Gasket	PTFE
6	Nut	AISI 304
7	Stem	CF8M
8	Stem Washer	PTFE
9	Packing	PTFE
10	Gland Nut	AISI 304
11	Stem Nut	AISI 304
12	Spring Washer	AISI 304
13	Handle	AISI 304
14	Handle Sleeve	PVC



PART#	NPT	d(inch)	L	L <sub>0</sub>	H
SRT-2000-1/4	1/4"	0.20	1.57	2.76	1.34
SRT-2000-3/8	3/8"	0.28	1.77	2.76	1.42
SRT-2000-1/2	1/2"	0.35	2.17	3.54	1.54
SRT-2000-3/4	3/4"	0.47	2.36	3.54	1.69
SRT-2000-1	1"	0.59	2.76	4.13	1.81
SRT-2000-1 1/4	1-1/4"	0.79	3.15	4.72	2.09
SRT-2000-1 1/2	1-1/2"	0.98	3.39	5.12	2.32
SRT-2000-2	2"	1.26	4.02	5.51	2.56

### PRESSURE TEMPERATURE RATING

