

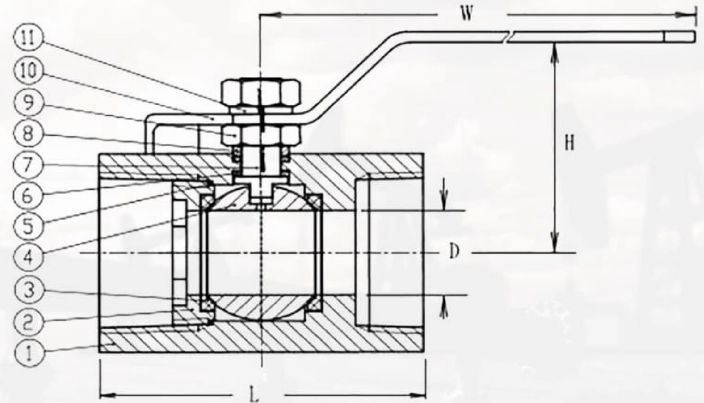
# VALVE SPEC SHEET



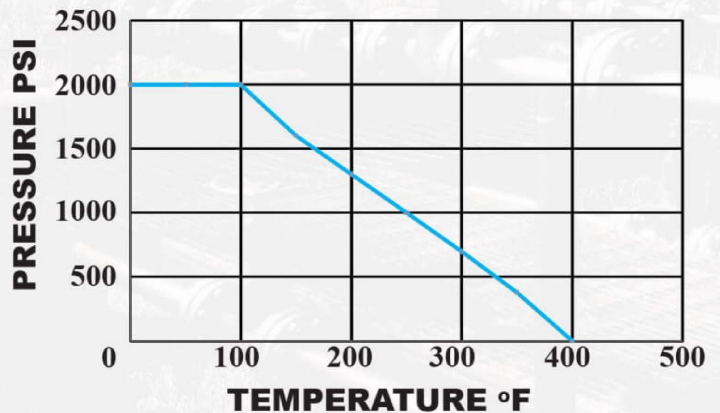
## ONE-PIECE 2000 PSI REDUCED PORT THREADED BALL VALVE

FORGED STEEL BODY  
 FLOATING BALL  
 BLOW-OUT PROOF STEM  
 NACE MR-0175 COMPLIANT  
 THREADS CONFORMS TO  
 ANSI B1.20.1, BS21, DN 259/2999

No	Part	Material
1	Body	ASTM A105
2	Cap	ASTM A105
3	Seat	RPTFE
4	Ball	AISI 304
5	Joint Gasket	PTFE
6	Thrust Washer	PTFE
7	Stem	AISI 316
8	Stem Packing	PTFE
9	Gland Nut	A194 Gr. 8
10	Handle	AISI 304
11	Washer	AISI 304
12	Handle Sleeve	PVC



### PRESSURE TEMPERATURE RATING



PART#	NPT	L (IN)	D	H	W
CRT-2000-1/4	1/4"	1.69	0.20	1.34	2.76
CRT-2000-3/8	3/8"	1.85	0.28	1.46	2.76
CRT-2000-1/2	1/2"	2.46	0.35	2.36	4.72
CRT-2000-3/4	3/4"	2.76	0.49	2.52	4.72
CRT-2000-1	1"	3.39	0.63	2.60	4.84
CRT-2000-1 1/4	1-1/4"	3.70	0.79	3.07	5.71
CFT-2000-1 1/2	1-1/2"	4.02	0.96	3.31	5.91
CRT-2000-2	2"	4.53	1.26	3.58	5.91