

Semi Cast P Traps • Spec Sheet



FEATURES & BENEFITS

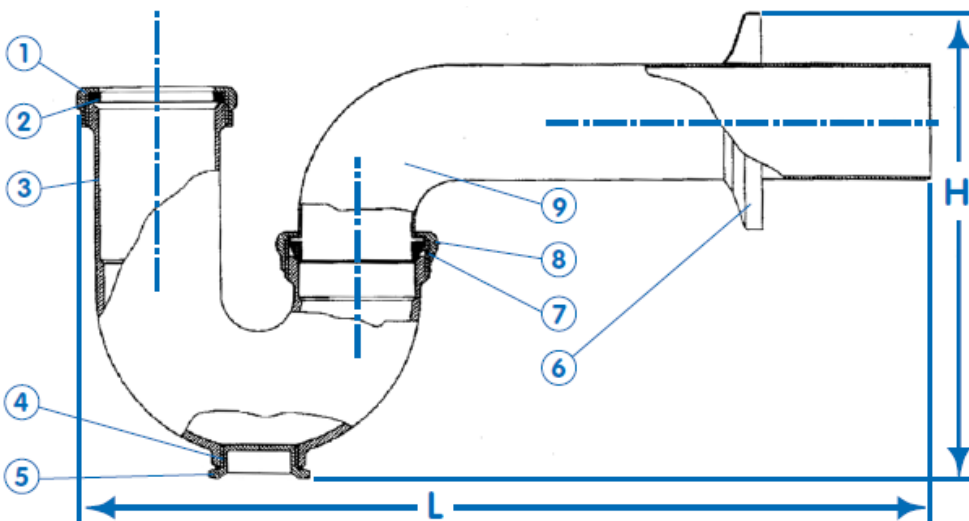
- Cast Brass J-Bend
- Commercial Quality
- 17 Gauge Wall Arm
- With Cleanout
- Chrome Plated Finish
- ISO 9001:2000

DIMENSIONS

Part #	Size	H	L
Trap-0606SC	1-1/4" x 1-1/4"	5.5	10.8
Trap-0706SC	1-1/2" x 1-1/4"	6.3	11.0
Trap-0707SC	1-1/2" x 1-1/2"	6.3	11.0

MATERIAL SPECIFICATIONS

No.	Part	Material
1	Slip Nut	Brass
2	Washer	Rubber
3	Cast Body	Brass
4	Clean Out Plug	PTFE
5	Bonnet	Brass
6	Flange	St. Steel
7	Gasket	Tapered PTFE
8	Slip Nut	Brass
9	Wall Arm	Brass



MATCO-NORCA
 Global sourcing. National compliance. Local service.

CALIFORNIA 5593 Fresca Dr., La Palma CA 90623 • Toll Free: 866-532-8306 • Fax: 866-532-8307
TEXAS 1150 Silber Rd., Houston TX 77055 • Toll Free: 800-935-5456 • Fax: 713-680-2999
NEW YORK PO Box 27, Rt. 22, Brewster NY 10509 • Toll Free: 800-431-2082 • Fax: 845-278-9056
 WEB: www.matco-norca.com EMAIL: mail@matco-norca.com