

SCV-054H Self Closing Bubbler • Spec Sheet



*Product will have LF imprinted on the body for Lead Free

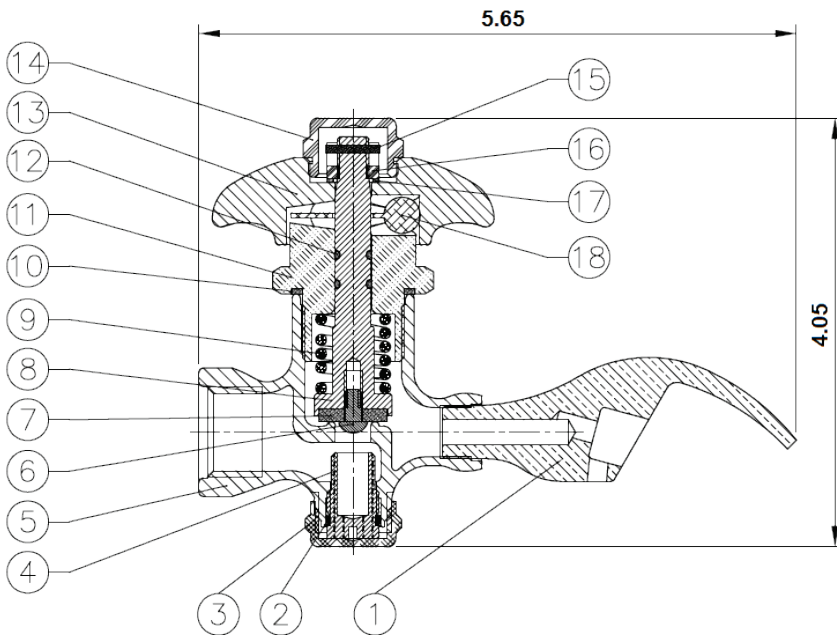
FEATURES & BENEFITS

- Self Closing Bubbler Faucet
- 1/2" Heavy Pattern
- NPT Female Thread
- NSF 61-9 & UPC Approved
- Chrome Plated

MATERIAL SPECIFICATIONS

No.	Part	Material
1	Spout	Brass C89550
2	O-Ring	BUNA SN-719F
3	Cap Nut	Brass C37700
4	Adjusting Nut	Brass C89550
5	Body	Brass C89550
6	Screw	Brass C89550
7	Washer	EPDM SE-719F
8	Stem	Brass C89550
9	Spring	Stainless Steel S.S.304
10	Washer	Plastic Delrin 500P NC010
11	Body Nut	Brass C89550
12	O-Ring	BUNA SN-719F
13	Handle	Brass C37700
14	Cap Nut	Brass C37700
15	Pin	Brass C37700
16	Screw Nut	Brass C37700
17	Washer	Brass C37700
18	Bearing Set	Brass C37700/S.S. 304

* These product complies with 0.25% weighted average lead content on wetted surfaces in accordance with Safe Water Drinking Act (SDWA) / Federal Public Law No. 111-380.



Global sourcing. National compliance. Local service.

CALIFORNIA 5593 Fresca Dr., La Palma CA 90623 • Toll Free: 866-532-8306 • Fax: 866-532-8307
TEXAS 1150 Silber Rd., Houston TX 77055 • Toll Free: 800-935-5456 • Fax: 713-680-2999
NEW YORK PO Box 27, Rt. 22, Brewster NY 10509 • Toll Free: 800-431-2082 • Fax: 845-278-9056
 WEB: www.matco-norca.com EMAIL: mail@matco-norca.com