

FY-695 Hose Bibb • Spec Sheet

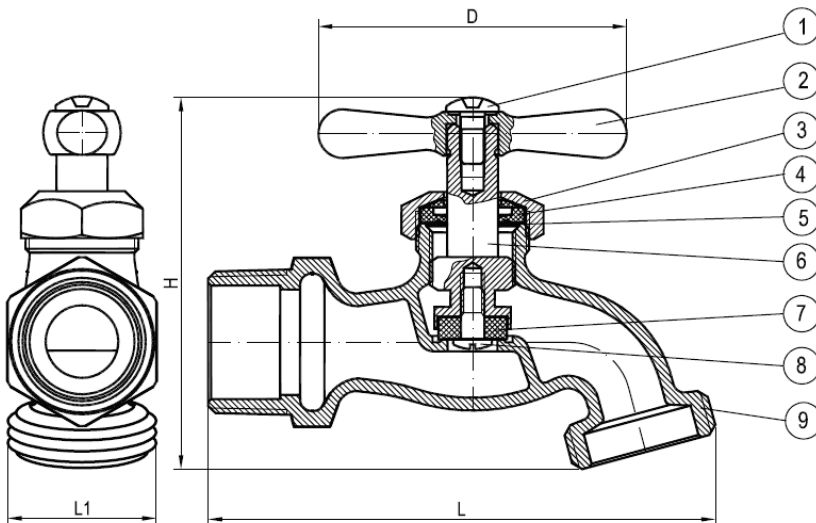


FEATURES & BENEFITS

- Chrome Plated Hose Bibb
- 3/4" Hose End Outlet
- 3/4" MIP Inlet

DIMENSIONS

Part #	Size	H	L	L1	D
FY-695	3/4" Male X 3/4" Hose	2.64	3.61	1.13	2.19



MATERIAL SPECIFICATIONS

No.	Part	Material
1	Bolt	Carbon Steel JIS G3507
2	Handle	Zinc Z30A 99,90-99-95%
3	Bonnet	Brass B124 C37700
4	Packing	NBR
5	Washer	Stainless Steel 304
6	Stem	Brass B124 C37700
7	Seat Packing	NBR
8	Seat Screw	Brass C2600W
9	Body	Brass B58 C85710


MATCO-NORCA
 Global sourcing. National compliance. Local service.

CALIFORNIA 5593 Fresca Dr., La Palma CA 90623 • Toll Free: 866-532-8306 • Fax: 866-532-8307
TEXAS 1150 Silber Rd., Houston TX 77055 • Toll Free: 800-935-5456 • Fax: 713-680-2999
NEW YORK PO Box 27, Rt. 22, Brewster NY 10509 • Toll Free: 800-431-2082 • Fax: 845-278-9056
 WEB: www.matco-norca.com EMAIL: mail@matco-norca.com