

760 Stainless Steel Ball Valve • Spec Sheet

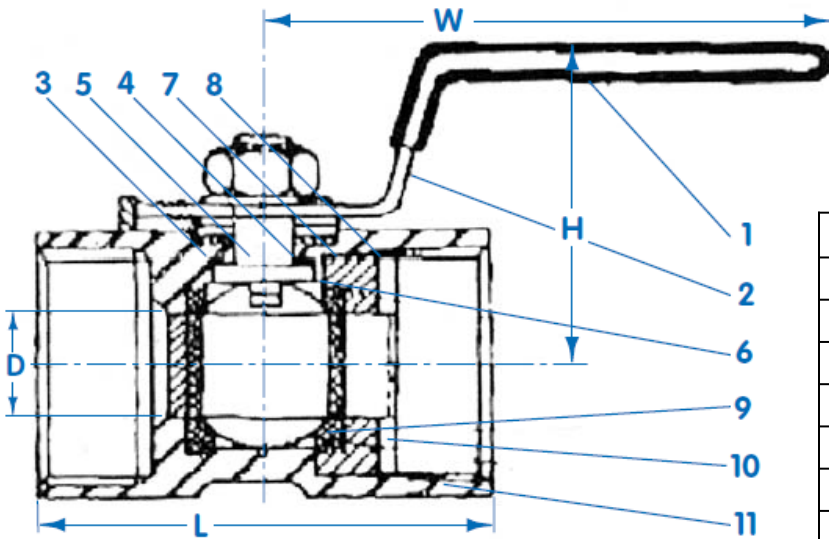


FEATURES & BENEFITS

- ISO 9002
- 1000 WOG 1/4" - 1 1/4"
- 800 WOG 1 1/2" - 2"
- Reduced Port
- 316 Stainless Steel Body
- One Piece Construction
- Threaded Ends Comply w/ANSI B2.1

DIMENSIONS

Size	Part #	H	D	L	W
1/4"	760T01	.87	.18	1.54	3.15
3/8"	760T02	1.02	.27	1.73	3.15
1/2"	760T03	1.22	.36	2.21	3.47
3/4"	760T04	1.34	.49	2.32	3.47
1"	760T05	1.50	.59	2.80	4.14
1-1/4"	760T06	1.69	.79	3.07	4.14
1-1/2"	760T07	1.97	.99	3.27	4.89
2"	760T08	2.25	1.26	3.94	4.89



MATERIAL SPECIFICATIONS

No.	Part	Material
1	Cover	Plastic
2	Handle	Stainless Steel AISI 304
3	Thrust Washer	PTFE
4	Packing Rings	Stainless Steel AISI 304
5	Stem Packing	PTFE
6	Seat	15%R-PTFE
7	Stem	Stainless Steel AISI 316
8	Stem Nut	Stainless Steel AISI 304
9	Ball	Stainless Steel CF8M-A351
10	Cap	Stainless Steel AISI 316
11	Body	Stainless Steel CF8M-A351

 **MATCO-NORCA**
Global sourcing. National compliance. Local service.

CALIFORNIA 5593 Fresca Dr., La Palma CA 90623 • Toll Free: 866-532-8306 • Fax: 866-532-8307
TEXAS 1150 Silber Rd., Houston TX 77055 • Toll Free: 800-935-5456 • Fax: 713-680-2999
NEW YORK PO Box 27, Rt. 22, Brewster NY 10509 • Toll Free: 800-431-2082 • Fax: 845-278-9056
 WEB: www.matco-norca.com EMAIL: mail@matco-norca.com