

754N Brass Ball Valve • Spec Sheet



FEATURES & BENEFITS

- ISO-9002
- Full Port
- 600 WOG - 150 SWP
- 400 WOG for 2 1/2" - 4"
- Max Working Temp. 248° F
- Nickel Plated Exterior
- Blow Out Proof Stem
- Threaded Ends Comply w/ ANSI B2.1
- Conforms to MSS-SP-110 Specifications
- Sizes 1/4" - 4"

APPLICATIONS:

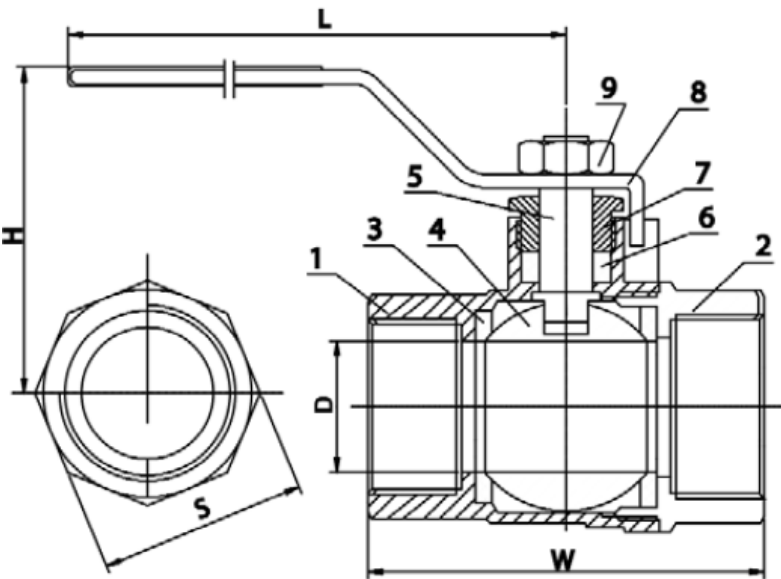
Commercial and Light Industrial /
Steam, Water, Oil, Gas, Air

MATERIAL SPECIFICATIONS

No.	Part	Material
1	Body	Brass C37700
2	End Cap	Brass C37700
3	Seat	PTFE
4	Ball	Brass C37700
5	Stem	Brass C37700
6	Stem Seal	PTFE
7	Gland	Brass C37700
8	Handle	C.P Carbon Steel
9	Nut	C.P Carbon Steel

DIMENSIONS

Size	Part #	S	D	H	L	W
1/4"	754T01N	0.79	0.39	0.75	3.54	1.75
3/8"	754T02N	0.79	0.39	0.69	3.54	1.75
1/2"	754T03N	0.90	0.58	1.97	3.54	2.05
3/4"	754T04N	1.20	0.75	2.20	3.94	2.36
1"	754T05N	1.50	0.94	2.56	4.80	2.76
1-1/4"	754T06N	1.80	1.20	2.91	4.80	3.31
1-1/2"	754T07N	2.09	1.50	3.50	5.91	3.66
2"	754T08N	2.60	1.90	3.82	5.91	4.18
2-1/2"	754T09N	3.36	2.50	4.75	8.75	5.37
3"	754T10N	3.94	3.10	5.22	9.40	6.25
4"	754T11N	4.92	3.88	6.25	10.00	7.38



MATCO-NORCA

Global sourcing. National compliance. Local service.

CALIFORNIA 5595 Fresca Dr., La Palma CA 90623
TEXAS 1150 Silber Rd., Houston TX 77055
ILLINOIS 278 Windy Point Dr., Glendale Heights, IL 60139
GEORGIA 113 Industrial Blvd., Americus, Georgia 31709
NEW YORK PO Box 27, Rt.22, Brewster NY 10509
 WEB: www.matco-norca.com

• Phone: 866-532-8306 • Fax: 866-532-8307
 • Phone: 800-935-5456 • Fax: 713-680-2999
 • Phone: 844-412-5068 • Fax: 800-640-2252
 • Phone: 800-433-7526 • Fax: 800-533-5134
 • Phone: 800-431-2082 • Fax: 845-278-9056
 EMAIL: mail@matco-norca.com