

203IFLF Inverted Nose Garden Valve • Spec Sheet



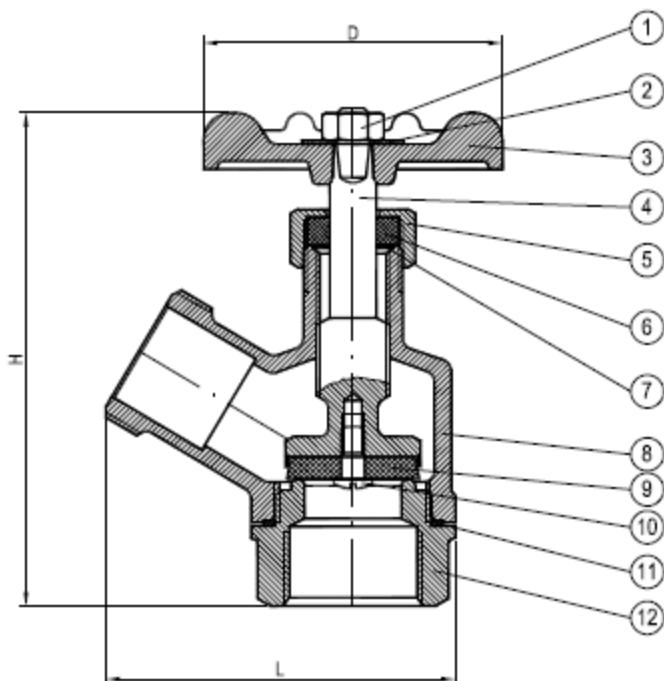
FEATURES & BENEFITS

- Lead Free Brass*
- 125 WOG
- ISO-9002
- Hose X 3/4" FIP

DIMENSIONS

Part #	Size	H	L	D
203IF4LF	3/4" X 3/4"	3.55	2.36	2.13

MATERIAL SPECIFICATIONS



No.	Part	Material
1	Wheel Nut	Hot Rolled SAE. 1010R
2	Name Plate	Aluminum
3	Handle Wheel	Cast Iron
4	Stem	Brass C89550
5	Packing Nut	Brass C89550
6	Packing	Rubber SAE No. 1052#
7	Washer	Stainless Steel 304/306
8	Body	Brass C89550
9	Seat Washer	Rubber SAE No. 1052#
10	Seat Screw	Brass C89550
11	Packing	Rubber SAE No. 1052#
12	Bonnet	Brass C89550

* This product complies with 0.25% weighted average lead content on wetted surfaces in accordance with CA AB1953.

