

200MD Ductile Iron Gate Valve • Spec Sheet



FEATURES & BENEFITS

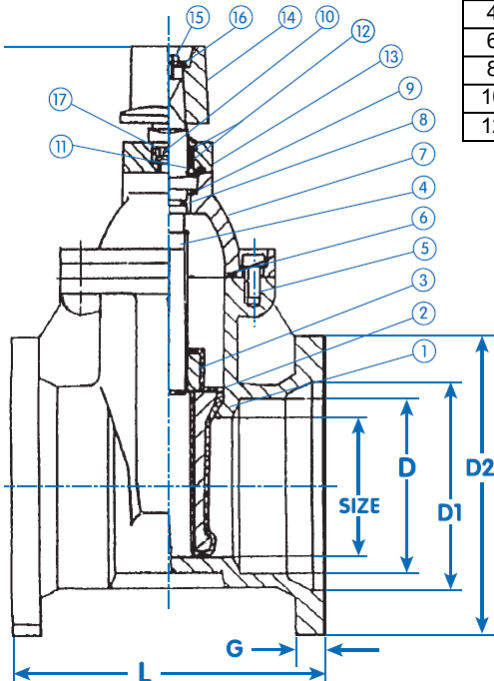
- Ductile Iron Body
- Resilient Wedge
- Mechanical Joint Ends
- Fusion Epoxy Coated - AWWA C550
- Non Rising Stem
- 250 CWP
- Meets AWWA C-515 standard
- Mechanical Joint Ends Conform with AWWA C111/A21.11
- Sizes 2" - 12"

APPLICATIONS

Potable Water, Water Distribution Services & Feed Lines,
Sewage Disposal, Irrigation, Turf, Golf Course

DIMENSIONS

Size	Part #	L	D2	D1	D	G	H	Bolt Circle	Qty x Dia Bolt Hole	Approx. WT. LBS
2"	200MD08	8.6	6.30	3.5	2.68	.59	9.85	4.88	2 x .75	28
3"	200MD10	8.0	7.62	4.9	4.06	.59	12.46	6.19	4 x .75	44
4"	200MD11	9.0	9.12	6.0	4.94	.60	13.35	7.50	4 x .88	69
6"	200MD13	10.5	11.06	8.1	7.11	.63	16.57	9.50	6 x .88	119
8"	200MD14	11.5	13.31	10.3	9.16	.66	20.75	11.75	8 x .88	203
10"	200MD15	13.0	15.62	12.3	11.21	.70	24.33	14.00	8 x .88	278
12"	200MD16	14.0	17.88	14.4	13.31	.73	27.56	16.25	8 x .88	421



Enlarged Drawing On Page 2
(Click Here)

MATERIAL SPECIFICATIONS

No.	Part	Material	ASTM Designation
1	Body	Ductile Iron	A536 65/45/12
2	Disc	Ductile Iron Rubber Encapsulated	A536 65/45/12 / BUNA-N
3	Stem Nut	Bronze	B584 UNS C83600
4	Stem	Stainless Steel	AISI 410 UNS S41000
5	Bonnet Bolt	Stainless Steel	GR 304
6	Bonnet Gasket	BUNA-N	Commercial
7	Bonnet	Ductile Iron	A536 65/45/12
8	Split Ring	Brass	B16 UNS C36000
9	Thrust Washer	Stainless Steel	GR 304
10	Packing Box Bolt	Stainless Steel	GR 304
11	Packing Box Gasket	BUNA-N	Commercial
12	O-Rings	BUNA-N	Commercial
13	Packing Box	Ductile Iron	A536 65/45/12
14	Operating Nut	Ductile Iron	A536 65/45/12
15	Top Bolt	Stainless Steel	GR 304
16	Washer	Stainless Steel	AISI 410 UNS S41000
17	Wiper Ring	BUNA-N	Commercial

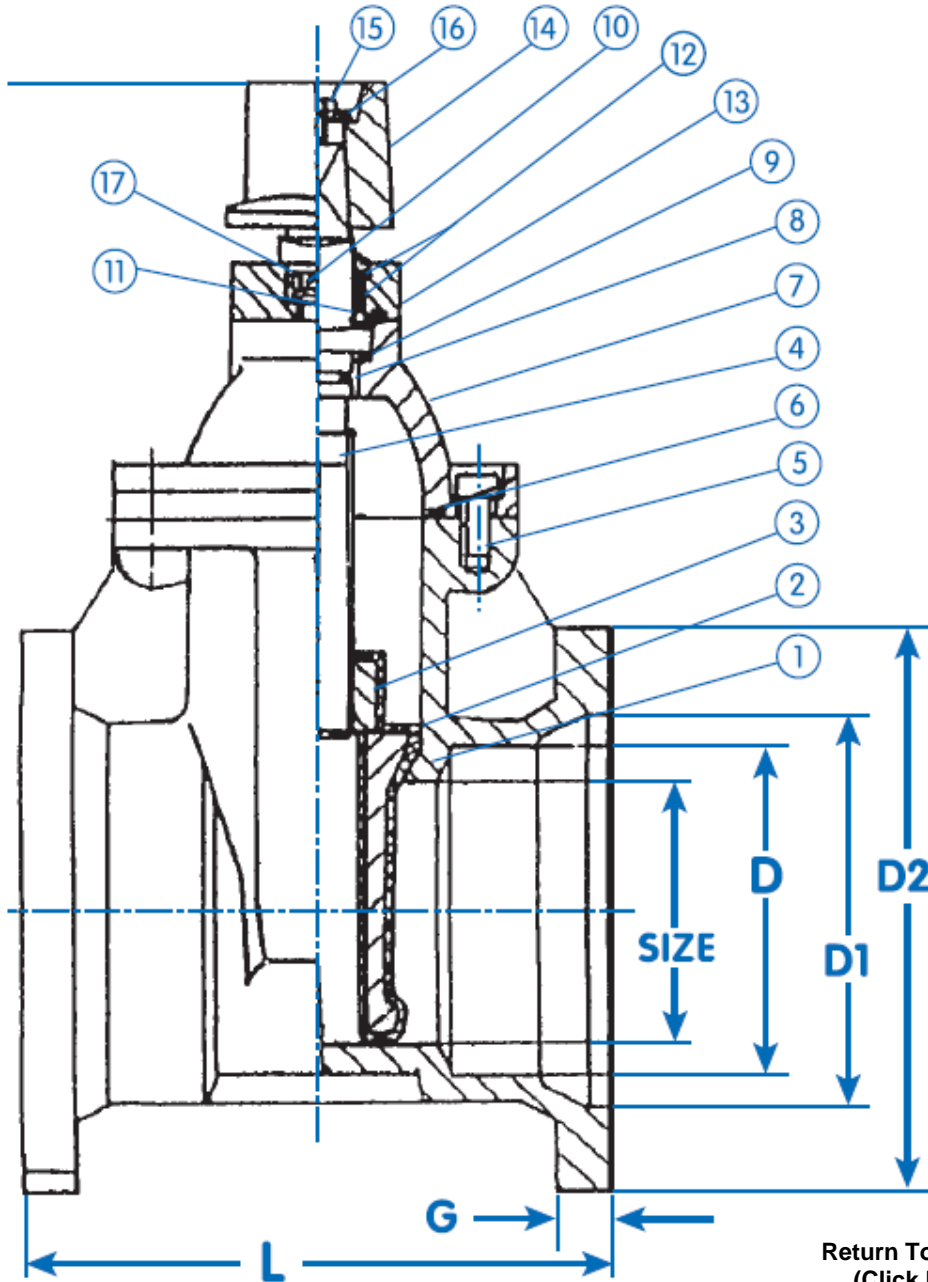


MATCO-NORCA

Global sourcing. National compliance. Local service.

CALIFORNIA 5593 Fresca Dr., La Palma CA 90623 • Toll Free: 866-532-8306 • Fax: 866-532-8307
TEXAS 1150 Silber Rd., Houston TX 77055 • Toll Free: 800-935-5456 • Fax: 713-680-2999
NEW YORK PO Box 27, Rt. 22, Brewster NY 10509 • Toll Free: 800-431-2082 • Fax: 845-278-9056
 WEB: www.matco-norca.com EMAIL: mail@matco-norca.com

200MD Ductile Iron Gate Valve • Spec Sheet



[Return To Page 1
\(Click Here\)](#)

 **MATCO-NORCA**
Global sourcing. National compliance. Local service.

CALIFORNIA 5593 Fresca Dr., La Palma CA 90623 • Toll Free: 866-532-8306 • Fax: 866-532-8307
TEXAS 1150 Silber Rd., Houston TX 77055 • Toll Free: 800-935-5456 • Fax: 713-680-2999
NEW YORK PO Box 27, Rt. 22, Brewster NY 10509 • Toll Free: 800-431-2082 • Fax: 845-278-9056
WEB: www.matco-norca.com EMAIL: mail@matco-norca.com

200MD Ductile Iron Gate Valve • Spec Sheet

Valve Closure Wheel Rotation Specification for 200MD, WD & RTD Series Gate Valves

The following table notes how many Stem/Wheel rotations are required to completely open or close the 200MD/WD&RTD Series Valves.

Valve Size	Turns to Shut Off
2"	7
2-1/2"	9
3"	13
4"	16
6"	18
8"	24
10"	30
12"	36

