

150F Cast Iron Globe Valve • Spec Sheet

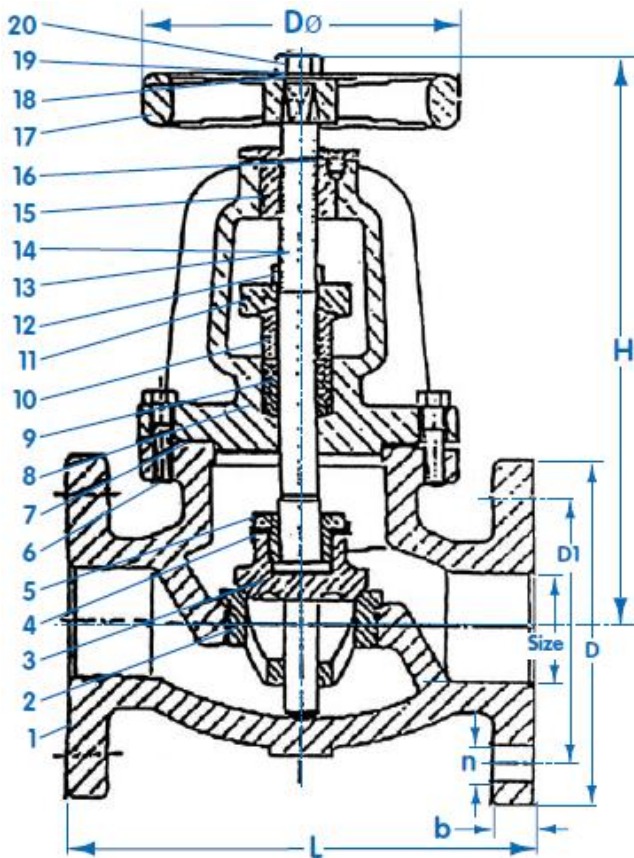


FEATURES & BENEFITS

- Globe Valve - Flanged Ends
- 200 WOG - 125 SWP
- Bituminous Coating
- Bolted Bonnet
- Outside Screw & Yoke Rising Stem
- MSS-SP-85 Conformance
- Flanged Ends Conform with ANSI B16.1
- Sizes 2" - 8"

DIMENSIONS

Size	L	D	D1	b	n	DØ	H	Cv	Approx Wt. LBS
2"	8.0	5.99	4.77	.63	4	7.01	10.20	45	35.3
2-1/2"	8.5	7.01	5.52	.69	4	7.01	11.82	70	46.3
3"	9.5	7.49	6.01	.75	4	7.88	12.53	105	57.3
4"	11.5	9.01	7.51	.94	8	10.01	15.84	195	97.8
6"	14.0	11.01	9.51	1.00	8	11.82	18.87	465	183.0
8"	19.5	13.51	11.76	1.13	8	13.71	21.16	860	297.6



MATERIAL SPECIFICATIONS

No.	Part	Material	ASTM Designation
1	Body	Cast Iron	A126 Class B
2	Seat Ring	Cast Bronze	B62
3	Disc	Cast Bronze	B62
4	Disc Washer	Brass	B16
5	Swivel Nut	Cast Brass	B584
6	Bolt	Steel	A307-B
7	Body Gasket	Non-Asbestos	
8	Bonnet	Cast Iron	A126 Class B
9	Packing	Non-Asbestos	
10	Packing Gland	Steel	B584
11	Gland Follower	Ductile Iron	A536 65-45-12
12	Bolt	Steel	A307-B
13	Nut	Steel	A307-B
14	Stem	Brass	B16
15	Yoke Bushing	Cast Bronze	B62
16	Screw	Steel	A307-B
17	Handwheel	Cast Iron	A126 Class B
18	Identification Plate	Aluminum	
19	Washer	Steel	A307-B
20	Nut	Steel	A307-B

MATCO-NORCA

Global sourcing. National compliance. Local service.

CALIFORNIA 5595 Fresca Dr., La Palma CA 90623
TEXAS 1150 Silber Rd., Houston TX 77055
ILLINOIS 278 Windy Point Dr., Glendale Heights, IL 60139
GEORGIA 113 Industrial Blvd., Americus, Georgia 31709
NEW YORK PO Box 27, Rt.22, Brewster NY 10509
 WEB: www.matco-norca.com

• Phone: 866-532-8306 • Fax: 866-532-8307
 • Phone: 800-935-5456 • Fax: 713-680-2999
 • Phone: 844-412-5068 • Fax: 800-640-2252
 • Phone: 800-433-7526 • Fax: 800-533-5134
 • Phone: 800-431-2082 • Fax: 845-278-9056
 EMAIL: mail@matco-norca.com