

# B GATE VALVES- BOLTED BONNET- FULL & REDUCED PORT

BONNEY FORGE

**800 LB.**

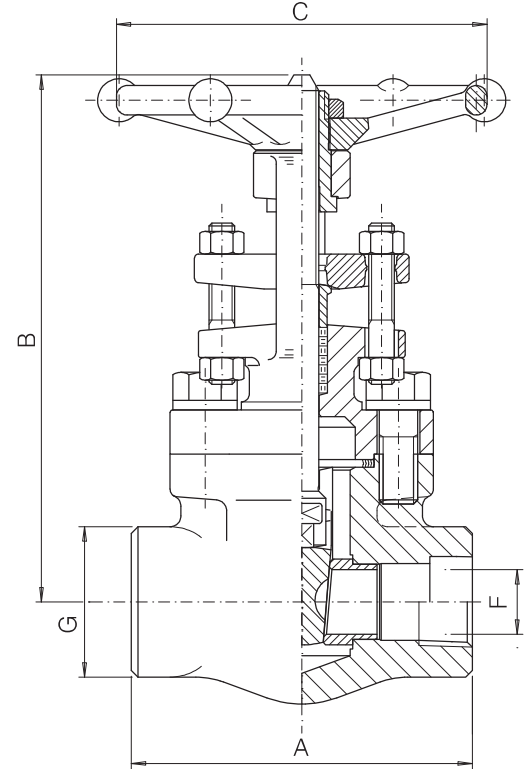
**1500 LB.**

**Design construction:**

- API 602 - ASME B16.34 - BS 5352
- Testing according to API 598
- Marking MSS SP25
- Outside Screw and Yoke (OS&Y)
- Self aligning two piece packing gland
- Spiral-wound gasket
- Integral backseat
- Socket Weld Ends to ASME B16.11
- Screwed Ends (NPT) to ASME B1.20.1
- Butt Welding Ends to ASME B16.25

**Ratings:**

- carbon steel class 800 1975 psig @ 100°F  
138 bar + 38°C
- carbon steel class 1500 3705 psig @ 100°F  
255 bar + 38°C



		FULL PORT — FIG. H 10								
		SIZE	inch mm	1/4 6	3/8 10	1/2 15	3/4 20	1 25	1 1/4 32	1 1/2 40
<b>800 LB.</b>	A	inch mm	3.15 80	3.15 80	3.54 90	4.33 110	5 127	5 127	5.28 134	6 152
	B open	inch mm	5.98 152	5.98 152	6.22 158	7.72 196	8.86 225	10.04 255	11.42 290	14.09 358
	C	inch mm	3.46 88	3.46 88	3.46 88	3.82 97	5.43 138	5.43 138	5.43 138	6.77 172
	F	inch mm	.31 8	.38 9.6	.55 14	.71 18	.94 24	1.18 30	1.48 36.5	1.83 46.5
	G	inch mm	1.26 32	1.26 32	1.50 38	1.89 48	2.20 56	2.52 64	3.07 78	3.35 85
	Weight	lb. kg	4.5 2.1	4.5 2.1	5 2.3	8.25 3.7	13 5.9	16.25 7.4	18.3 8.3	27.5 12.5
	PACKING		BH2	BH2	BH2	BH4	BH5	BH6	BY5	BH8
	GASKET		G2	G2	G2	G3	G4	G6	G11	G10

		REDUCED PORT — FIG. HL 10					
		SIZE	inch mm	1/2 15	3/4 20	1 25	1 1/2 40
<b>800 LB.</b>	A	inch mm	3.15 80	3.54 90	4.33 110	5 127	5.28 134
	B open	inch mm	5.98 152	6.22 158	7.72 196	10.04 255	11.42 290
	C	inch mm	3.46 88	3.46 88	3.82 97	5.43 138	5.43 138
	F	inch mm	.38 9.6	.55 14	.71 18	1.18 30	1.48 36.5
	G	inch mm	1.26 32	1.5 38	1.89 48	2.52 64	3.07 78
	Weight	lb. kg	4.25 1.9	5 2.3	7.75 3.6	16 7.3	16.75 7.6
	PACKING		BH2	BH2	BH4	BH6	BY5
	GASKET		G2	G2	G3	G6	G11

		FULL PORT — FIG. 9H 10								
		SIZE	inch mm	1/4 6	3/8 10	1/2 15	3/4 20	1 25	1 1/4 32	1 1/2 40
<b>1500 LB.</b>	A	inch mm	3.54 90	3.54 90	4.33 110	5 127	5 127	5 127	5 127	8.27 210
	B open	inch mm	6.02 153	6.02 153	7.48 190	8.66 220	9.84 250	11.10 282	11.42 290	13.58 345
	C	inch mm	3.46 88	3.46 88	3.82 97	5.43 138	5.43 138	5.43 138	5.43 138	6.77 172
	F	inch mm	.31 8	.38 9.6	.55 14	.71 18	.94 24	1.18 30	1.48 36.5	1.89 48
	G	inch mm	1.50 38	1.50 38	1.89 48	2.20 56	2.52 64	3.07 78	3.07 78	3.35 85
	Weight	lb. kg	5.25 2.4	5.25 2.4	9 4.1	13.75 6.2	17.5 8	23 10.5	24.25 11	44 20
	PACKING		BH3	BH3	BH5	BH6	2B4	BY7	2B5	9B8
	GASKET		G1	G1	G2	G3	G4	G5	G7	G8

		REDUCED PORT — FIG. 9HL 10					
		SIZE	inch mm	1/2 15	3/4 20	1 25	1 1/2 40
<b>1500 LB.</b>	A	inch mm	3.54 90	4.33 110	5 127	5 127	8.27 210
	B open	inch mm	5.98 152	7.48 190	8.66 220	11.10 282	13.58 345
	C	inch mm	3.46 88	3.82 97	5.43 138	5.43 138	5.43 138
	F	inch mm	.38 9.6	.55 14	.71 18	1.18 30	1.48 36.5
	G	inch mm	1.5 38	1.89 48	2.20 56	3.07 78	3.35 85
	Weight	lb. kg	5.25 2.4	8.5 3.9	13.25 6.1	23.75 10.8	45.25 20.5
	PACKING		BH3	BH5	BH6	2B5	BH8
	GASKET		G1	G2	G3	G5	G7