
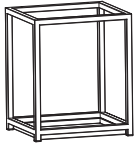








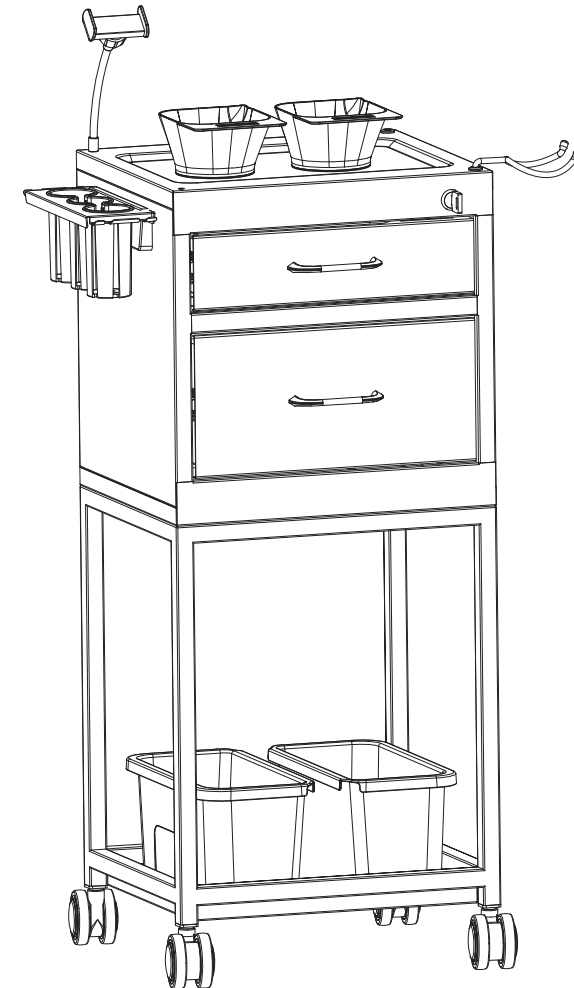


Instruction Manual

PART LIST

A: Cabinet with drawers	B: Metal Frame	C: Handle with Screws	D: Wheels
1PCS	1PCS	2PCS	4PCS
			
E: Appliance Holders	F: Dryer Holder	G: Mobile Phone Holder	H: Deep Tray
1PCS	1PCS	1PCS	2PCS
			
I: Magnetic Bowl	J: Screws and Tool		
2PCS	1SET		
			

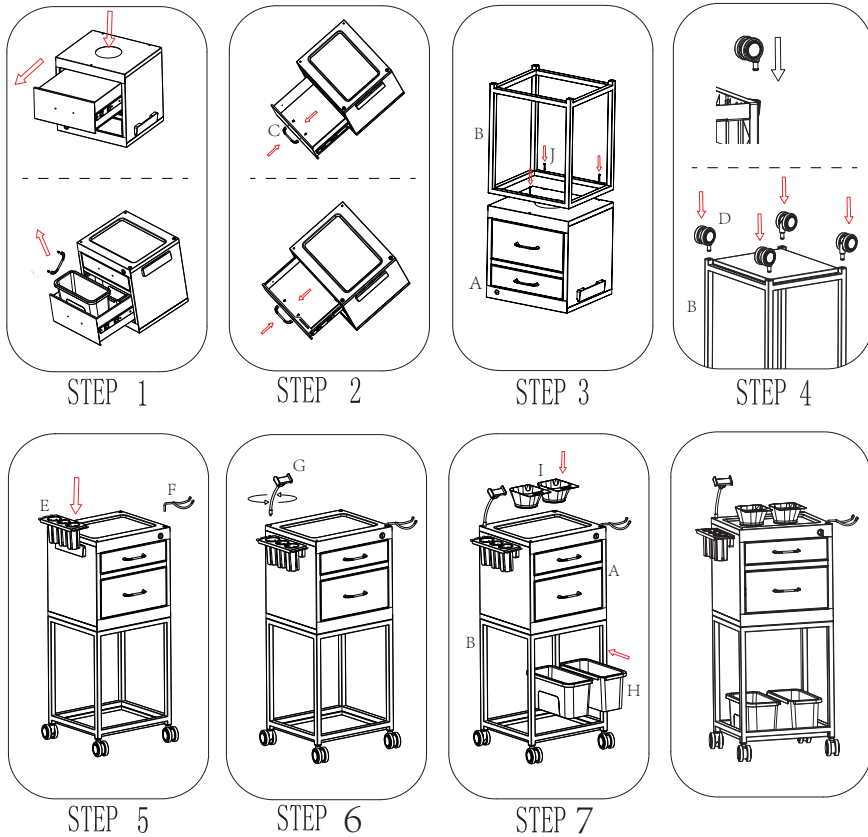


METAL SALON TROLLEY

Designed by and for Professionals



Installation



- Step 1: Open the larger drawer by pushing it through the round hole in the bottom of the cabinet, and take out all the parts including the keys.
- Step 2: Attach the Handles(C) to the drawers with screws
- Step 3: Connect the Cabinet(A) to the Metal Frame(B) with Screws(J)
- Step 4: Push the wheels(D) into the holes in the bottom of the Metal Frame(B)
- Step 5: Attach the Appliance Holders(E) and Dryer Holder(F) as shown on diagram
- Step 6: Screw the Mobile Phone Holder(G) into one of the screw holes in the top
- Step 7: Attach the Magnetic Bowls(I) to any surface of the cabinet(A), put the Deep Trays(H) on the bottom of the Metal Frame(B)

FEATURES

- Heavy duty design, made of premium powder-coated steel
- 2 Spacious metal drawers smoothly slide on tracks
- Lockable upper drawer for secure storage
- Heat-resistant appliance holders for 3 hot tools
- Universal dryer holder for all types of dryers including Dyson
- 2 innovative Magnetic Bowls attach to any surfaces of the trolley
- 2 plastic buckets can be clipped on the sides or put on the bottom
- Ultra smooth rolling wheels, noiseless and hair-resistant

