



KELLER INTERNATIONAL, LLC

1431 LAKE RD, HAMLIN NY 14464

Info@kellerinternational.com

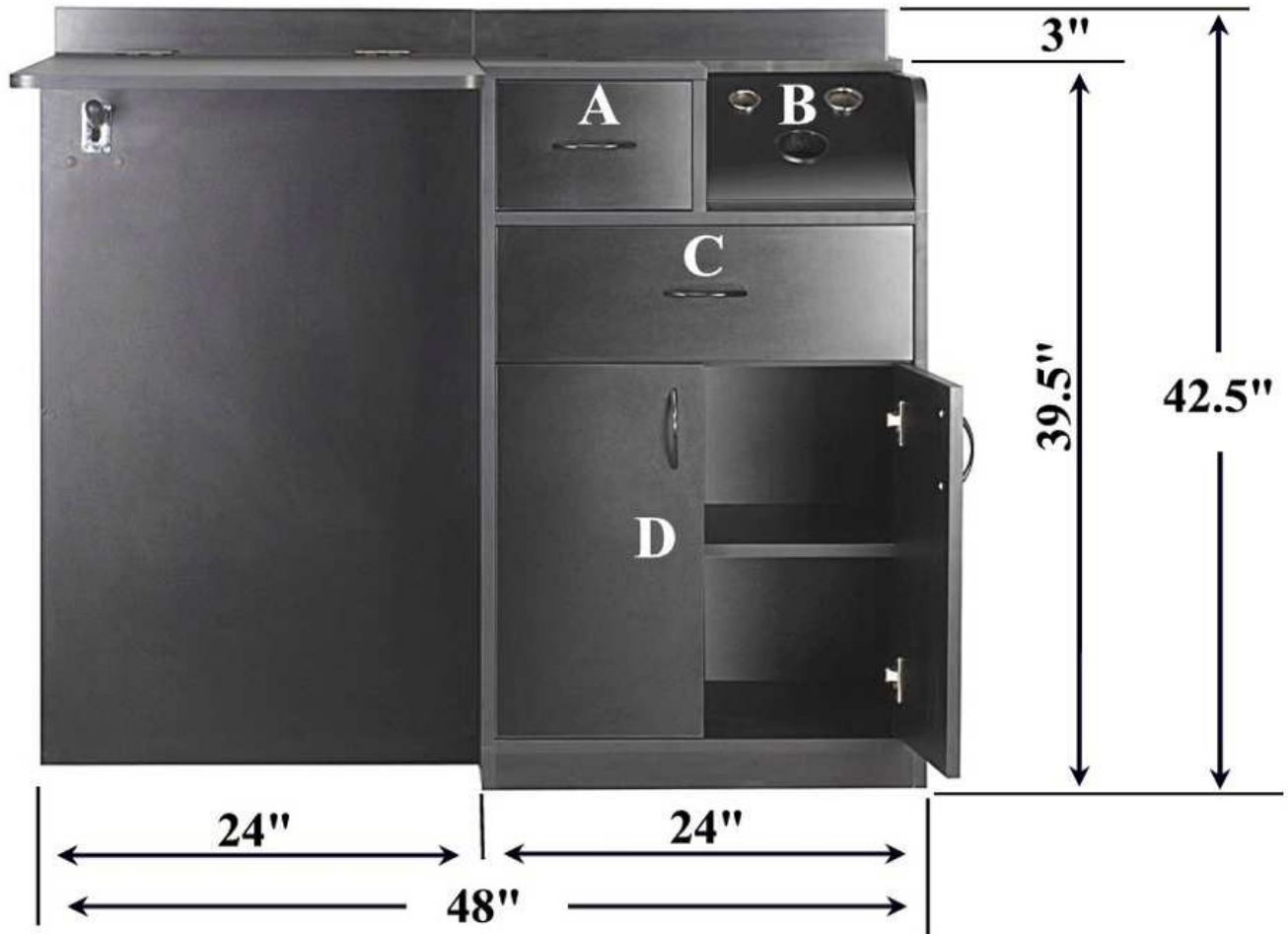
T: 1-800-578-8772 ▪ F: 1-585-964-8093

KELLER4SALON.COM

KF-010-A Wet Styling Station



KF-010-A Wet Styling Station



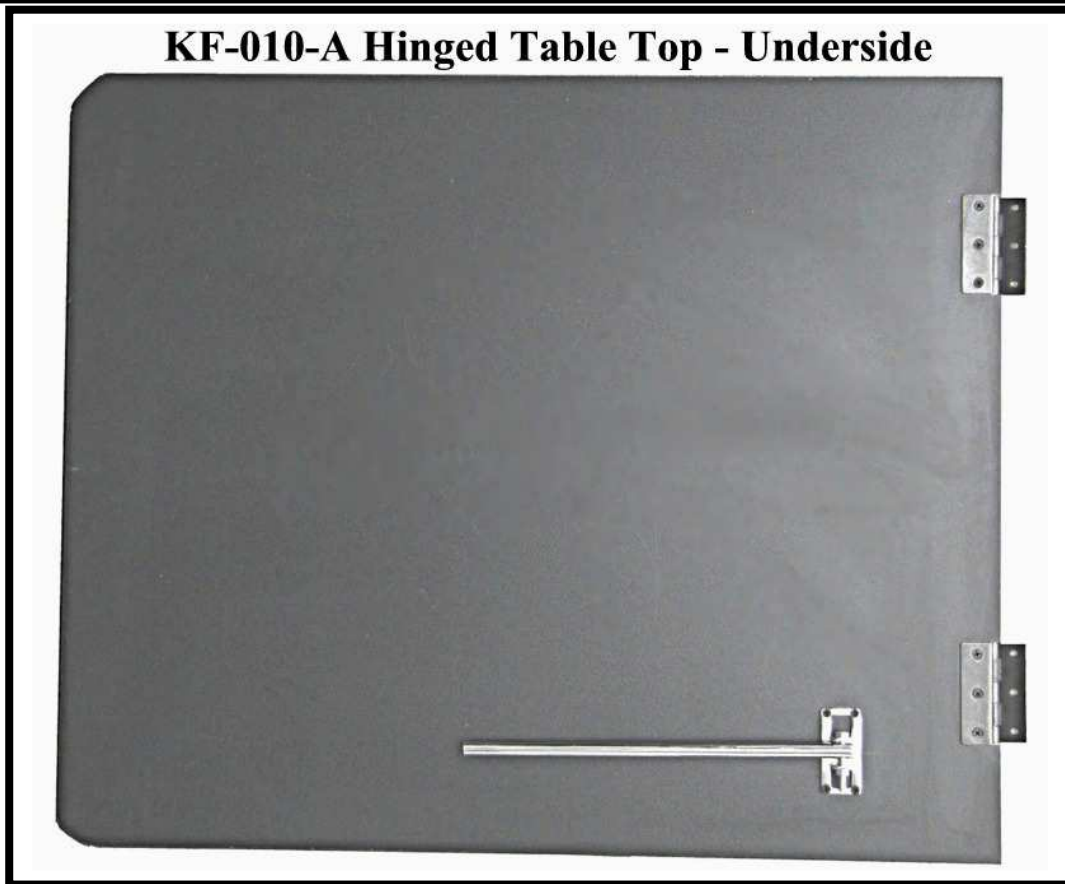
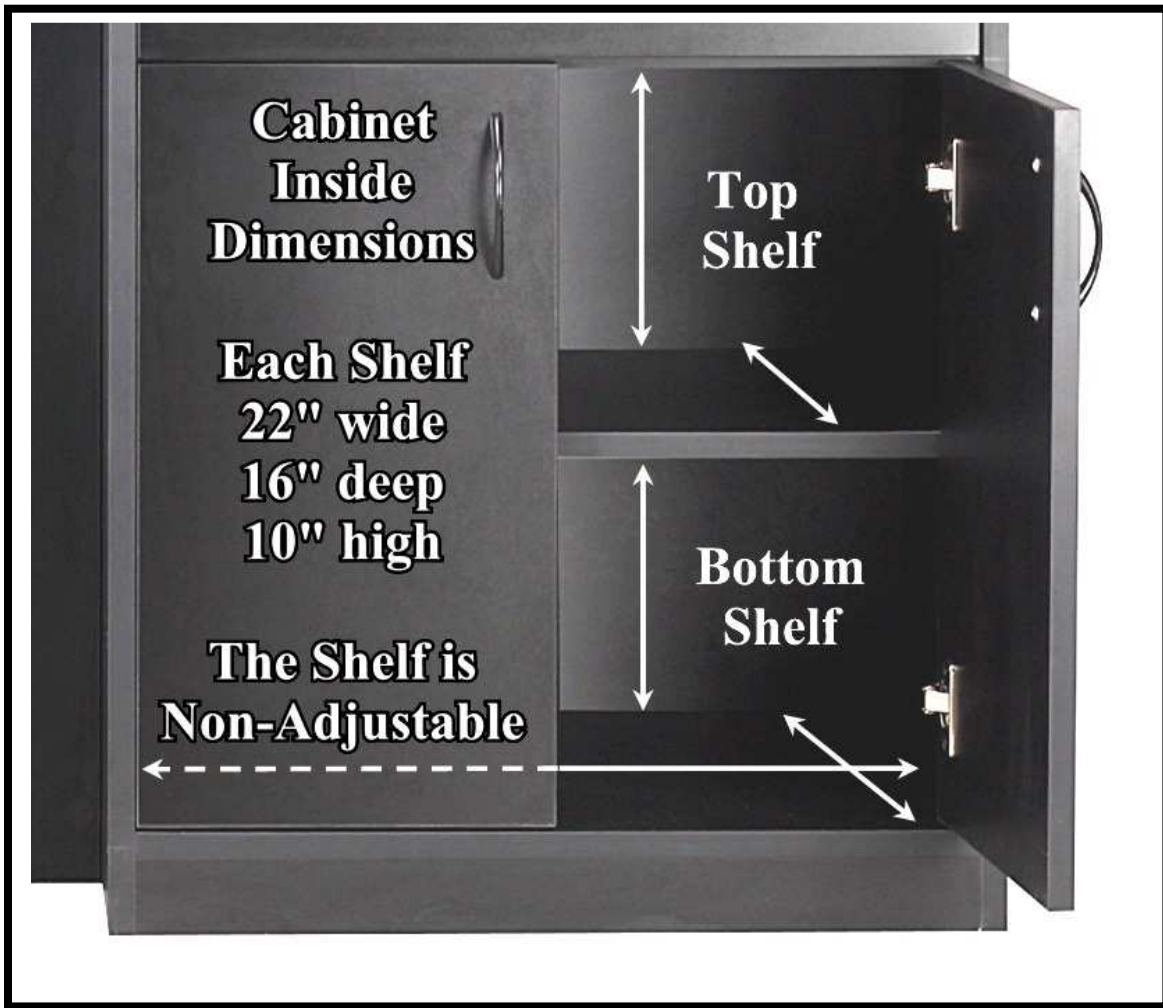
KF-010-A Wet Styling Station

Effective Dimensions:

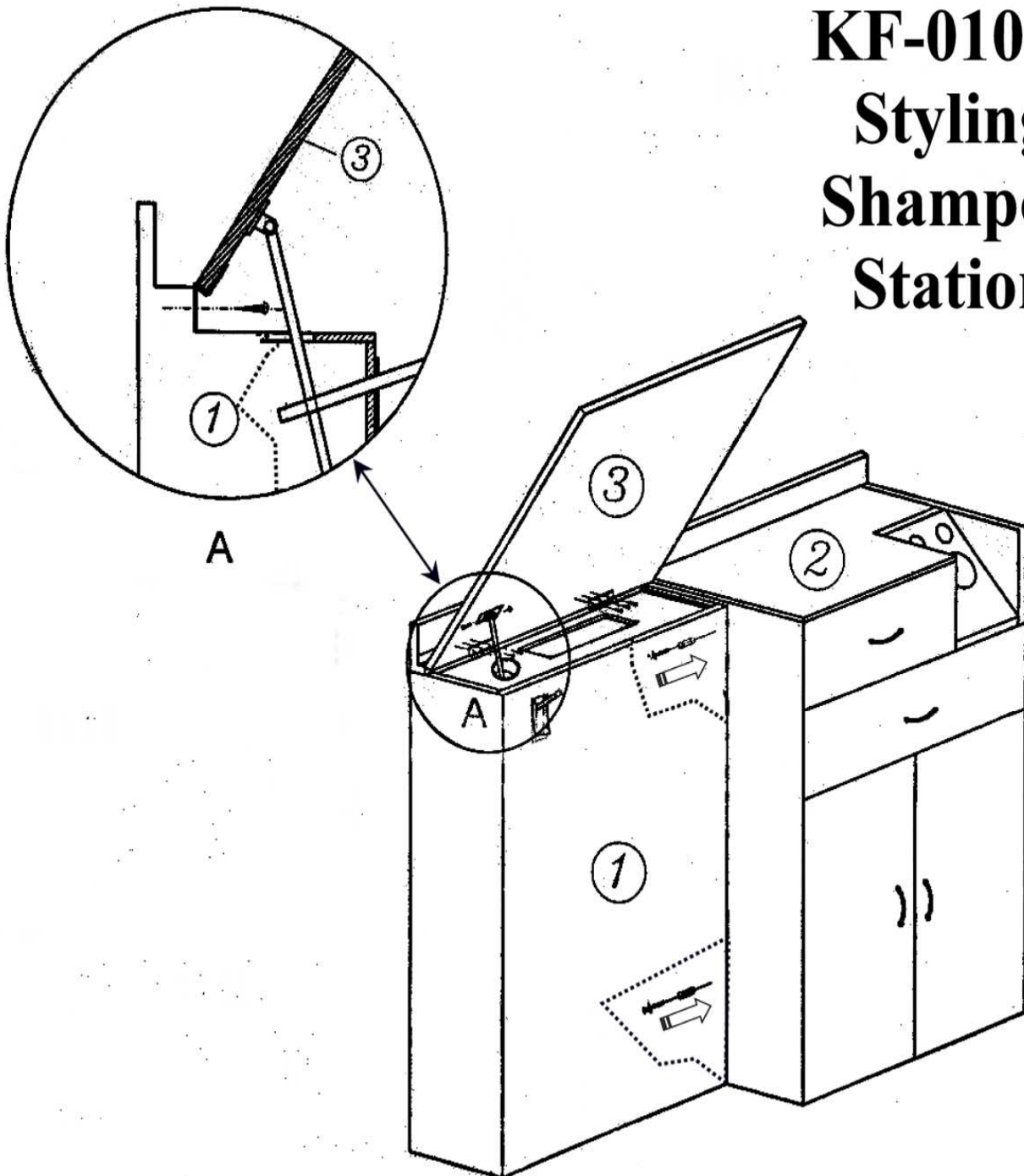
A = 8" wide / 10" deep / 6" high

B = Appliance Holders
1 3/8" / 1 3/4" / 2 1/2"

C = 22" wide / 10" deep / 6" high



KF-010-A Styling Shampoo Station



1. Assemble unit near its final location.
2. Connect Cabinet 1 to Cabinet 2 with supplied hardware.
3. Attach the Table Top (3) to Cabinet 1 (see A).
4. Connect Lift Lever to the Lever Wedge (see A).

NOTE: Shampoo Bowl Sold Separately.

The assembly directions for this Station have more detailed information.