



KELLER INTERNATIONAL, LLC

1431 Lake Rd. Hamlin, NY 14464

info@kellerinternational.com

1-800-578-8772 | Fax: 1-585-964-8093

Keller4salon.com

K3012 Hydraulic Facial Table Manual

This is a very stable facial bed that incorporates a rectangular base and an extra heavy duty pump.

The pump base and facial bed top needs to be parallel as shown in the picture for client services. This allows for safe operation. Plus your feet and body are close to the bed.



See Parts List Below:

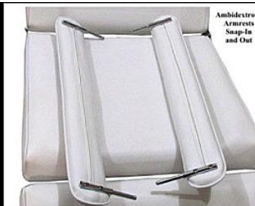
M10 by 80mm
Hex Head Bolt



10mm Split Ring
Lock Washer



10mm Flat Washer



Important Safety Instructions:

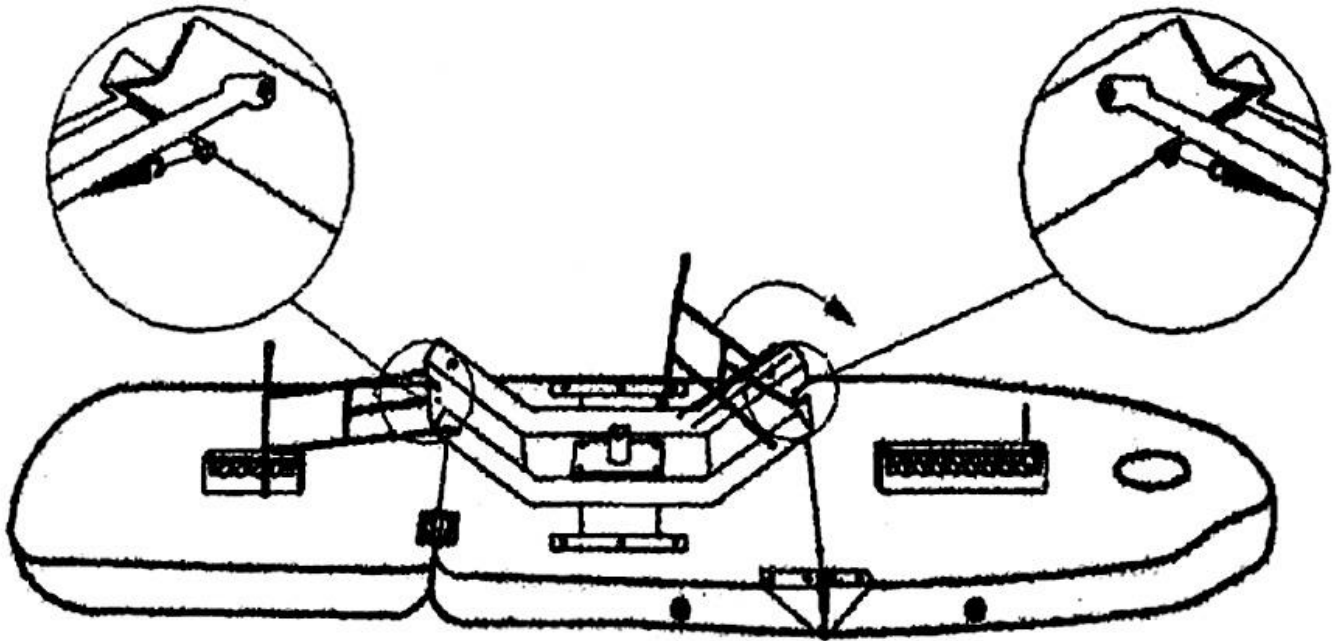
- **Create a Safety First Program**
- Place facial bed top and bottom pump base in parallel working direction at all times as seen on page one.
- Always lower facial bed to lowest position and lock the pump brake by pulling up on it.
- With table in down position and pump locked always assist the customer on to the center of the table and off center of table.
- Never rotate the bed with a customer on the table.
- Pump the Foot Pedal downwards to raise the Facial Bed.
- Pull UP on the Foot Pedal to Lock the Pump Shaft - so the Facial Bed will not rotate.
- To lower the facial bed push DOWN on the Foot Pedal to release the Brake and hold all the way DOWN to drop the Bed to lowest position.
- Never sit on cantilevered foot or headrest section of facial table.
- **Inspect unit daily before usage. Plus general maintenance and bolt tightening inspections should be done every 6 months.**

Facial bed can be rotated 360 degrees safely when there are no clients on the table.

Always have facial table top and bottom in the stable parallel or lengthwise direction to work.



UNSAFE working relationship between base and table top shown in this picture..



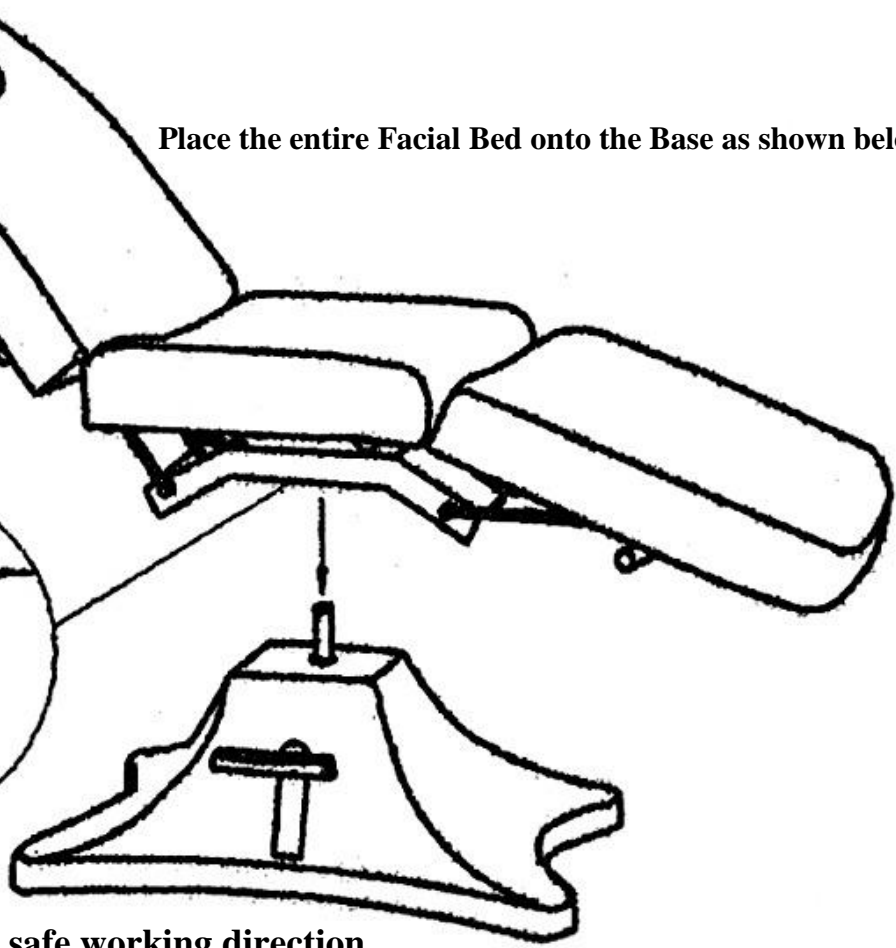
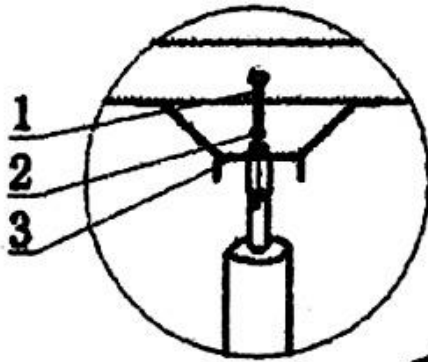
- Remove the Facial Bed from the shipping box.
- Lay the Facial Bed on a flat, clean surface (as shown above) and remove the plastic wrap.
- Connect the Handle Bars to the Z-Bars (see below).



- The spring should already be attached to each of the two Handle Bars.
- Remove one screw from the Z-Bar so the Flat Bar can be swiveled aside while the Handle Bar is positioned into a groove.
- Once the Handle Bar is positioned into a groove – swivel the Flat Bar back to its original position and reinstall the screw.
- The entire Facial Bed is now ready to be turned right side up and positioned onto the Base.
- See page 3 for more information about the Base.

Place the entire Facial Bed onto the Base as shown below.

Install the 10mm bolt,
Lock Washer and Flat
Washer as shown.

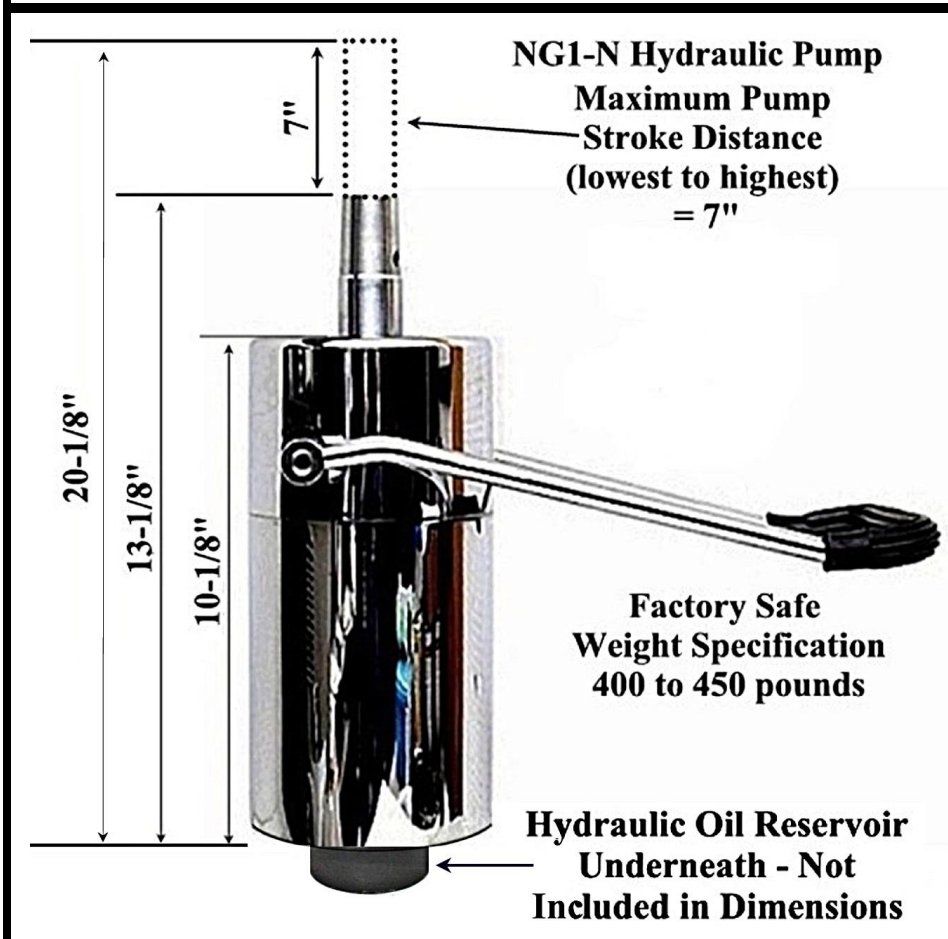


Picture shown in safe working direction



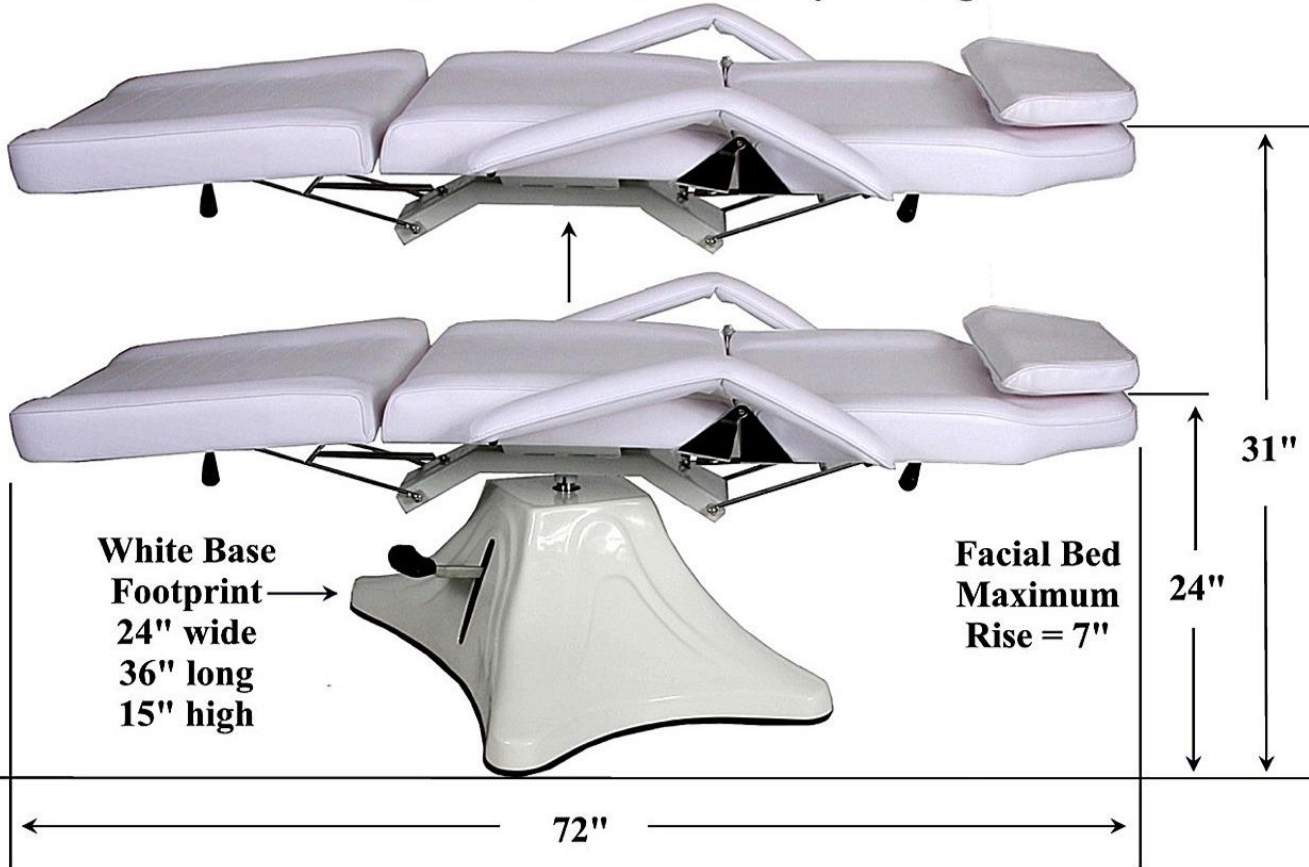


Install the 10mm bolt,
Lock Washer and Flat
washer as shown.

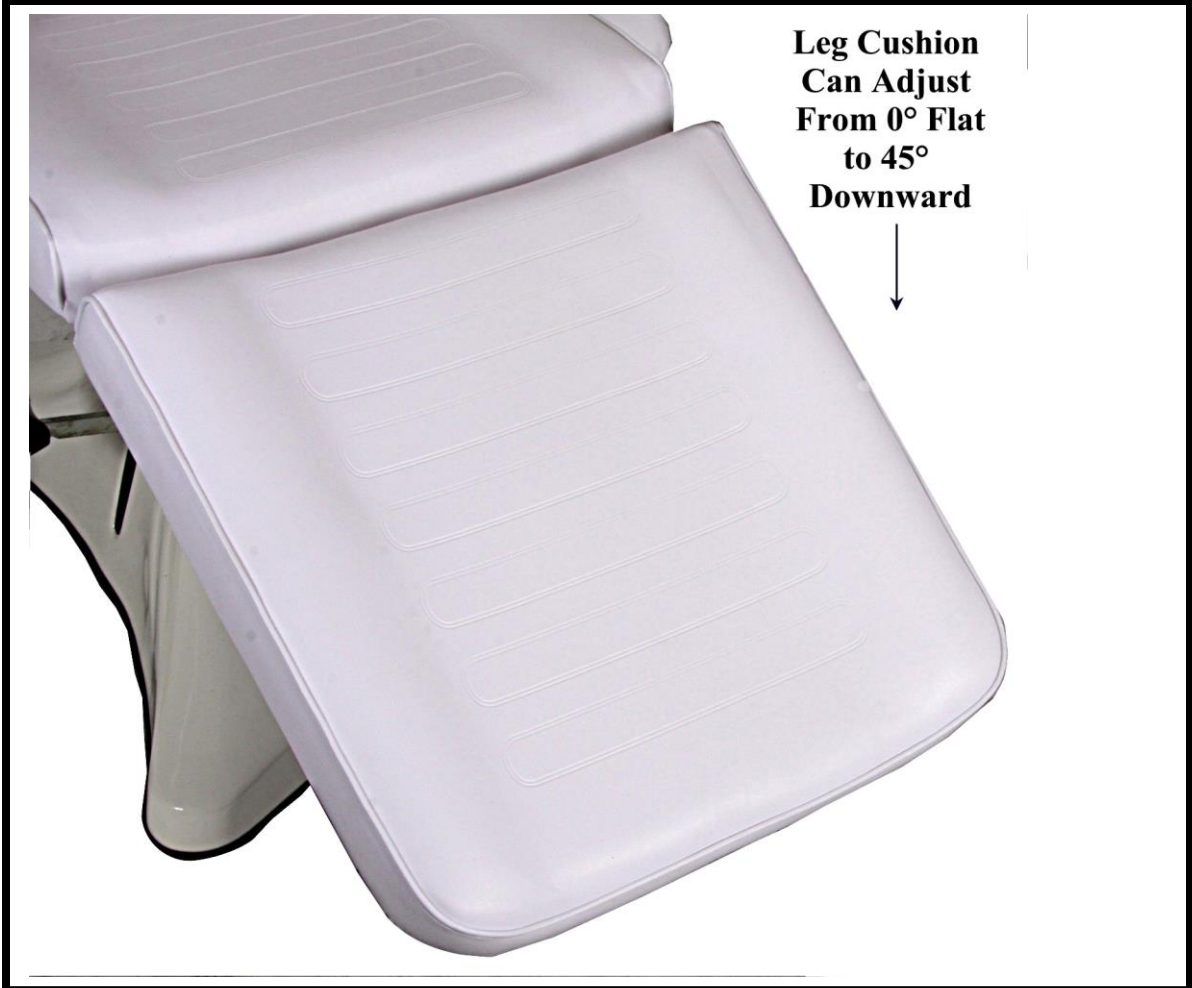


- The NG1-N Hydraulic Pump has a higher "Factory Safe Weight Specification (450 pounds)" than the Facial Bed (375 pounds).
- The NG1-N Hydraulic Pump is the same pump used in the Keller Barber Chairs (2 year warranty).
- The NG1-N Hydraulic Pump is bolted to the Heavy Duty Metal Base under the White Enameled Fiberglass Cover and has a different Foot Pedal designed for the Facial Bed than the one shown at left.

**Leg Cushion is 24" wide by 24" long
 Seat Cushion is 24" wide by 22" long
 Back Cushion is 24" wide by 26" long**



- The Back Cushion is designed to lie flat or adjust upward to an 80° angle (see pg.6 picture)
- The Leg Cushion can adjust from 0° to 45° downward angle (see pg.6 picture).
- Vinyl is guaranteed to be free from defects upon receipt.



**Heavy Duty Metal Base & Hydraulic Pump
with a White Enameled Fiberglass Cover**

Armrests are Removable

Chair Can Rotate 360 Degrees

**Face Cut-Out
Under the Pillow**

**Factory Safe
Weight
Specification:
375 pounds**



**Foot Pumper
Raises & Lowers
the Chair**



**Foot Pumper
Also Activates
the Braking**



**Back & Leg Cushions
can be lifted UP by
pulling UP on the
cushions. Cushions
going DOWN require
pulling the Handle
Bars out of the Z-Bar
grooves first.**