



KELLER INTERNATIONAL, LLC

1431 LAKE RD, HAMLIN NY 14464

Info@kellerinternational.com

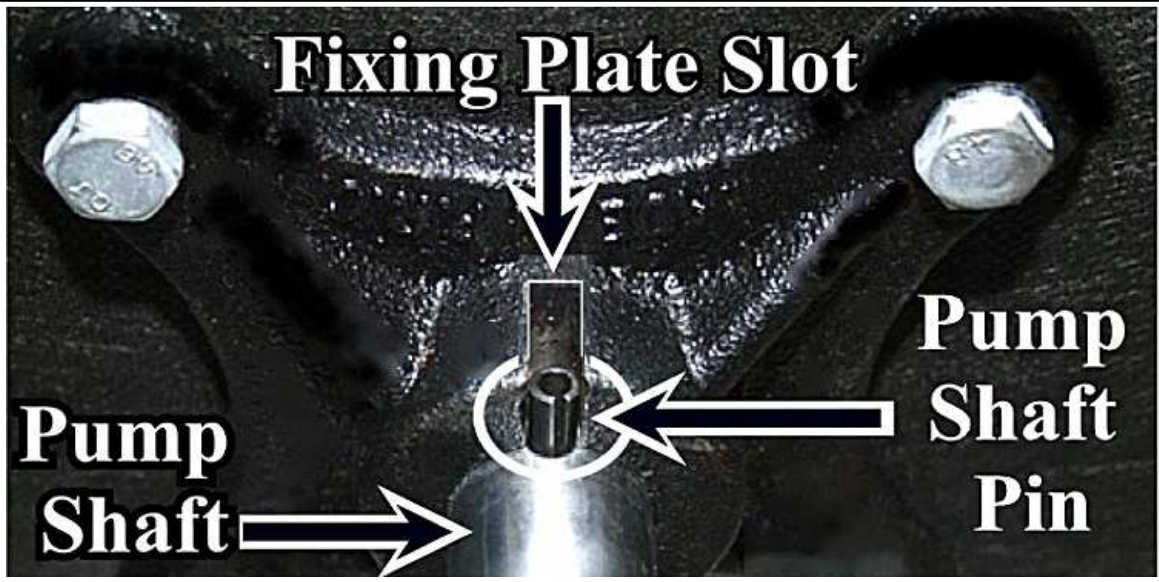
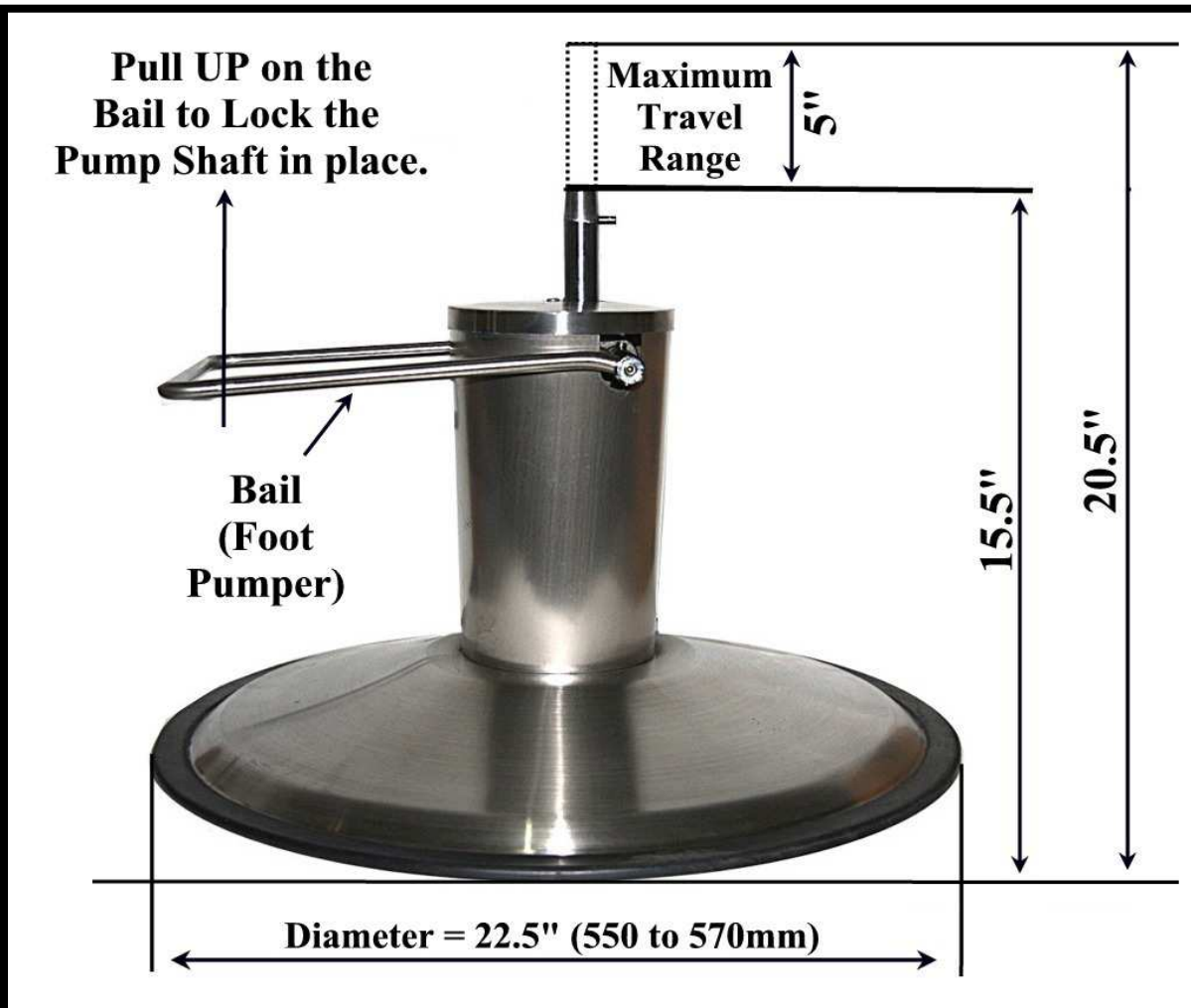
T: 1-800-578-8772 • F: 1-585-964-8093

KELLER4SALON.COM

K2429 All Purpose Chair



This Chair ships in One Box of 4 parts. Total weight when assembled = 80 pounds.



Place the chair top onto the hydraulic pump shaft as shown above – the pump shaft pin only needs to catch the slot – it does not need to go all the way up the slot. Sit on the chair to better seat the pump shaft pin into the fixing plate slot. Pulling UP on the foot bail will lock the pump shaft in place – while the pin in the slot will prevent the chair from rotating.

K2429 All Purpose Chair



Seat Cushion: 20" wide by 18" deep

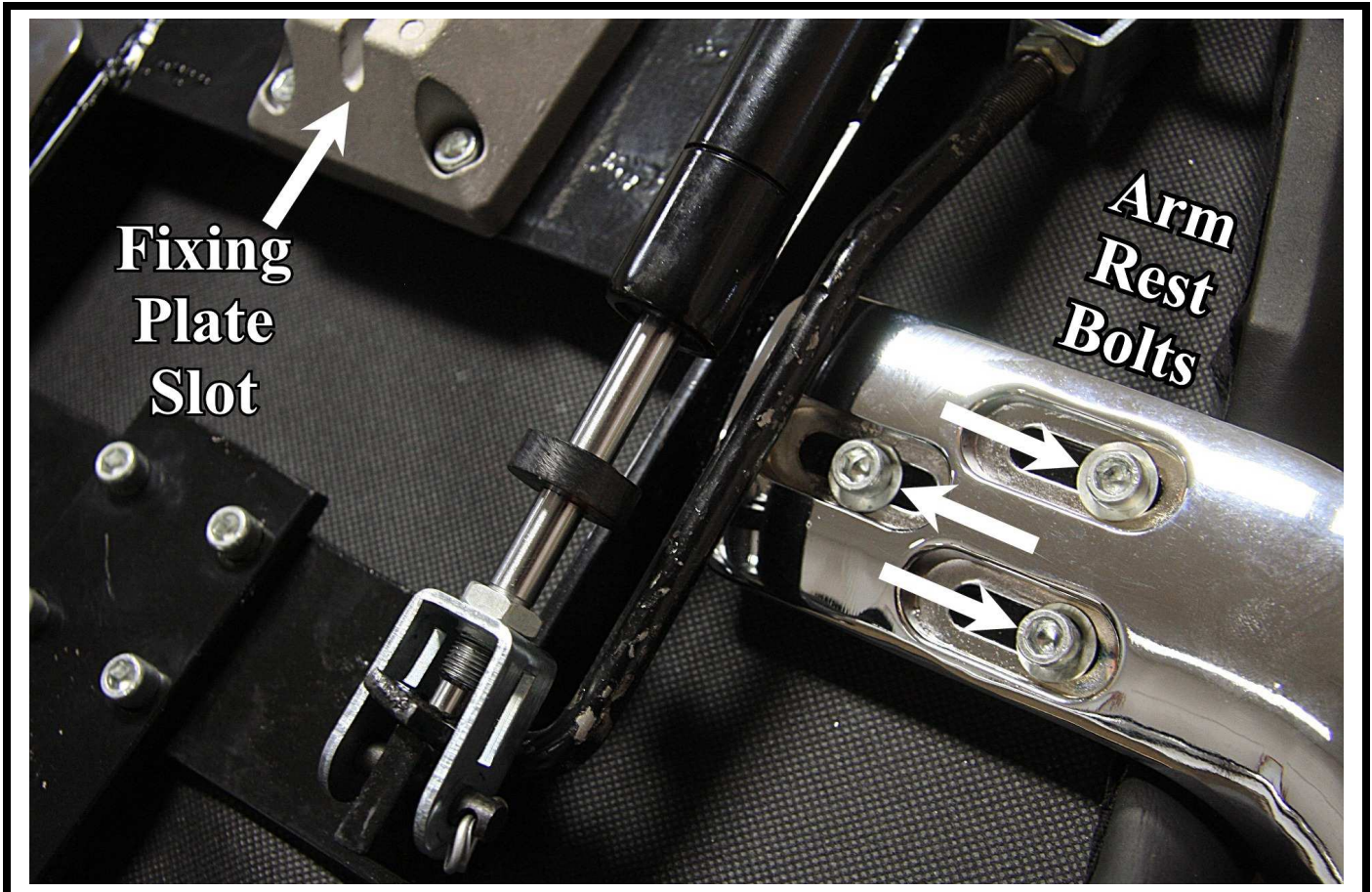
Seat Cushion: 2.5" thick

Back Cushion: 19" wide by 17" high

Armrests: Inside to Inside = 21.5"

Armrests: Outside to Outside = 25.5"

- **The maximum travel range for the pump shaft is 5."**
- **When the All Purpose Chair is in its Lowest Position:**
 - **The floor to seat height is 20.5."**
 - **The floor to the Top of the Back Cushion is 34.5."**
 - **The floor to the Top of the Headrest is 39.5."**
- **When the All Purpose Chair is pumped UP to its Highest Position:**
 - **The floor to seat height is 25.5."**
 - **The floor to the Top of the Back Cushion is 39.0."**
 - **The floor to the Top of the Headrest is 44.0."**
- **The Reclining Lever is on the Right Side (as you sit in the chair).**
 - **Only one side has the reclining lever.**
- **Armrests can be adjusted (from underneath) to create more seat width.**
 - **Seat width range is from 21.5" to approximately 24.0."**
 - **See page 4 – top picture.**



Chromed Armrests with Black Accents









- **The Base was specifically designed for this K2429 All Purpose Chair.**
 - **The base can be upgraded to an HG1, Highland, or HG1 Base.**
 - **Check the Parts on the Keller Website for more information.**
 - **The Tin Can Base can also be used on all Keller Styling Chairs.**
- **The Vinyl is a Smooth, Satin Finish.**
- **Call Keller's at 1-800-578-8772 for further information.**