



KELLER INTERNATIONAL, LLC

1431 LAKE RD, HAMLIN NY 14464

Info@kellerinternational.com

T: 1-800-578-8772 ▪ F: 1-585-964-8093

KELLER4SALON.COM

K2097 Barrel Barber Chair

This Barber Chair is Assembled Inside the Shipping Container – although the Footrest and Headrest will Need to be Installed.

**Factory Safe Weight Specification
400 to 450 pounds**



**Total Weight
200 pounds**



Dimensions

Headrest

8" wide by 7" high by 5" thick

Seat Cushion

22" wide by 19" deep by 6" thick

Back Cushion

20" wide by 16" high

Armrests

Inside to Inside = 22"

Outside to Outside = 32"

Floor to Top of Seat Height

Lowest = 23"

Highest = 30"

Calfpad

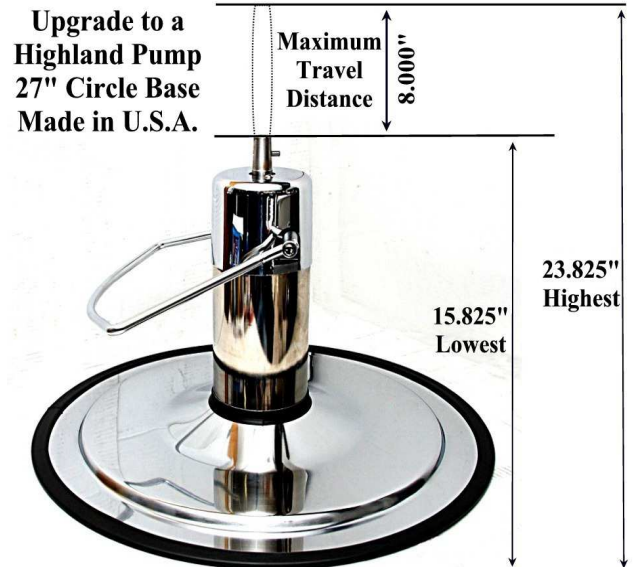
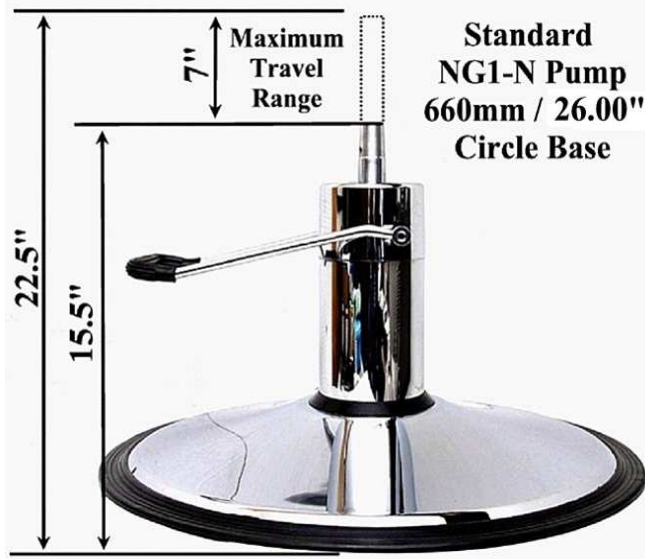
21" wide by 10" high

Treadplate

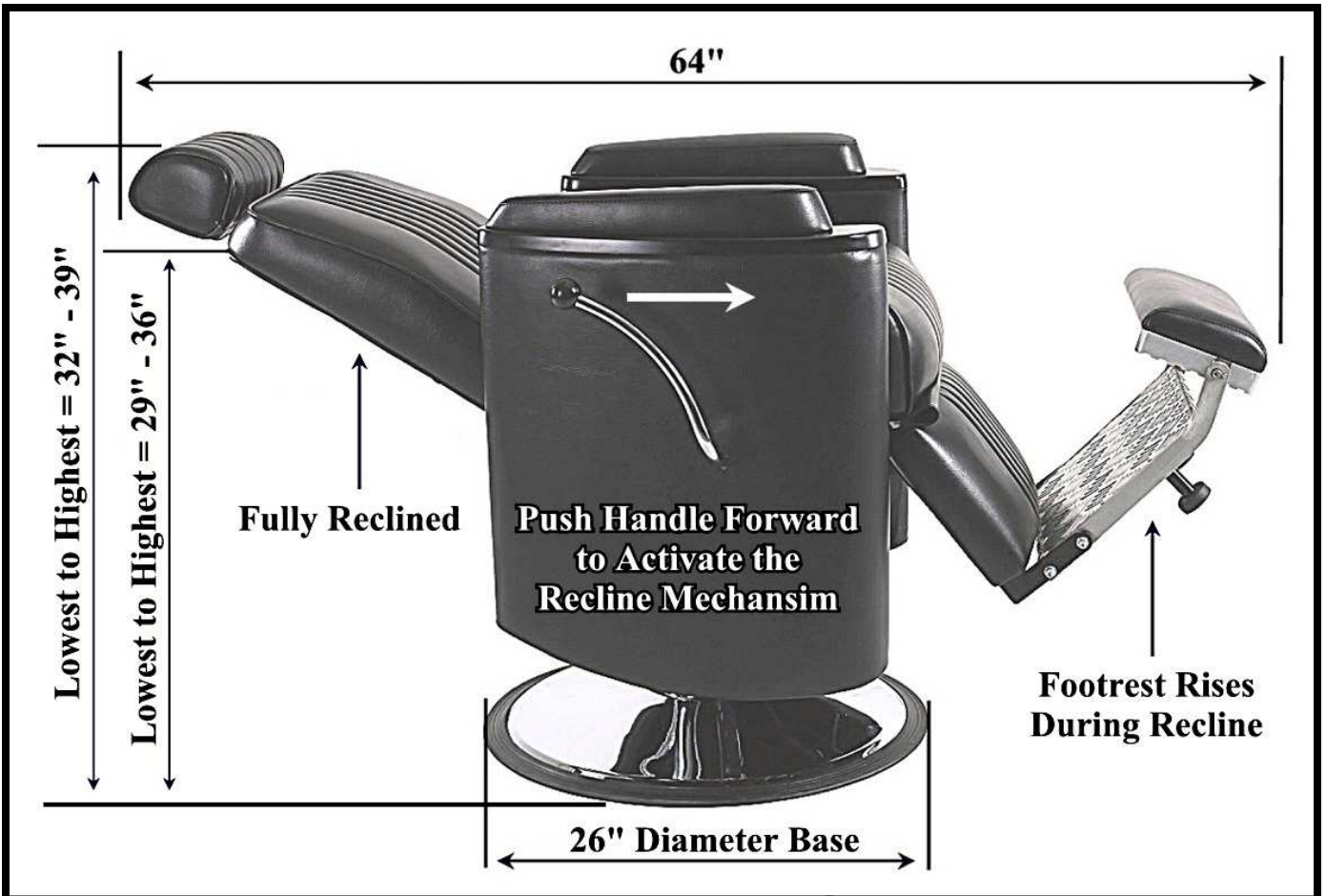
16" wide by 12" deep

Anklerest

15" wide by 8" high



- Keller International provides a large selection of salon chair parts, barber chair parts, and salon and barber chair pumps and bases.
- See more details on these bases at www.kellerinternational.com – on the parts page.



- The Barrel Barber Chair is completely upholstered with a black PVC vinyl and delicate fine line stitching detailed from the headrest to calf rest.
- The headrest is adjustable with an easy release button and can be fully removed for shampooing services.
- A unique polished aluminum footrest is attached with an additional flip ankle rest for a comfortable full reclining shave.
- Special order colors are available upon request.









