



**KELLER** INTERNATIONAL, LLC

1431 LAKE RD, HAMLIN NY 14464

Info@kellerinternational.com

T: 1-800-578-8772 • F: 1-585-964-8093

**KELLER4SALON.COM**

## **K1206 Aristo Reclining Salon Chair**

STANDARD HG1 BASE



**Factory Safe Weight  
Specification:  
350 to 400 pounds.**

## DELUXE 23" HIGHLAND BASE



- **Factory Safe Weight Specification: 350 to 400 pounds.**
- **American Made – 5 year warranty.**
- **Travel Range of 7" (15.25" to 22.25").**
- **23" diameter plate.**
- **Choosing this base is an upgrade from the Standard HG1 Base.**

## DELUXE 27" HIGHLAND BASE



- **Factory Safe Weight Specification: 350 to 400 pounds.**
- **American Made – 5 year warranty.**
- **Travel Range of 7" (15.25" to 22.25").**
- **27" diameter barber chair plate.**
- **Choosing this base is an upgrade from the Standard HG1 Base.**



**Dimensions:**

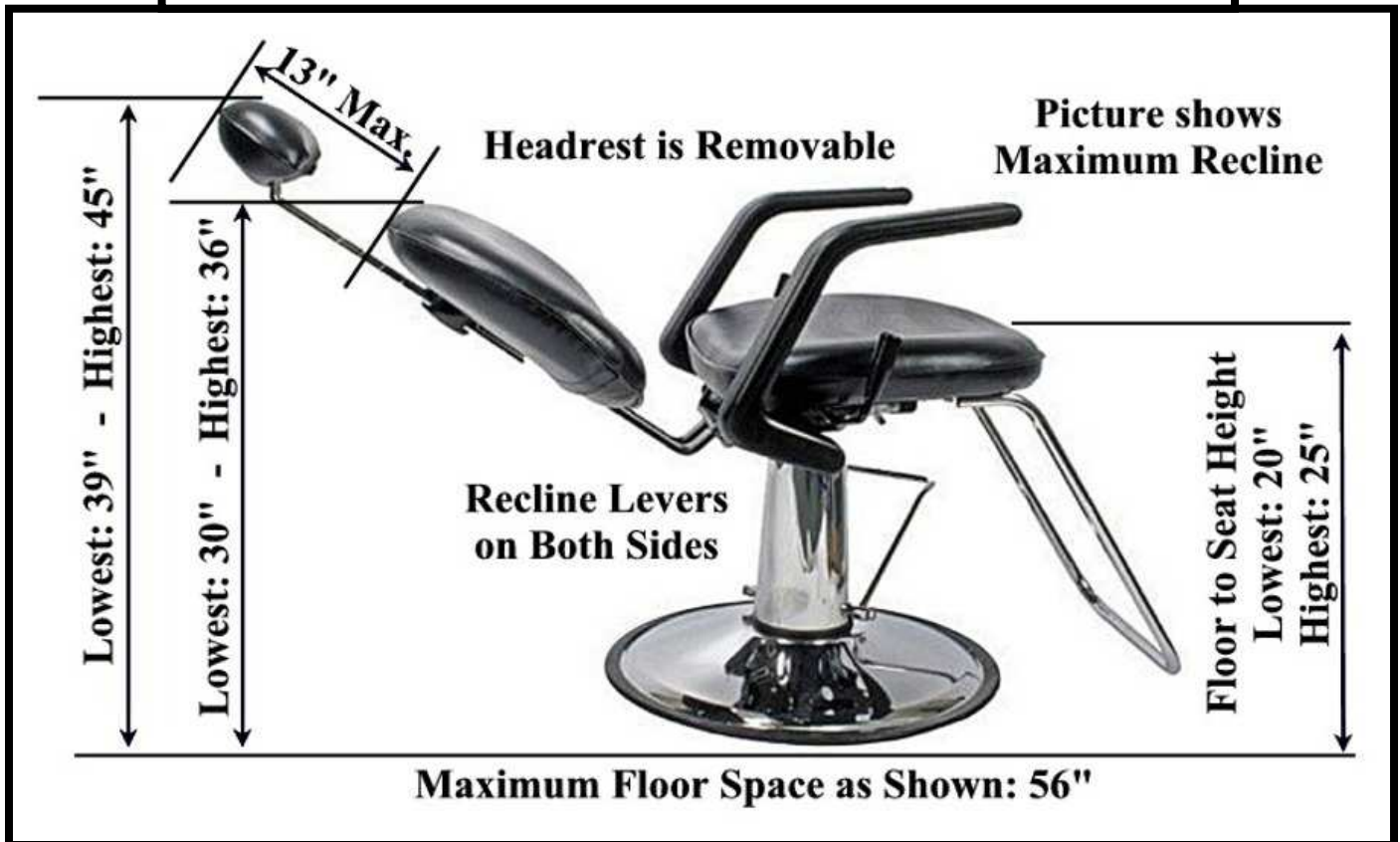
**Seat Cushion:**  
21" wide x 18" deep x 3" thick

**Back Cushion:**  
23" wide x 17" high

**Armrests:**  
Inside to Inside: 19"  
Outside to Outside: 24"

**Floor to Seat Height:**  
Lowest: 20"  
Highest: 26"

**Footrest:**  
16" wide at top  
15" wide at bottom  
18" tall

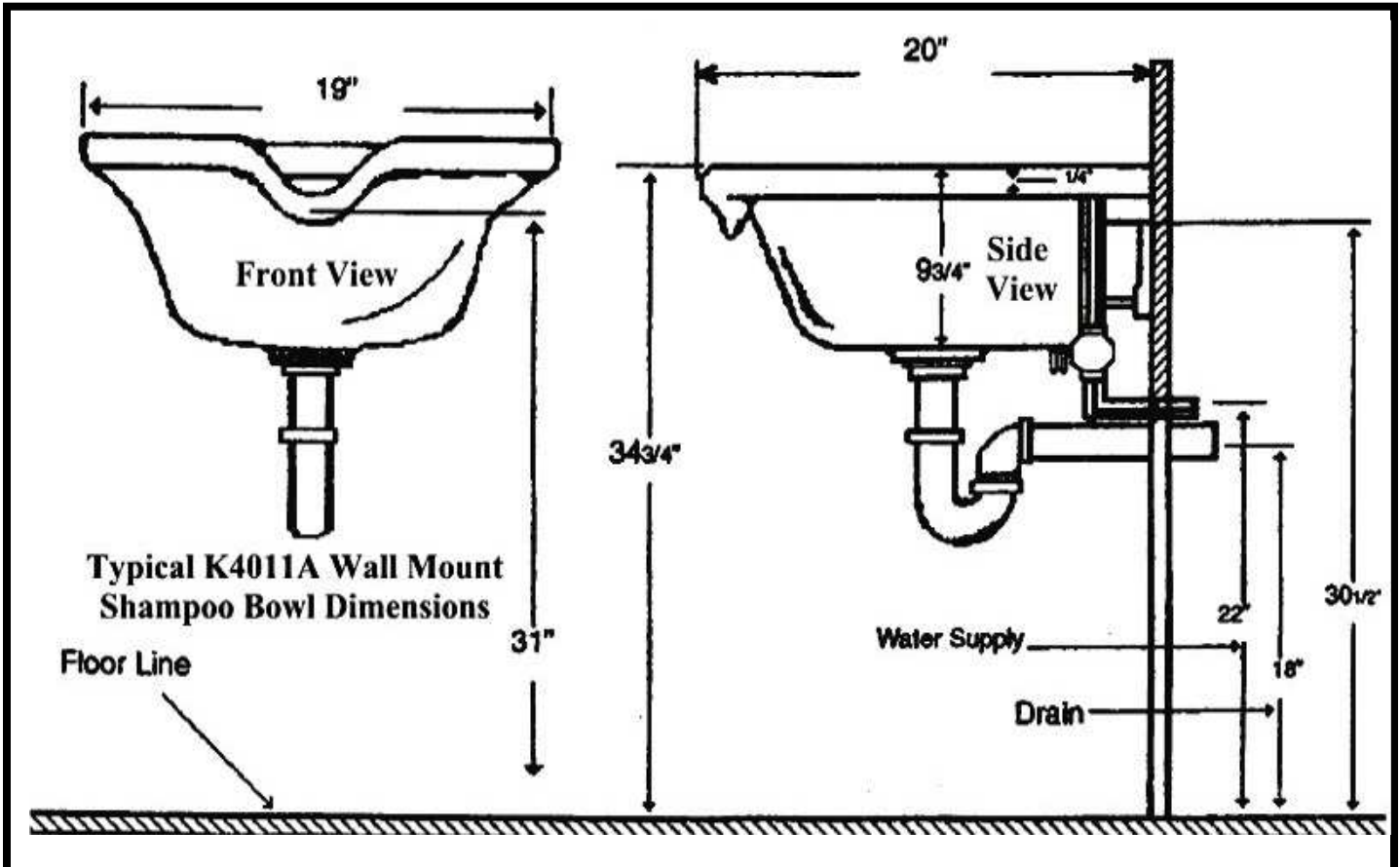


**Headrest is  
Removable**





- **Sturdy HG1 hydraulic pump and base (standard).**
  - **2-year warranty on the Hydraulic Pump.**
  - **1-year warranty on the Gas Reclining Lever Shock.**
- **Thick cushions wrapped in easy cleaning PVC vinyl.**
- **Reclining handles on both sides of the chair for ease of operation.**
- **U-Shaped footrest.**
- **Headrest is removable.**
- **Ships in one box – FedEx Ground.**
- **Total Weight = 90 pounds.**
  - **Remove Chair, Base, Headrest and Footrest from shipping box.**
    - **Attach the Footrest.**
    - **Place the Chair onto the Hydraulic Base Pump Shaft.**
    - **Insert Headrest into the Headrest Holder.**
    - **Ready to use.**



**Full Recline - Headrest Removed**



**This chair as pictured will work with a Keller wall mounted shampoo bowl.**