



KELLER INTERNATIONAL, LLC
1431 LAKE RD, HAMLIN NY 14464
Info@kellerinternational.com
T: 1-800-578-8772 ▪ F: 1-585-964-8093
KELLER4SALON.COM

K1023 All Purpose Chair

K1023 All Purpose Chair
Standard HG1 Pump
23-inch Circle Plate

**Footrest Attached
as Shown has been
Replaced with:**

**New A-104
U-Shaped
Snap-On
Rubber
Footrest**



**HG1 Pump
Factory
Safe Weight
Specification:
350 - 400 #'s**



K1023 All Purpose Chairs now come with the New A-104 Snap-On Rubber Footrests.



Dimensions:

Seat Cushion
 21.5" wide by 19.0" deep
 by 3.0" thick

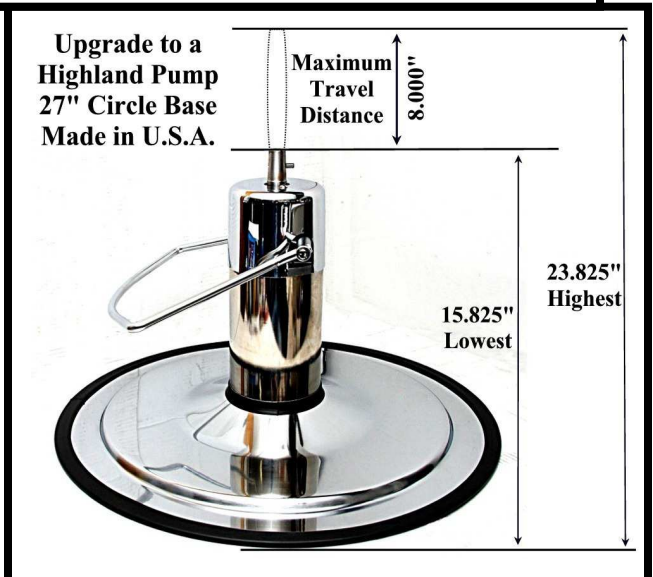
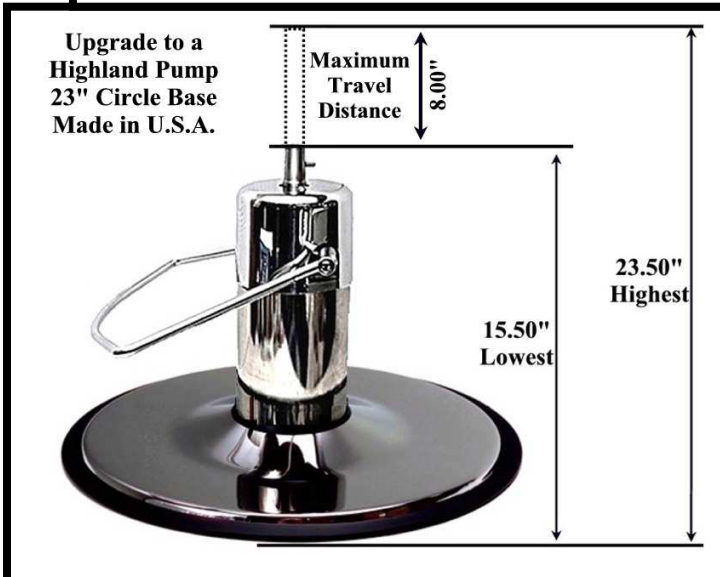
Back Cushion
 21.5" wide by 17" high

Headrest Extends 6.0"
Can Also Be Removed

Armrests
 Outside to Outside = 25.5"
 Inside to Inside = 21.5"

Floor to Seat Height
 Lowest = 19.5"
 Highest = 25.5"

Recline Levers
 Both Sides of Chair



See more details on these bases at www.kellerinternational.com – on the parts page.



Back View

**Removable
Headrest**



**Maximum Recline
Angle = 50°**



30"



Upholstered with Stain Resistant PVC / Vinyl – Seat, Back, Headrest.



Maximum Recline Angle = 50°

