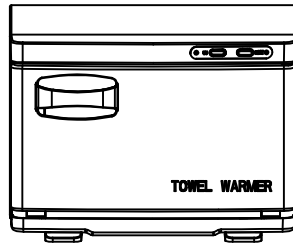
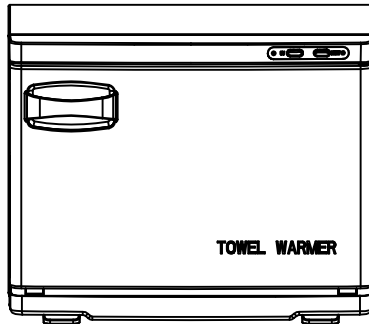


Professional UV Towel Warmers



JY-502M



JY-502

Attention

Only professional, state-licensed estheticians are allowed to operate this equipment. Any violations will void the warranty and operator shall be responsible for any damages to the machine and/or clients.

About this Manual

Before installing and using this unit, please read this manual carefully. Be sure to keep it available for later reference.

IMPORTANT SAFEGUARDS

READ ALL INSTRUCTIONS BEFORE USING

Caution and proper procedures must be practiced at all times when using electrical appliances. When using electrical appliances, basic safety precautions should always be followed, including the following:

- Do not use appliance for other than intended use.
- Do not touch hot surfaces. Use handles or knobs.
- To protect against electrical shock, do not immerse cord, plugs, or appliance in water or other liquid.
- Unplug from outlet when not in use and before cleaning. Allow to cool before putting on or taking off parts.
- Do not operate any appliance with a damaged cord or plug or after the appliance malfunctions or has been damaged in any manner. No user serviceable parts inside. Return appliance to the nearest authorized service facility or call our toll-free customer service number 1-888-731-6688 for information on examination, repair, or adjustment.
- The use of accessories and/or attachments not recommended or sold by the appliance manufacturer may cause injuries.
- Do not use outdoors. This appliance is intended for indoor use only.
- Do not let cord hang over edge of table or counter, or touch hot surfaces.
- Close supervision is necessary when any appliance is used by or near children.
- Do not leave the appliance unattended when switched on.
- Extreme caution must be used when moving an appliance containing hot liquids.

WARNING

TO PREVENT ELECTRICAL SHOCK, UNPLUG BEFORE CLEANING.

- **If the supply cord is damaged, it must be replaced by manufacturer, its service agent or similarly qualified persons in order to avoid a hazard.**
- The appliance is not intended to be operated by means of an external timer or separate remote-control system.
- The temperature of accessible surfaces may be high when the appliance is operating.
- If using an extension cord, the marked electrical rating of the extension cord should be at least as great as the electrical rating of the appliance.

CAUTION

TO AVOID ELECTRICAL SHOCK, DO NOT IMMERSE IN WATER.

CAUTION

TO REDUCE THE RISK OF ELECTRICAL SHOCK, DO NOT OPEN COVERS. NO USER SERVICEABLE PARTS INSIDE. REFER SERVICING TO QUALIFIED SERVICE PERSONNEL.

UNPACKING

BE SURE TO REMOVE ALL PACKING MATERIAL BEFORE USE.

OPERATING INSTRUCTIONS

- Place the unit on a well ventilated flat, sturdy surface away from heat sources. This product should not be used in the immediate vicinity of water, such as bath tub, washbowls, swimming pool etc. where the likelihood of immersion many occur.
- Plug cord into a ,rating 110V AC power outlet.
- Remove the wire basket and set aside.

PREPARATION

1. Run towels briefly under water.
2. Wring out excess water from the towels. Towels should be damp, not soaked. You may need to wring out several times.
3. Fold or roll towel and place towels in the wire basket. Do not overload the wire basket or directly place towels into the towel warmer.
4. Insert the basket and towels into the towel warmer.
5. Close the door firmly.
6. Turn on the HEAT switch. The HEAT indication lamp will remain illuminated while the switch is in the "ON" position.
7. Turn on the UV switch, the UV indication lamp will remain illuminated while the switch is in the "ON" position.



CLEANING & MAINTENANCE

Maintenance should be performed after each day's use.

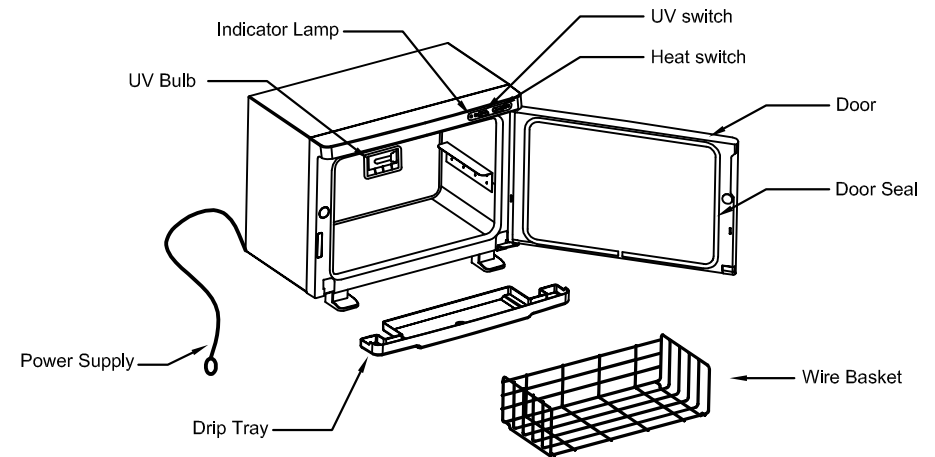
1. Turn OFF the unit by using the power switch.
2. Unplug the cord from the power outlet.
3. Wait for contents to cool before handling. Contents may be hot. Remove the wire basket and towels. Set the wire basket aside to dry.
4. With a soft cloth, wipe down the internal surfaces. Do not use harsh chemicals or abrasives. To clean the exterior, use a soft cloth and mild soap.
5. Pull the drip tray forward and empty contents. Set the drip tray aside to dry.

REPLACING THE UV BULB

1. Turn off the unit by using the power switch
2. Unplug the cord from the power outlet
3. Screw off the faulted UV bulb,
4. Screw on a new E17/3W UV bulb, recommended wave length 240nm(UVC).

TROUBLESHOOTING

- ✓ There is excessive moisture when the towel warmer in ON.
- ✓ The towels are heating up very slowly.
 - Check to see that the towels are only slightly damp. Excess moisture and/or slow heating time may be a result of soaked towels.
- ✓ The door is not closing properly and/or steam is escaping.
 - Check that the silicone door seal is in place. Push into door groove to assure proper fit.



TOWEL WARMER

	JY-502M	JY-502
Power Rating	Single phase, 110V, 60Hz	
Consumption	200W	200W
Temperature	158°F-176°F	158°F-176°F
Safety Device	Thermal Fuse	Thermal Fuse
Insulation	Glass Wool	Glass Wool
Internal Dims.	10½"Wx7½"Dx5½"H	14½"Wx7½"Dx9½"H
External Dims.	13¾"Wx10½"Dx10"H	17¾"Wx10½"Dx14"H
Capacity	24 Towels	72 Towels

UV BULB

Bulb Type	E17 (17mm diameter)
Power	3W
Radiation Type	UV-C, wave length 240nm

CAUTION

INTERNAL SURFACES, WIRE BASKETS, TOWELS AND STEAM MAY BE HOT. USE EXTREME CAUTION WHEN REMOVING HOT TOWELS OR BASKETS. ALWAYS USE PROTECTIVE HEAT RESISTANT GLOVES OR MITTS TO AVOID STEAM OR OTHER BURNS. FAILURE TO HEED WARNINGS MAY RESULT IN HARM OR SERIOUS INJURY.