

POWER KING SALON PROFESSIONAL IONIC BONNET HAIR DRYER



Operating Instructions / Safety Guide

IMPORTANT SAFETY INSTRUCTIONS

When using electrical appliances, especially when children are present, basic safety precautions should always be followed, including the following:

- READ ALL INSTRUCTIONS BEFORE USING.
- KEEP AWAY FROM WATER.

DANGER : As with most electrical appliances, electric parts are electrically live even when the switch is off.

To reduce the risk of death by electrical shock:

- Always "unplug it" immediately after using.
- Do not use while bathing.
- Do not place or store appliance where it can fall or be pulled into a tub or sink.
- Do not place in or drop into water or other liquid.
- If an appliance falls into water, "unplug it" immediately. Do not reach into the water.

WARNING:

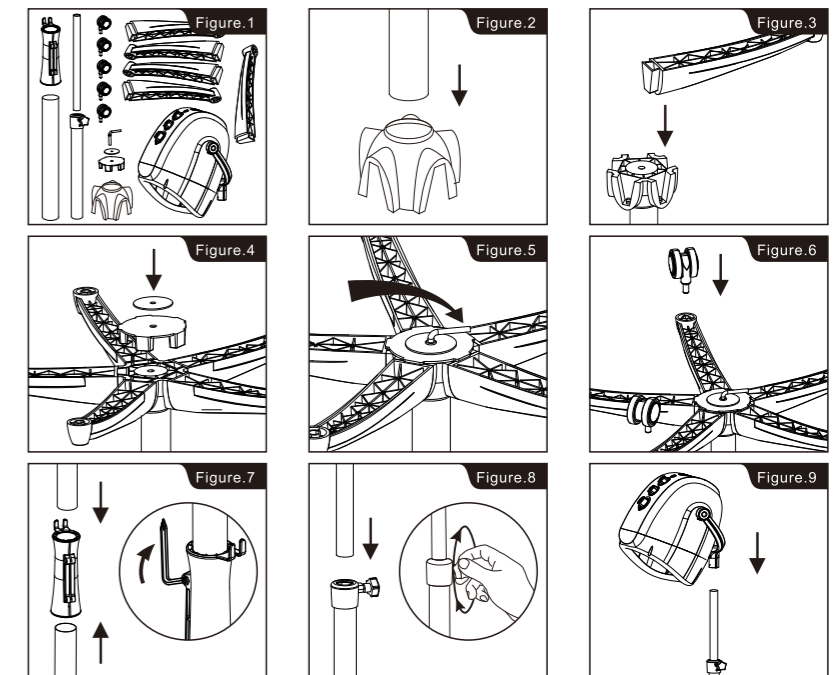
To reduce the risk of burns, electrocution, fire, or injury to persons:

- An appliance should never be left unattended when plugged in.
- Close supervision is necessary when this appliance is used by, on, or near children or individuals with certain disabilities.
- Use this appliance only for its intended use as described in this manual. Do not use attachments not recommended by the manufacturer.
- Never operate this appliance if it has a damaged cord or plug, if it is not working properly, if it has been dropped or damaged in any manner or dropped into water. Return the appliance to us for repair or replacement.
- Keep the cord away from hot or heated surfaces. Do not wrap the cord around the appliance.
- Never block the air openings of the appliance or place it on a soft surface, such as a bed or couch, where the air openings may be blocked. Keep the air openings free of lint, hair, and the like.
- Never use while sleeping.
- Never drop or insert any object into any opening or hose.
- Do not use outdoors or operate where aerosol (spray) products are being used or where oxygen is being administered.
- Do not use an extension cord with this appliance.
- Do not direct hot air toward eyes or other heat-sensitive areas.
- Attachments will be hot during use. Allow them to cool before handling.
- Do not place appliance on any surface while it is operating or while switch is turned on.
- While using the appliance, keep your hair out of it. Keep your hair away from the air inlets.
- Do not operate with a voltage converter.
- Do not release lock knob without machine head on post.

SAVE THESE INSTRUCTIONS

INSTALLATION

1. Remove all components from the box as per (Figure.1)
 2. Connect the Lower Pole to the Center Hub. Place the Center Hub on the floor or flat surface and push down firmly until it reaches the bottom of the Hub.(Figure.2)
 3. Turn the Center Hub with Lower Pole over and begin connecting each of the 5 legs to the Hub making sure they are pushed in as far as possible. (Figure.3)
 4. Place the Plastic clamp and metal plate over the recessed middle area of the Center Hub and tighten into place using the "L" shaped bolt manually, so the Legs, Center Hub and Lower Pole are all secured together. (Figure.4 and Figure.5)
 5. Insert the wheels into the base. (Figure.6)
 6. Connect the lower pole and upper pole with the connection tube, push firmly until the poles reaches the middle of the connection tube, then fasten both screws on the connection tube with the L-shape tool, so that the upper pole, lower pole and the connection tube are all secured together. (Figure.7)
 7. Insert the Telescoping Tube into the Upper Pole and adjust the knob(Figure.8)
 8. Place the wheel base on the floor with telescoping tube in the upright position.
 9. Place the Bonnet hood on top of the Telescoping Tube by inserting the top of the tube into the attachment opening underneath the hood support(Figure.9)
- The unit is now assembled.



HOW TO USE YOUR ROLL ABOUT DRYER:

1. Find a comfortable location for using the dryer. For your convenience, the base has wheels with to move around and set in place.
2. Connect to power and the power indicator will light up in RED
3. Turn the timer knob to set desired working time(from 10 to 60 minutes) and the winds will start to blow.
4. Turn the Temperature Adjustment Knob to set desired temperature.
(L=Low, about 104 , M=Midium, about 140 , H=High, about 158)
5. Turn the Speed Adjustment Knob to set desired speed of wind.
(L-Low, 800rpm. H=High, 1200rpm.)
6. Press the ION Button to Position I, the ION generator starts to work and the ION button will light up in BLUE. (I= ION ON, 0=ION OFF)
7. Adjust the height to desired position by loosing and fastening the Height Adjustment Knob
8. The hood spins freely on the support. Adjust angle of the hood until user feels comfortable in it.
9. The connection tube can be used as a cord organizer.
10. To turn off the unit, turn the timer knob anti-clock wise to OFF position.

USER MAINTENANCE INSTRUCTIONS

MAINTENANCE

This appliance requires no special user maintenance or lubrication. Should your dryer require cleaning, unplug it first then simply wipe the outer housing with a damp cloth.

Each time you use the appliance untwist the cord to avoid tangling and internal damage.

STORAGE

Store in a clean, dry place, out of reach of children. Never store it while still hot or plugged into an outlet.

Never wrap the cord tightly around the unit. Do not pull the appliance by the power cord and avoid jerking or straining especially at the point where it enters the unit and at the plug connection.

