

Evander Electric Barber Chair



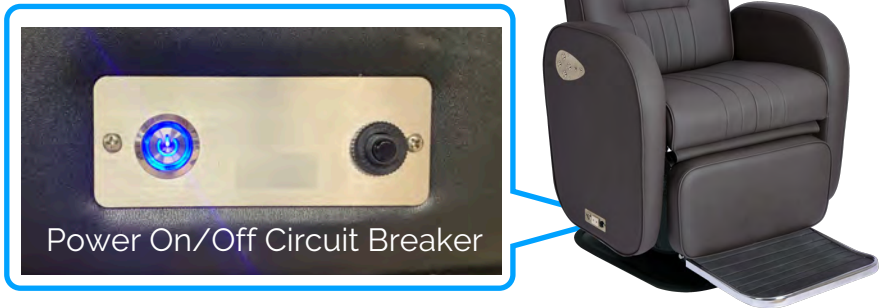
Preface

Thank you for purchasing our Evander Electric Barber Chair. In order to have the best performance and safety, please read this manual carefully before use and keep it for future reference!

Safety Precautions

1. This equipment uses 3-prong power cord. Please use 3-hole socket and connect to the ground wire when assembling.
2. This equipment is strictly prohibited from water and shampoo to avoid unsafe accidents.
3. Non-professionals are not allowed to open the parts.
4. Please be sure to turn off the main power supply after using.
5. Before using this product, please check with local voltage. If the voltage is too low or too high, please install an automatic stabilized power supply
6. When plugging in or unplugging the AC power supply, grasp the power plug part and do not pull the power cord.
7. The motor has thermal protection function. Therefore, when the motor temperature exceeds its protection value after continuous operation for a long time, the equipment will stop working, as long as the temperature drops, it can work normally.

8. Before connecting the power, frequent pressing on the over-current protection reset button is forbidden. If the power LED is not on, please check other possible causes firstly and then press the over-current protection reset button. If you still cannot get power, please contact your dealer or our service phone.



Maintenance

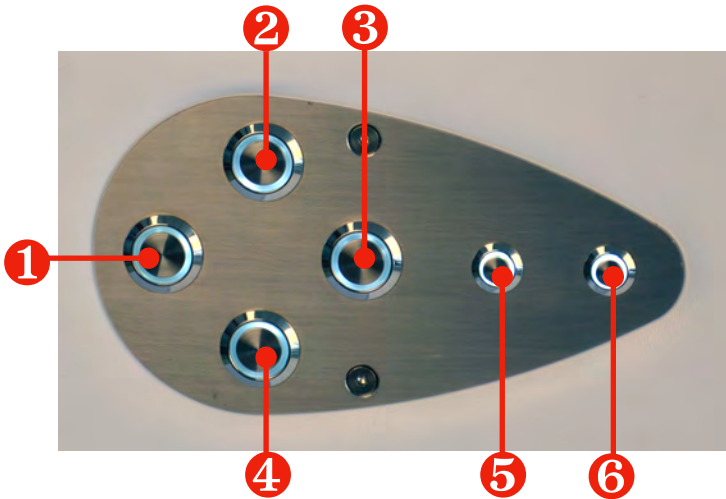
1. Regular careful maintenance by the operator and do not use excessive force during the operation°
2. Since the equipment is made of high-quality PVC, when cleaning and maintenance, please wipe it with a clean soft cloth or with a cleaning wax°
3. Keep the product clean and dry°
4. Avoid hard objects touching PVC and decorative parts.

Parts List



- | | |
|-------------|-----------------------|
| 1. Headrest | 5. Foreleg |
| 2. Backrest | 6. Footrest |
| 3. Armrest | 7. Controlling Panel |
| 4. Seatrest | 8. Power Switch Panel |

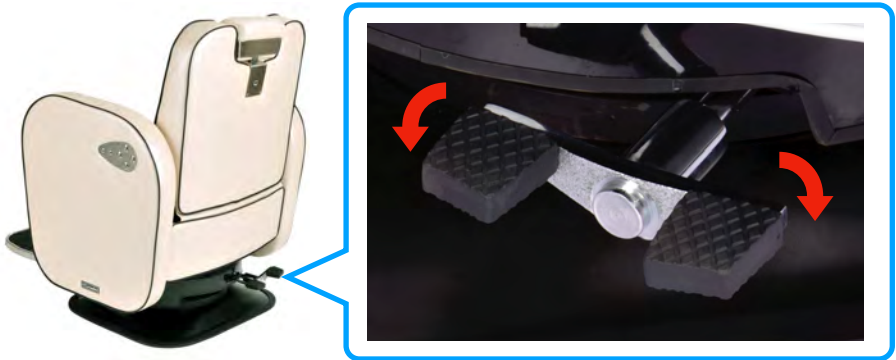
Controlling Panel Details



1. Backrest Down : Keep pushing to make backrest down and foreleg up
2. Chair Up : Keep pushing to make chair up
3. Backrest Return : Keep pushing to make backrest and foreleg return
4. Chair Down : Keep pushing to make chair down
5. Automatic Button : Push the button to make chair up, backrest down, and foreleg up at the same time
6. Return Button : Push the button to return to the original position

Rotation Lock

Rotation Lock is located under the back of the chair. Step the right one, the chair will be locked and cannot be rotated, step the left one, it will be released and can be rotated.



Transportation

Based on safety considerations and ensuring the normal function of the electric chair transmission system, during the transportation and loading, do not over-tilt the equipment (keep it less than 30 degrees) or put it upside down. Keep it away from rain and strong sunshine during the transportation.

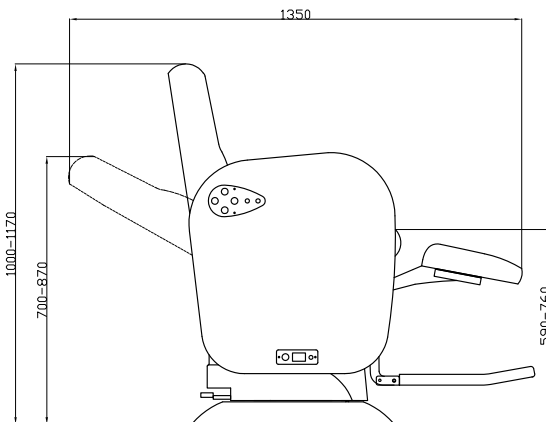
Technical Parameters

Input : 110V AC

Net Weight : 96KG

Dimensions : 1070mm×760mm×1000mm~1170mm

Package Dimensions : 810mm×780mm×1150mm



SH-89002

