



Engineered to be the fastest

QUICK START USER GUIDE



**C-00250 SERIES
1/10TH SCALE ELECTRIC
READY TO RUN**

www.corally.com

INTRODUCTION

Thank you for purchasing a Team Corally car. This manual describes the instructions for using the model and the electronic components. You will also find some tips on how to maintain your RC model so that you can enjoy it for years to come. You have purchased one of the most efficient models available on the market that has been designed by a team of professionals. You will also benefit from the best after-sales support. All Team Corally models guarantee a high quality of manufacture and performance that guarantees you a high satisfaction of use and services provided by the Team Corally. Always take the time to read the instructions carefully in order to follow all the procedures to use your RC model safely for you and for other people and property in the area. This will allow you to take full advantage of all the performance of your RC model.

Please also check the website www.corally.com/Downloads/ to check if you have the latest version of this instruction manual. (Version: see bottom cover of this manual)

If you have any questions about the model and its components, you can send a message to info@corally.com

We also recommend that you get help from an experienced model maker or your dealer.

You will find all the references of the spare parts on the website www.corally.com

TERM OF USE

The user is responsible for the use of your model. The user assumes all risks associated with the use of the model. This model is not intended for use by children under 14 years of age without the supervision of a responsible adult who is familiar with the dangers of using a RC model. Team Corally / JSP Group Intl bvba, its manufacturers, distributors and resellers cannot control the use and load of the model and therefore cannot be held responsible for any damage to property and damage caused to persons resulting from the use of this product. You must accept these conditions and consider yourself fully responsible for the use of this product. If not, do not use this product.

Due to the continuous development of our products, the exact specifications of the kit may vary. If you have a problem with your new kit, please contact the store where you purchased it, indicating the part number(s).

Team Corally / JSP Group Intl bvba reserves the right to change any specification without notice. All rights reserved.

READ FIRST

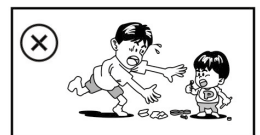
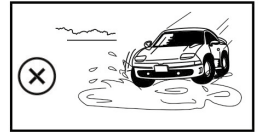
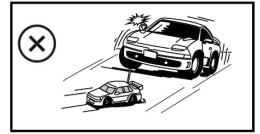
This owner's manual is designed for use with your vehicle and contains the instructions you will need to operate and maintain your vehicle.

- We know you want to start driving immediately after unpacking, but it is very important that you take the time to read this manual carefully, even if you are an experienced R/C driver.
- Read carefully and follow all instructions in this manual. Failure to comply with the instructions will be considered as abuse and/or negligence which may result in the cancellation of the warranty.
- Your vehicle is designed to operate on uneven terrain. However, dust, sand, water and carpet fibres can get into your car's workspaces and can damage your vehicle if they are not removed quickly. We do not guarantee any warranty on your vehicle against damage caused by external elements such as sand, dirt or water. Users are responsible for the maintenance and safe operation of this vehicle.
- This product is not a toy. It is not suitable for users under 14 years of age, unless they are supervised by adults.
- Never attempt to disassemble electronic components. These have been carefully calibrated at the factory.
- Only improve your car with parts made for your car. If you upgrade performance, replace the entire system (such as the motor, inverter, battery, etc.) so that all components are properly adapted. Any malfunction resulting from a custom modification will void your warranty.
- Before driving your vehicle, please read this manual in its entirety and examine your vehicle and radio control system for any defects.
- For better performance, some adjustments may be necessary.
- This vehicle requires a battery (included in the car or in the packaging). Make sure the vehicle's battery is sufficiently charged before driving, otherwise you may lose control of the vehicle.
- The radio transmitter requires 4 AA batteries (not included)
- Always remove or disconnect the battery from the vehicle to the inverter when not in use.
- Please drive your car in a spacious place. Never drive your car on the street or in traffic. Public places are subject to specific legislation by country, city, municipality, please comply with the legislation for the use of RC models in your region.
- This product is fully assembled in the factory. We accept no liability for damage and/or accidents resulting from custom modifications and/or malfunctions.

USE PRECAUTIONS

Failure to operate your model in a safe and responsible manner may result in injury to yourself, others or damage to property around you.

- Do not use your model on public roads or in areas where you may encounter pedestrians or riders.
- Do not operate in a congested area or in crowds.
- Do not operate in areas where loud noises can disturb others, such as hospitals and residential areas.
- Do not operate your model with obstructed line of sight, at night or near water.
- Your model is radio controlled, it is subject to possible radio interference. Radio interference can cause loss of control of your model. Be careful.
- Take care not to injure yourself while using tools to adjust or upgrade your model.
- Since the model contains small parts, keep out of reach of children while assembling and/or disassembling your model.
- If your model becomes stuck against an object, release the throttle and retrieve it by hand
- Do not continue to apply the throttle when your model is stuck. This may damage the motor and/or ESC/Receiver unit.
- Turn OFF your model and don't use it if it runs erratically. Please do not use your model again until the problem has been solved.
- Keep the wheels of the model off the ground when checking the operation of the radio equipment.
- When learning to operate your model, go to an area that has no obstacles that can damage your model.
- Before and after each use, check all the screws on the model.
- To maintain the best performance, check that all moving parts move freely.



Take all necessary precautions before, during and after using your model. You are responsible for the safe assembly, maintenance and use of your model.

In case of any questions, contact your local reseller or contact Team Corally support for assistance.

SAFETY PRECAUTIONS

For your safety, always use wear gloves and goggles when assembling and maintaining your model.

Always take all necessary precautions when handling products (silicone oil, grease, thread lock, cyanolyte glue, fuel) for the operation of the model. (Refer to the manufacturer's instructions)

For your safety, to keep the warranty and obtain the best performance, always use original CORALLY genuine parts.

Contains: LEAD (CAS 7439-92-1) ANTIMONY (CAS 7440-36-0)

WARNING: This product contains a chemical known to the state of California to cause cancer and birth defects or other reproductive harm.

CAUTION: CANCER HAZARD

Contains lead, a listed carcinogen. Lead is harmful if ingested. Wash thoroughly after using.

DO NOT use product while eating, drinking or smoking.

Checks on the website if you have the latest version of the manual, see the version on the cover (-V1)

<https://corally.com/Downloads/>

If material defects or manufacturing faults should arise in a product distributed or manufactured by Team Corally / JSP Group Intl bvba, and purchased by a consumer, we Team Corally / JSP Group Intl bvba acknowledge the obligation to correct those faults or defects within the limitations described below. This manufacturer's warranty is in addition to, and does not affect, the legal or contractual rights of the consumer which arise from the purchase of such products. Team Corally / JSP Group Intl bvba guarantees the consumer that its products are free from material, manufacturing, and construction faults, as determined by the general state of knowledge and technology valid at the time of manufacturing. The fault responsible for causing the damage must be proven to have been present in the product at this time. Claims for compensation arising from consequential damage or product liability will not be considered valid unless they fall under peremptory provisions of the law. If material defects or manufacturing faults should arise in a product distributed or manufactured by Team Corally / JSP Group Intl bvba in the European community (EC) and purchased by a consumer, then Team Corally / JSP Group Intl bvba undertakes to correct those defects within the limitations described below. This manufacturer's declaration does not affect the consumer's legal or contractual rights regarding defects arising from the purchase contract between the consumer and the dealer or reseller. **Extend of the Warranty**

If a claim is made under warranty, we take at our discretion to repair or replace the defective goods. We will not consider supplementary claims, especially for reimbursement of costs relating to the defect (e.g. installation / removal costs) and compensation for consequent damages unless they are allowed by statute. This does not affect claims on legal regulations, especially according to the product liability law.

Provisions of the Warranty

The purchaser is required to make the warranty claim in writing, and must enclose original proof of purchase (e.g. invoice, receipt, delivery note) and the appropriate warranty card. He must send the defective goods to our local representatives or directly to Team Corally / JSP Group Intl bvba, Geelseweg 80, 2250 Olen, Belgium at his own risk and cost.

The purchaser should state the material defect or manufacturing fault, or symptoms of the fault, as accurate as possible, so that we can check if our warranty obligation is applicable. The goods are transported from the consumer to us, and from us to the consumer, entirely at the risk and cost of the consumer.

Invalidation of the Warranty

The consumer cannot make a claim under warranty when the fault is affecting the use of the product arising from natural wear, competition use, or improper use (including installation) or external forces. The consumer's adherence to the building and operating instructions relevant to the model, including the installation, operation, use of, and maintenance of, model-related components cannot be supervised by Team Corally / JSP Group Intl bvba. Therefore Team Corally / JSP Group Intl bvba is in no way liable for loss, damage, or costs resulting from improper use, or behaviour in any way connected to the above described provisions. Unless otherwise required by law, Team Corally / JSP Group Intl bvba is in no way whatever liable to provide compensation for damages arising from the improper use of the model (including personal injury, death, damage to buildings, loss of turnover, loss of business, or interruption of business, or any other direct, or indirectly caused, consequential damage).

Duration of Validity

The claim period is 24 months from the date of purchase of the product by the consumer from a dealer in the European Community (EC) counted from the date of purchase. The claim period is 12 months from the date of purchase of the product by the consumer from a dealer outside the European Community (EC) counted from the date of purchase. If a defect arises after the end of the claim period, or if evidence or documents required according to this declaration in order to make the claim valid are not presented until after this period, then the consumer forfeits any rights or claims from this declaration. The guarantee period is not prolonged by the granting of any claims within the framework of this warranty, especially in the case of repair or replacement. The guarantee period also does not restart in such cases.

Warranty Expiration

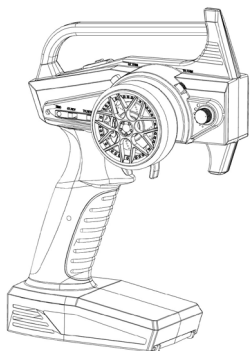
If we do not acknowledge the validity of a claim based on this declaration within the claim period, all claims based on this declaration will expire after six months from the time of registering the claim; however this cannot occur prior to the end of the claim period.

For any support, you can contact us by email at info@corally.com

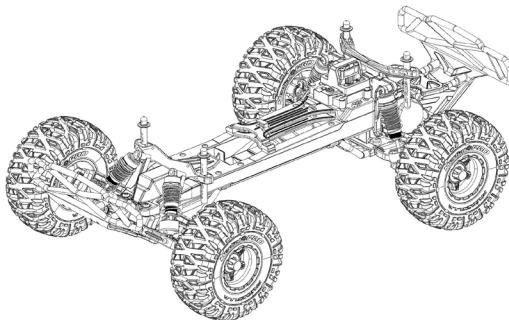
LIPO BATTERY SAFETY PRECAUTIONS

- Follow and respect the manufacturer's instructions for use
- It is important to check that your ESC is set to LIPO if you are using a LIPO battery. Failure to comply with this instruction will result in increased battery discharge and may cause fire and damage to persons and property.
- When charging or storing LiPo batteries always use LiPo Safety Bag (Flame retardant).
- Always respect the maximum rate and voltage specified by the battery manufacturer.
- Charge the LIPO battery outdoors or in a ventilated area away from flammable objects and surfaces.
- NEVER leave your LiPo battery unattended while charging.
- If the battery swells during charging, stop charging immediately and disconnect the battery from the charger. Leave the battery outside for a few hours and observe. Then recycle the battery according to the instructions of your country/region. Never dispose of a LIPO battery with domestic waste.
- Before recycling your defective battery, it must be neutralized. Take a plastic container, fill it with water and add a lot of salt until the water becomes opaque. Place the LIPO battery in the water and leave for 24 hours. Check with a voltmeter that the voltage is 0.0V. Then recycle the battery according to local regulations.
- Never charge a damaged or inflated battery.
- Never discharge the battery cells below 3.2V.
- Always use the appropriate balancer/charger when charging your LiPo battery pack.
- When the battery is empty, check the temperature of the battery before charging it. If the battery is very hot, wait until it cools before charging it.
- Never charge a very hot battery as this may cause an explosion or fire.
- When the battery is empty, recharge it immediately. Do not store an empty battery, the battery will continue to discharge, it will fall below the minimum voltage and become unusable.

KIT CONTENT (Depends on the selected model)



Transmitter

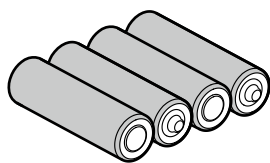


RTR Model (Chassis with Body)

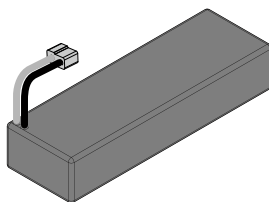


User Guide

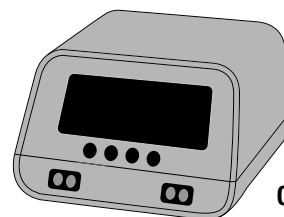
REQUIRED FOR OPERATION (Not included)



4x AA Batteries
for the Transmitter

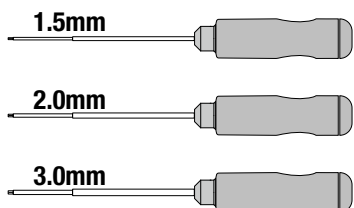


2S - 7.4V LiPo Battery
3S - 11.1V LiPo Battery

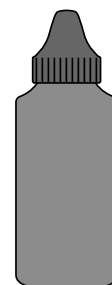
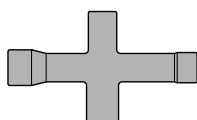


Charger

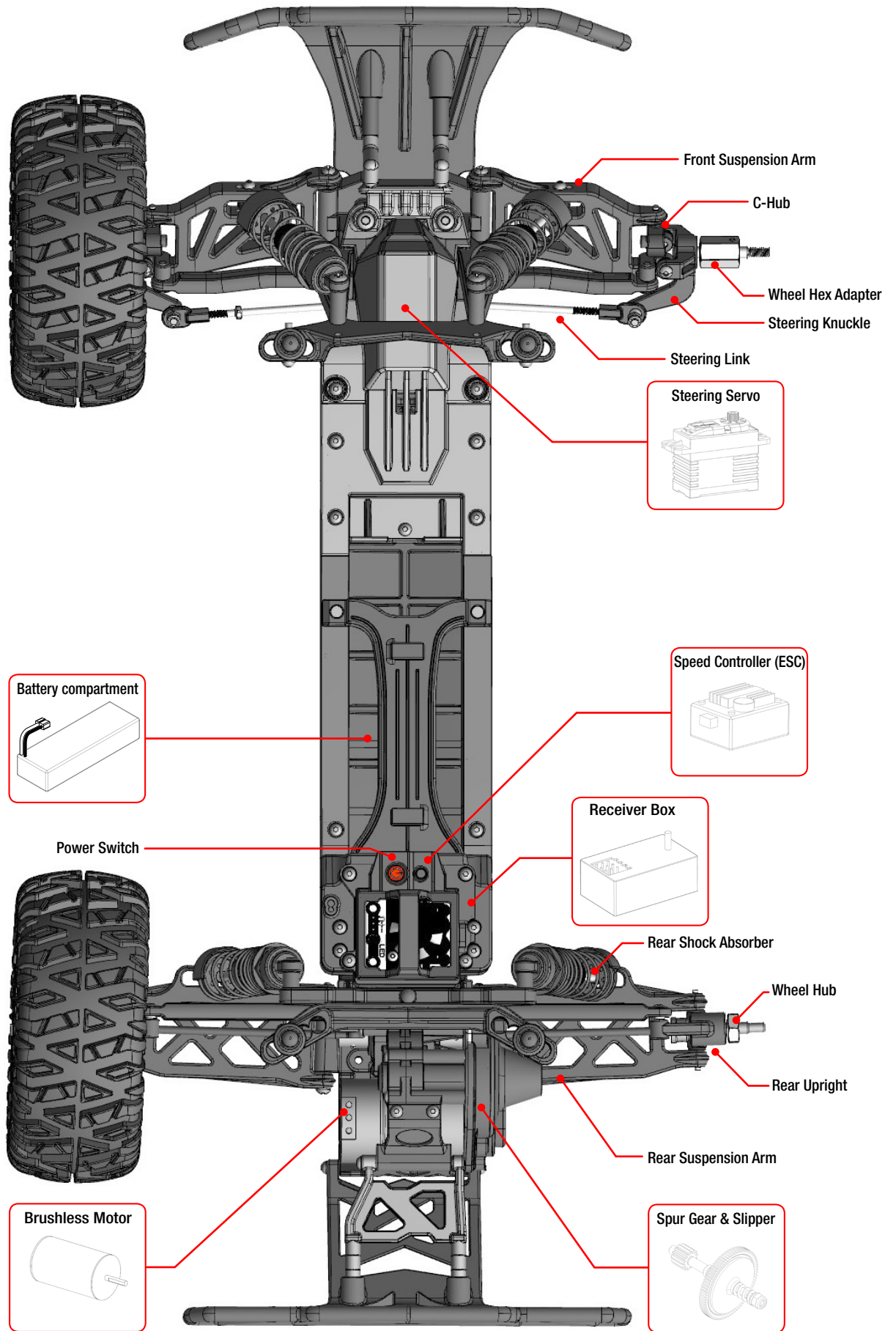
Hex Drivers



Cross Wrench



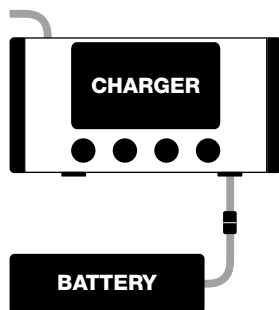
Silicone Oil
(for maintenance)



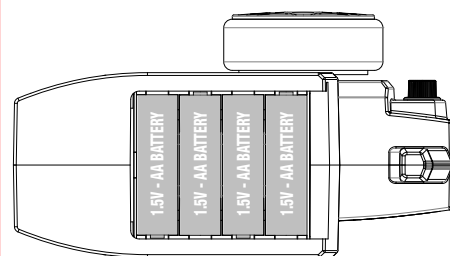
READ THE INSTRUCTIONS



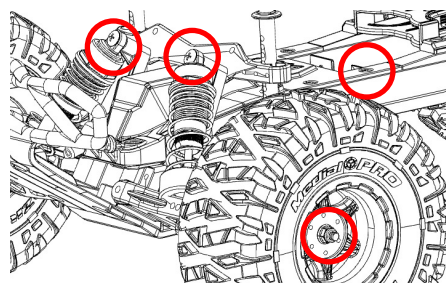
CHARGE THE BATTERY



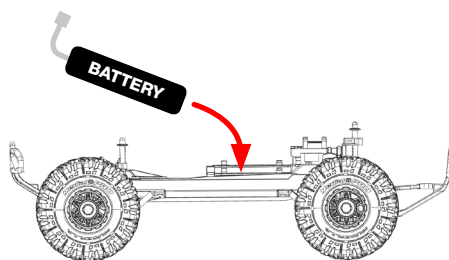
INSTALL 4x AA BATTERY



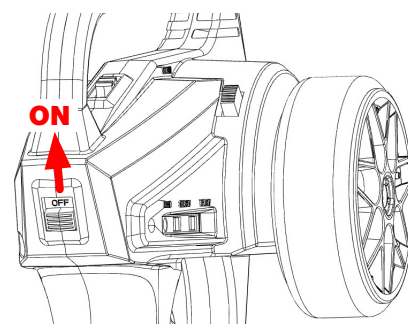
MAKE SURE THAT ALL SCREWS AND NUTS ARE TIGHTENED PROPERLY.



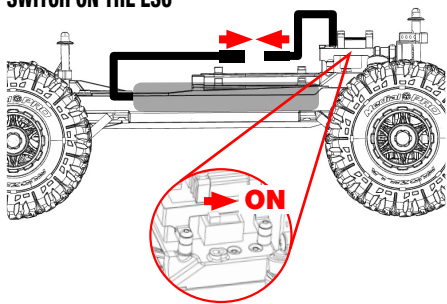
INSTALL THE BATTERY



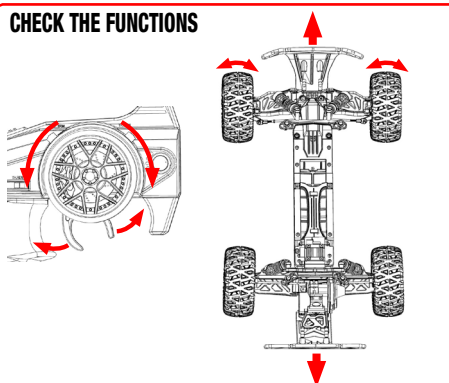
TURN ON THE TRANSMITTER (Always First)



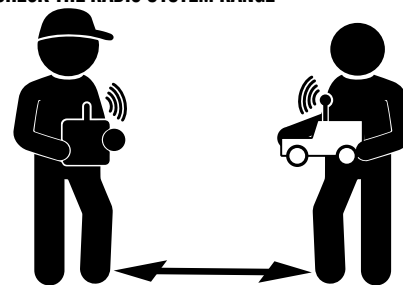
CONNECT THE BATTERY TO THE ESC SWITCH ON THE ESC



CHECK THE FUNCTIONS

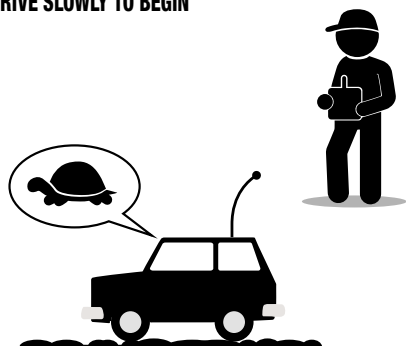


CHECK THE RADIO SYSTEM RANGE

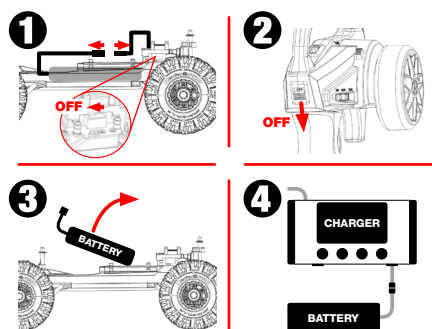


Move away from the max. distance you will drive the vehicle.
Check that the vehicle responds properly to the controls.
If not, reduce the distance or change the driving location.

DRIVE SLOWLY TO BEGIN



WHEN FINISHING

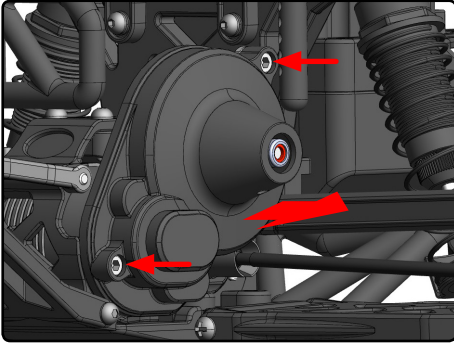


CLEAN AND MAINTAIN YOUR VEHICLE

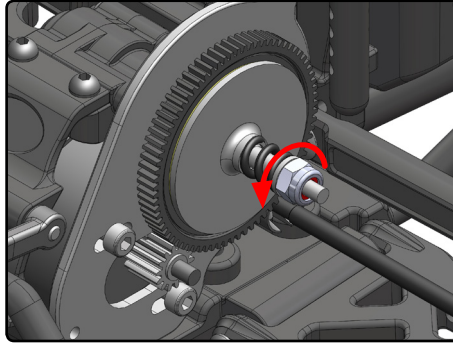


SLIPPER PAD REPLACEMENT

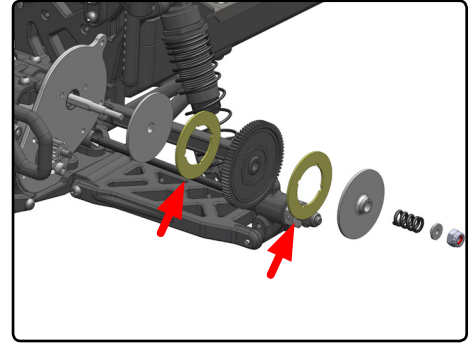
It may be necessary to replace the slipper pad every 25 runs. It depends on how you drive and the type of terrain you drive on. If after consecutive adjustments you have motor problems, it is necessary to change the PADS.



Remove the cover

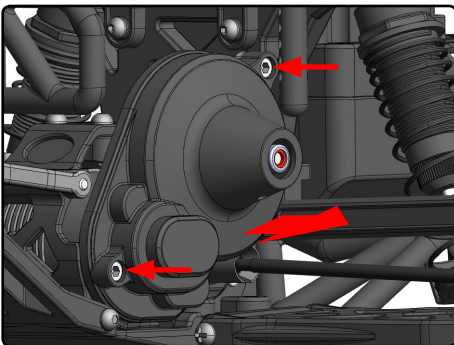


Loosen the Nylstop nut.

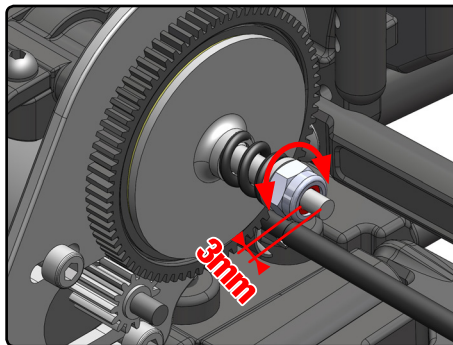


Replace the slipper pad #C-00250-088

SLIPPER CLUTCH ADJUSTMENT



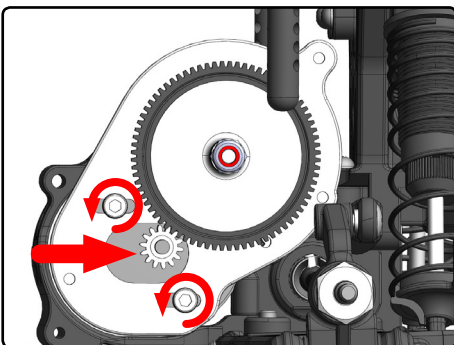
Remove the cover



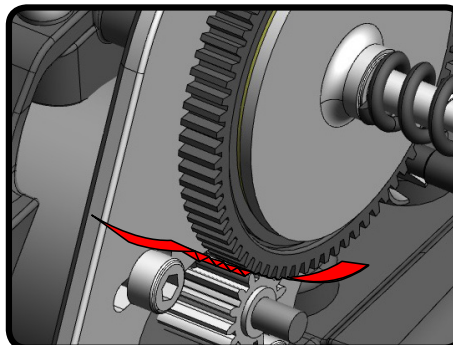
Tighten or loosen the nut to have 3mm of visible shaft.

SPUR AND PINION MESH ADJUSTMENT

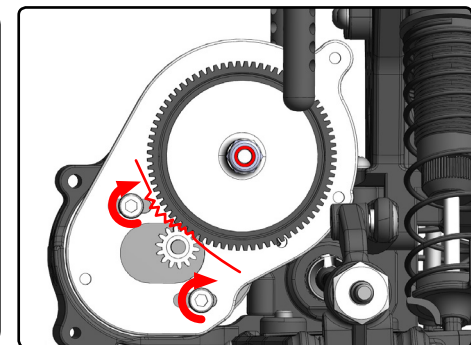
If the gear mesh is not correct, you wear out the spur gear prematurely, the transmission will make noise, give unnecessary load on the motor (higher consumption, heating of the transmission).



Loosen the motor screws.



Cut a 5mm wide strip of paper and run it between the pinion and the spur gear.

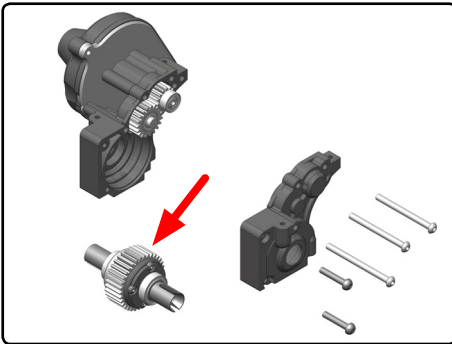


Re-tighten the motor screws and then remove the strip of paper.

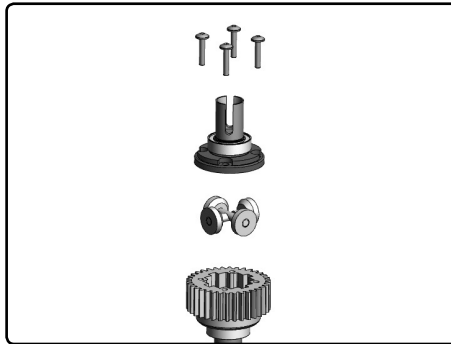
DIFFERENTIAL MAINTENANCE

It may be necessary to replace the silicone oil every 50 runs. It depends on how you drive and the type of terrain you drive on.

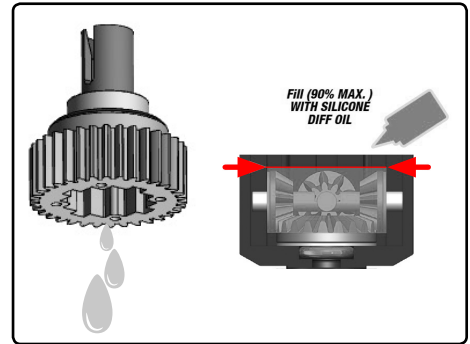
<https://corally.com/Chemicals/Silicone-Oils/>



Remove the gearbox from the chassis. Open the gearbox to extract the differential.



Open the differential.

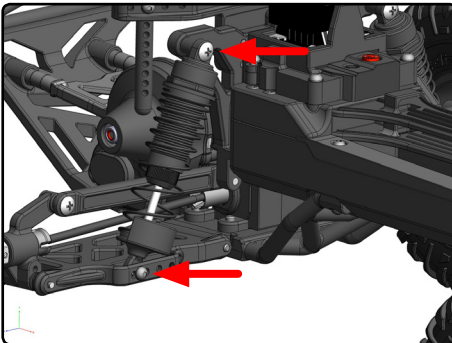


Remove the silicone oil. Refill with new silicone (5000cps) oil but not fully, (90% capacity max.)

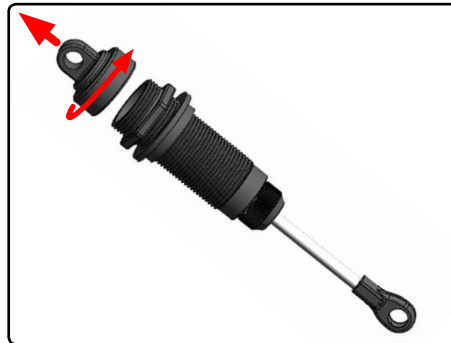
SHOCK ABSORBER MAINTENANCE

It may be necessary to replace the silicone oil in the shock absorbers every 40 runs. It depends on how you drive and the type of terrain you drive on.

<https://corally.com/Chemicals/Silicone-Oils/>



Remove the shock absorbers from the vehicle. (4x)



Remove the shock cap.

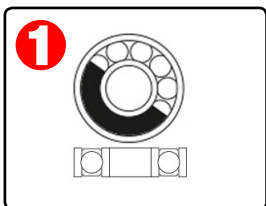
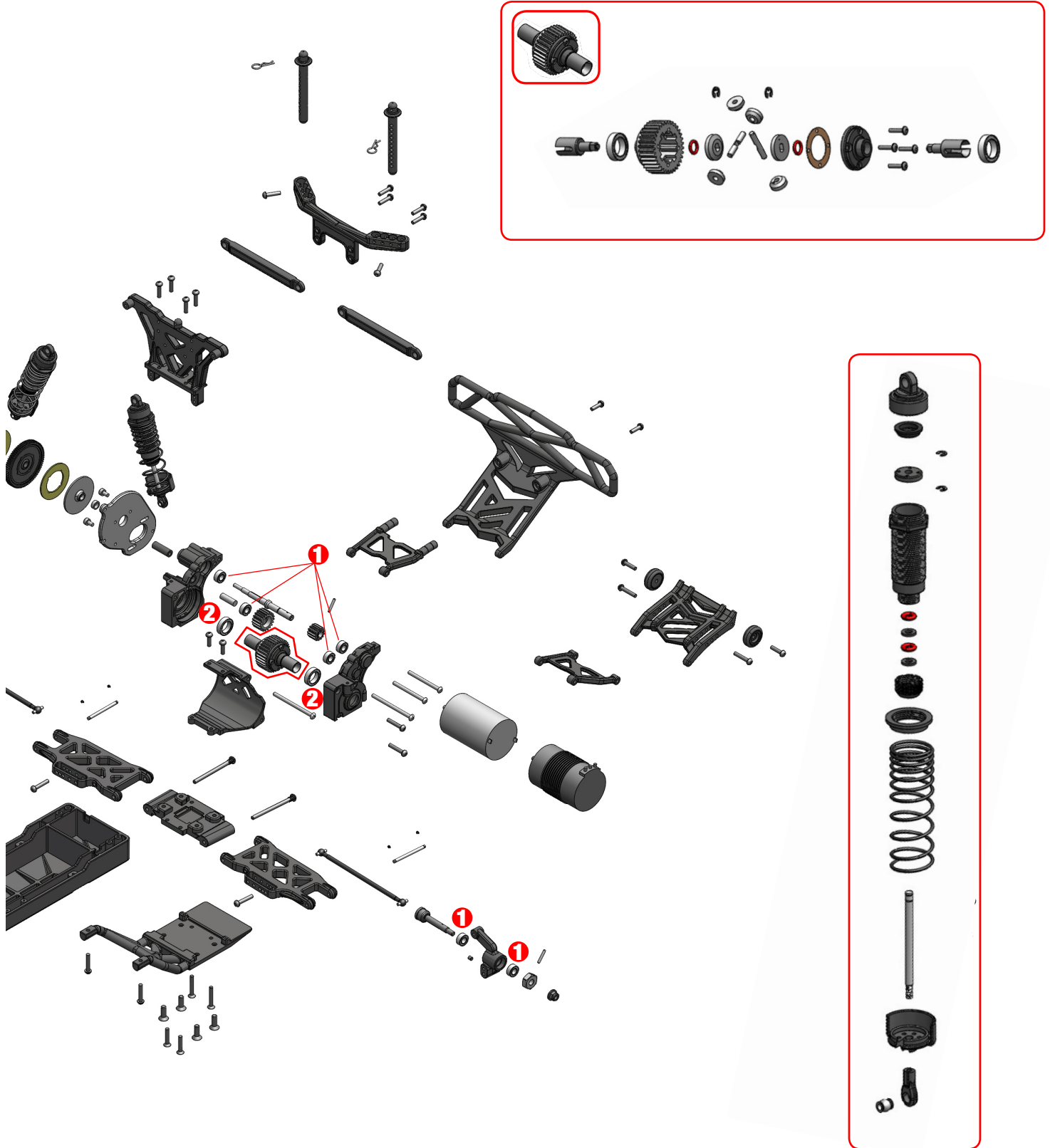


Drain the oil from the shock absorber.

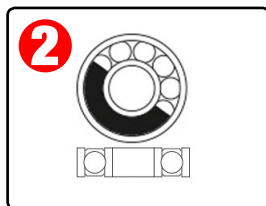
FILL	MOVE UP	WAIT	TIGHTEN 50%	MOVE UP	TIGHTEN FULLY
 ↓	 ↑↓ 3-4x	 5min ↓	 ↓	 ↑ SLOWLY	 ↓
<ul style="list-style-type: none"> • Pull the Shock shaft down. • Fill the shock body with silicone oil (1000cps). 	<ul style="list-style-type: none"> • Move the piston up&down (3-4x) to release the air bubbles in the silicone oil. 	<ul style="list-style-type: none"> • Pull the Shock shaft down. • Install the shock absorber vertically and let it sit for a few minutes until the bubbles rise to the surface. 	<ul style="list-style-type: none"> • Install the silicone membrane in the shock cap. • Tighten slightly the shock cap on the shock body. • A little oil will flow out of the shock absorber. 	<ul style="list-style-type: none"> • Gently move the piston in upper position. • The excess will flow out of the shock absorber. 	<ul style="list-style-type: none"> • Allow the piston in the upper position. • Tighten the cap fully but not too much otherwise the membrane will be deformed.



EXPLODED VIEW

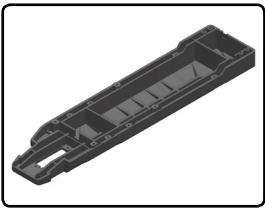


C-3611-2-05-10-04
Ball Bearing - Abec 3
5x10x4mm - 2 pcs

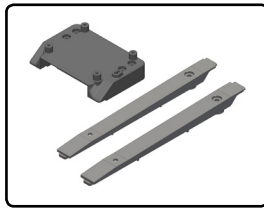


C-3611-4-10-15-04
Ball Bearing - Abec 3
10x15x4mm - 2 pcs

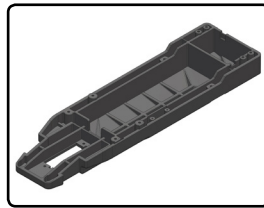
SPARE PARTS



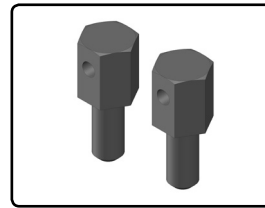
C-00250-001
Chassis - 2WD - Long Wheel-
base - Composite



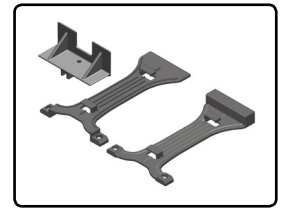
C-00250-002
Chassis Covers - Composite



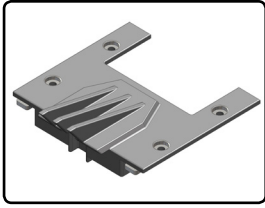
C-00250-004
Chassis - 2WD - Short Wheel-
base - Composite



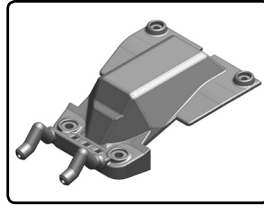
C-00250-005
Battery Brace Screw - 2 pcs



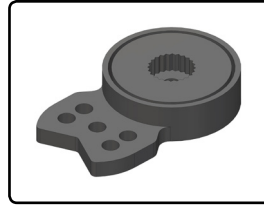
C-00250-006
Battery Brace - 2S/3S -
Composite - 1 Set



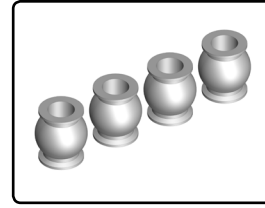
C-00250-007
Chassis Cover - Long Wheel-
base - Front - Composite



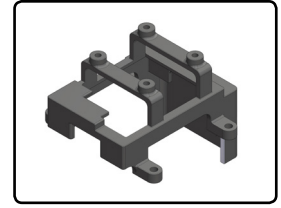
C-00250-008
Chassis Servo Cover -
Composite



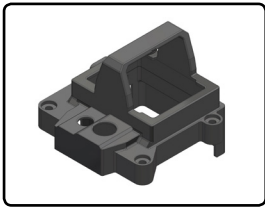
C-00250-009
Servo Saver - Composite



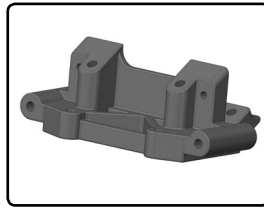
C-00250-010
Ball - 5.8mm - Steel - 4 pcs



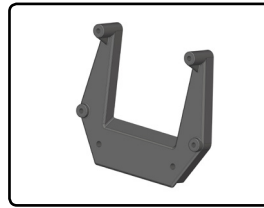
C-00250-012
ESC Bracket - Cora 40 -
Composite



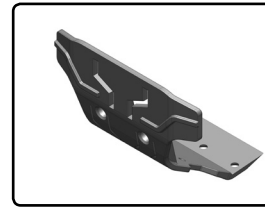
C-00250-013
ESC Bracket - Torox 60 -
Composite



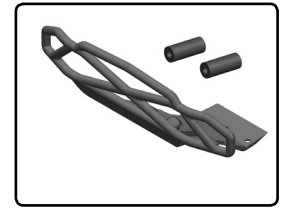
C-00250-014
Front Bulkhead - Composite



C-00250-015
Shock Tower - Front -
Composite



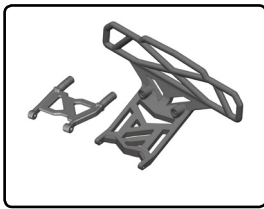
C-00250-016
Bumper - Monster Truck 2WD -
Front - Composite



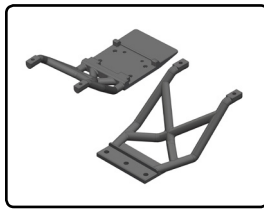
C-00250-017
Bumper - Bull Bar Type -
Front - Composite - 1 Set



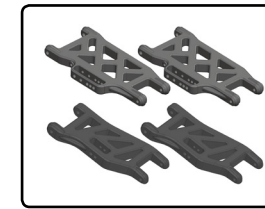
C-00250-018
Body Mount Set - FR/RE - 1 Set



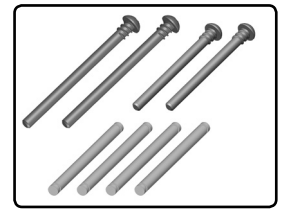
C-00250-020
Bumper - Bull Bar Type - Rear -
Composite - 1 Set



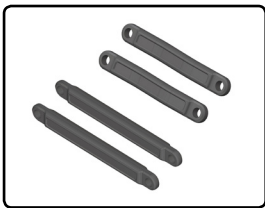
C-00250-021
Skid Plate - FR/RE - 1 Set



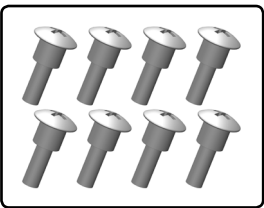
C-00250-022
Suspension Arm - FR/RE -
Composite - 1 Set



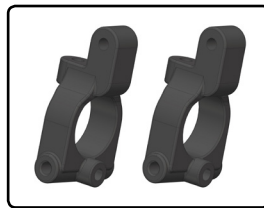
C-00250-023
Arm Pin Set - 1 Set



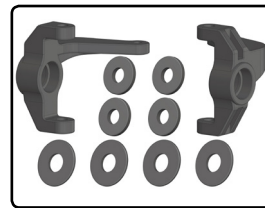
C-00250-025
Camber Links - FR/RE -
Composite - 1 Set



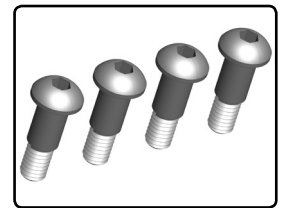
C-00250-026
Shoulder Screws - Steel - 8 pcs



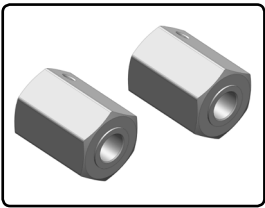
C-00250-028
Caster Block - Composite -
2 pcs



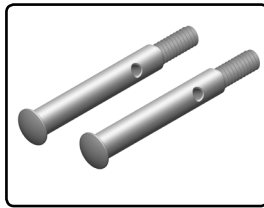
C-00250-029
Steering Knuckle - L/R -
Composite - 1 Set



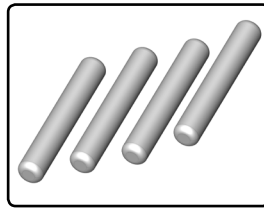
C-00250-031
King Pin - 4 pcs



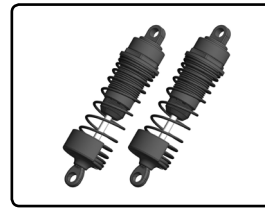
C-00250-035
Wheel Hex Adapter - Front -
Aluminum - 2 pcs



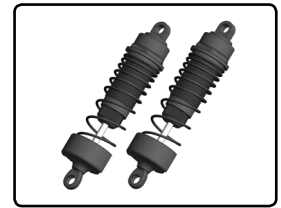
C-00250-036
Wheel Axle - Front - Steel -
2 pcs



C-00250-037
Wheel Axle Pin - ø2x12 - Steel
- 4 pcs



C-00250-040
Shock Absorber - Front - 2 pcs



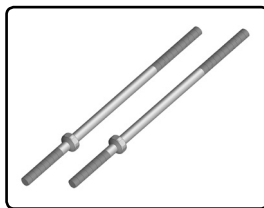
C-00250-041
Shock Absorber - Rear - 2 pcs



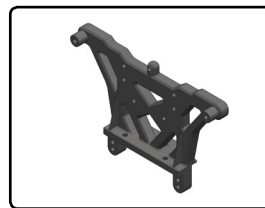
C-00250-049
Gearbox - L/R - Composite -
1 Set



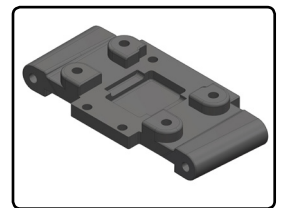
C-00250-051
Ball End - ø5.8mm - Composite
- 4 pcs



C-00250-052
Turnbuckle 80 mm - M3 - Steel
- 2 pcs



C-00250-053
Shock Tower - Rear -
Composite

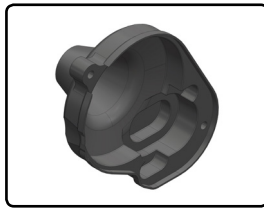


C-00250-058
Bulkhead - Rear - Composite

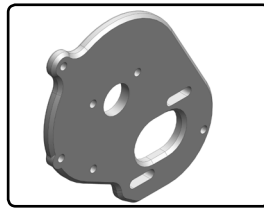
SPARE PARTS



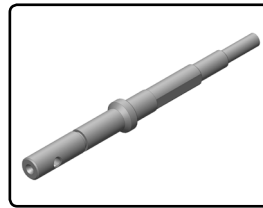
C-00250-059
Motor Guard - Rear - Composite



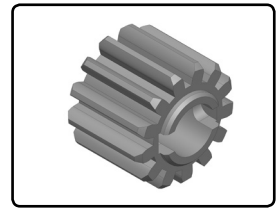
C-00250-060
Gear Cover - Composite



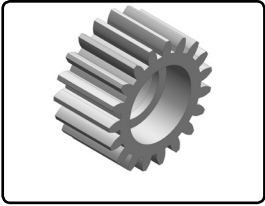
C-00250-061
Motor Mount Plate - Aluminium



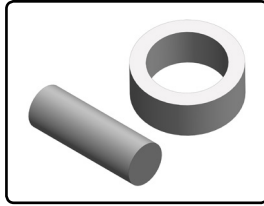
C-00250-062
Input Shaft - Slipper Shaft - Steel



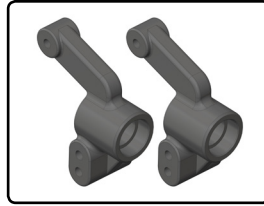
C-00250-063
Drive Gear 13T - Metal



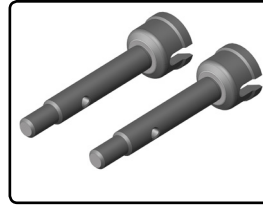
C-00250-065
Idler Gear 19T - Metal



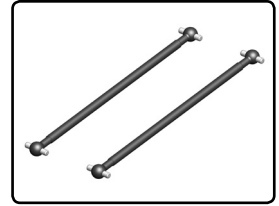
C-00250-066
Stub Axle Pin - for input shaft - Steel



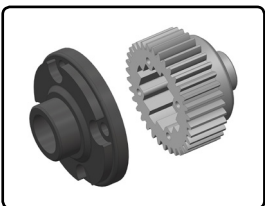
C-00250-068
Hub - Rear - Composite - 2 Pcs



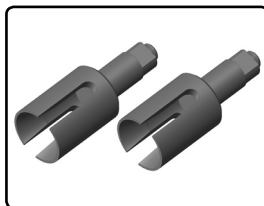
C-00250-069
Wheel Shaft - Rear - Steel - 2 Pcs



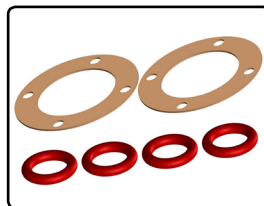
C-00250-070
Drive Shaft - Rear - Steel - 2 Pcs



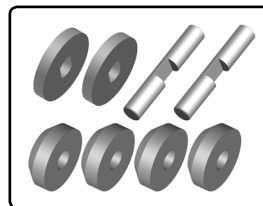
C-00250-071
Diff Gear - Metal - Diff Gear Cover - Composite - 34T - 1 Set



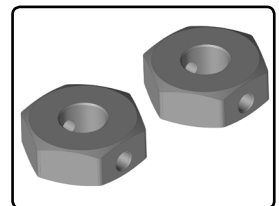
C-00250-073
Diff Outdrive Cup - Steel - 2 pcs



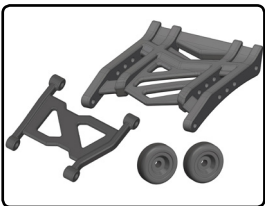
C-00250-074
Diff Gasket - 1 Set



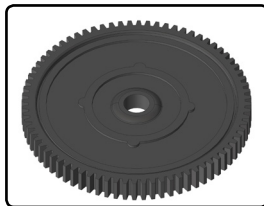
C-00250-075
Diff Gear Set - Metal - 1 Set



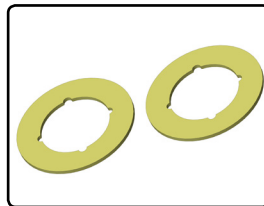
C-00250-078
Wheel Hex Adapter - Rear - Aluminum - 2 pcs



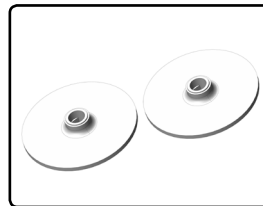
C-00250-081
Wheelie Bar - Composite - 1 Set



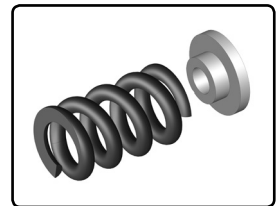
C-00250-087
Spur Gear 56T/32DP - Composite



C-00250-088
Slipper Pad - 2 pcs



C-00250-089
Slipper Clutch Plate - Aluminum - 2 pcs



C-00250-090
Slipper Clutch Spring - 1 Set



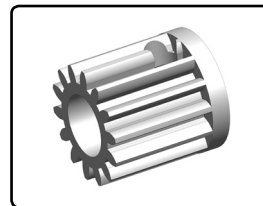
C-00250-092-B
Tire and Rim Set - Black - 1 Pair



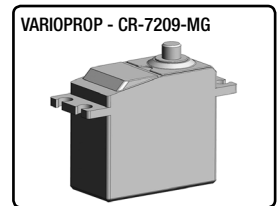
C-00250-092-C
Tire and Rim Set - Chrome - 1 Pair



C-00250-099
Screw Set



C-71514
Motor Pinion - Hardened Steel - 13T / 32DP



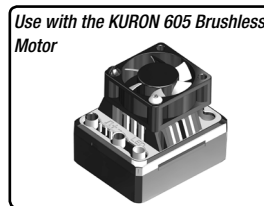
C-52020
Digital Servo - Low Voltage - Core Motor - Metal Gear - 9 Kg Torque



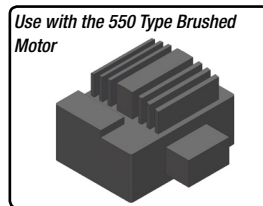
C-00250-100
Electric Motor - 550 Type - Brushed



C-54050
Electric Motor - KURON 605 - 4-Pole - 3500 KV - Brushless



C-54010
Speed Controller - TOROX 60 - Brushless - 2-3S



C-54001
Speed Controller - CORA 40 - Brushed - 2-3S



C-00250-200
Polycarbonate Body - TRITON SP - Printed - Cut



C-00251-200
Polycarbonate Body - TRITON XP - Printed - Cut



C-00254-200
Polycarbonate Body - MAMMOTH SP - Printed - Cut



C-00255-200
Polycarbonate Body - MAMMOTH XP - Printed - Cut



C-00256-200
Polycarbonate Body - MOX00 SP - Printed - Cut



C-00257-200
Polycarbonate Body - MOX00 XP - Printed - Cut

DECLARATION OF CONFORMITY
EU-Konformitätserklärung/ Déclaration de Conformité UE

(in accordance with ISO/IEC 17050-1) / (in Übereinstimmung mit ISO/IEC 17050-1) /
 (Conformément à la norme ISO/IEC 17050-1)

Description : **1/10 Monter Truck 2WD - RTR**

Item Number: **C-00250, C-00251, C-00252, C-00253, C-00254, C-00255, C-00256, C-00257**

This declaration is issued under the sole responsibility of the manufacturer.
 Die alleinige Verantwortung für die Ausstellung dieser Erklärung trägt der Hersteller.
 La présente déclaration est établie sous la seule responsabilité du fabricant.

Product(s)/Produkt(e)/ Produit(s) : **1/10 Monter Truck 2WD - RTR**

The object of declaration described above is in conformity with the relevant Union harmonization Legislation, specifically the requirements of the specifications listed below, following the provisions of the European RED Directive 2014/53/EU:
 Der Gegenstand dieser Erklärung ist konform mit den Harmonisierungsrechtsvorschriften der Europäischen Union, insbesondere mit den unten aufgeführten Bestimmungen, und folgt der europäischen RED Direktive 2014/53/EU:
 L'objet de la déclaration décrit ci-dessus est conforme à la législation pertinente en matière d'harmonisation de l'Union européenne, en particulier les exigences des spécifications énumérées ci-dessous, conformément aux dispositions des directives européennes RED 2014/53/EU:

EN 300 440 V2.1.1:2017

EN 301 489-3 V1.6.1:2013

EN 301 489-1 V2.1.1:2017

EN 60950-1:2006+A11:2009+A1:2010+A12:2011+A2:2013

EN 62479:2010

EN 55024:2010+A1:2015

EN 55032:2015

EN 61000-3-3:2013

EN 61000-3-2:2014

JSP GROUP INTL • Geelseweg, 80 • 2250 Olen • Belgium

Signed for and on behalf of/ Unterzeichnet für und im Namen von/ Signé pour et au nom de :

Place/Ort/Lieu and Date/Datum/Data : **Olen, Belgium, 29 Mai 2019**

Name/Nom: **Stefan Engelen**

Signature/Unterschrift :

Title/Titel/Titre : **Ceo**





WWW.CORALLY.COM

Team Corally is a registered trademark licensed to
JSP Group Intl bvba • Geelseweg 80 • B-2250 OLEN • Belgium
Tel: +32 14 25 92 94 • Info@corally.com