



Engineered to be the fastest

SBX410



CHECK FOR THE LATEST
VERSION OF THIS
INSTRUCTION MANUAL

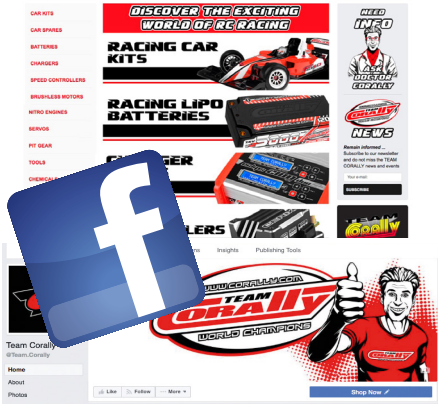
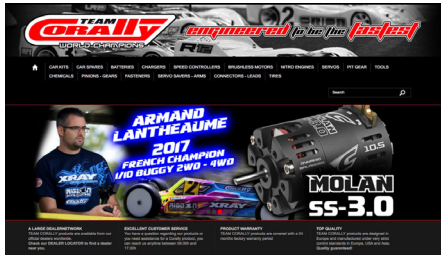


INSTRUCTION MANUAL

2018-V3

**STAY
TUNED...**

WWW.CORALLY.COM



<https://www.facebook.com/Team.Corally>

SBX410

RECOMMENDED ACCESSORIES

MOLAN SS3.0 Modified - 3.5 Turns



- Precision machined T6 aluminium motor can
- High purity copper windings maximizes conductivity
- High power solder tabs
- Removable and replaceable rotor
- Powerful sintered Neodymium magnet
- Improved stator design for higher efficiency
- Adjustable Timing
- Compatible with all Sensored / Sensorless ESC

"CS 4014" SERVO HIGH SPEED - HIGH VOLTAGE SERVO



C-52002

- Low Profile Servo
- Ultra High Speed
- High Voltage 6 - 8.4V
- Coreless Motor
- Titanium Gears
- 12 Kg Torque/cm @ 7.4V
- Speed 0.08 sec/60°
- Weight 56g

CONTROLLER "CERIX 160 PRO"

C-53003-1



- For sensored and sensorless motors
- Manufactured with the highest grade components
- Ultra compact design
- Aluminium case for improved heat dissipation
- Built in power switch
- Advanced boost & turbo timing system for improved acceleration performance
- Enhanced throttle & brake control function.
- 10 programmed profiles can be stored in the ESC
- BEC voltage 6.0V 3A Current
- Powerful TC Link software to test motor timing and advise the best ESC timing setting

RECOMMENDED ACCESSORIES & TOOLS

VOLTAX 120C

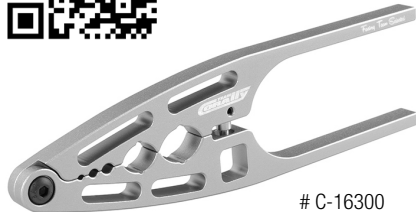


Voltax 120C LiPo Battery

C-49505 5000mAh - 7.4V - Shorty 2S

TC Shock Pliers

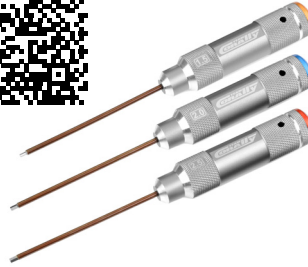
For use with 1/12 - 1/10 - 1/8 scale



C-16300

Hex Drivers

Aluminium handle • Hardened tool tip



C-16130 Factory Pro Tool - Hex Driver 1.5 mm

C-16131 Factory Pro Tool - Hex Driver 2.0 mm

C-16132 Factory Pro Tool - Hex Driver 2.5 mm

Cutter Knife - Needle Nose Pliers

For plastic parts and circlips

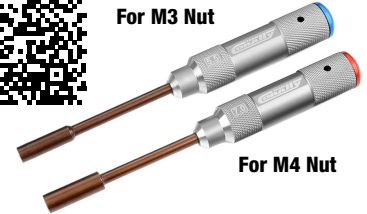


Nut Drivers

Aluminium handle • Hardened tool tip



For M3 Nut



For M4 Nut

C-16161 Factory Pro Tool - Nut Driver 5.5 mm

C-16162 Factory Pro Tool - Nut Driver 7.0 mm

100 Lock-It

Screwlock - Soft



C-13094

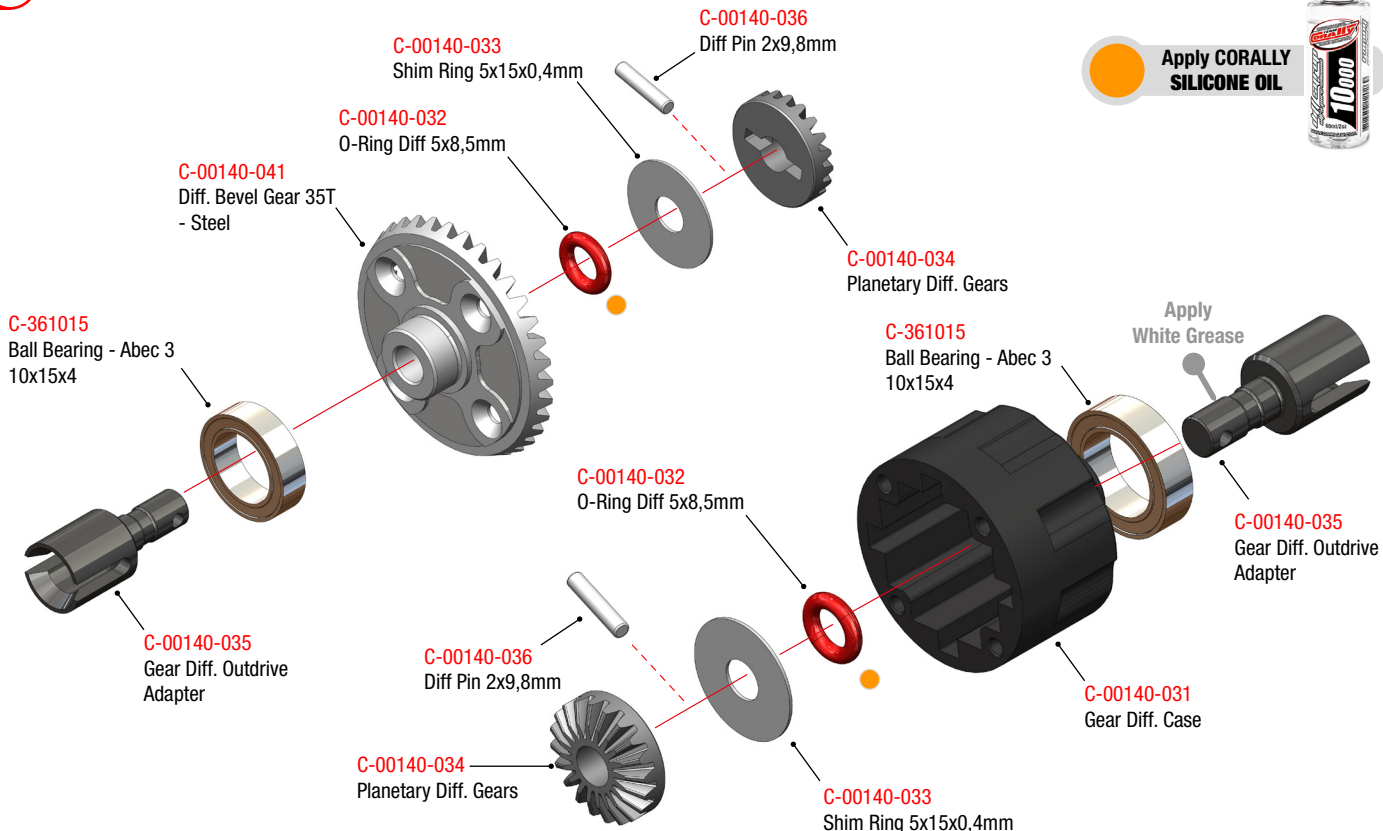
105 Stick-It

Thin - CA Glue



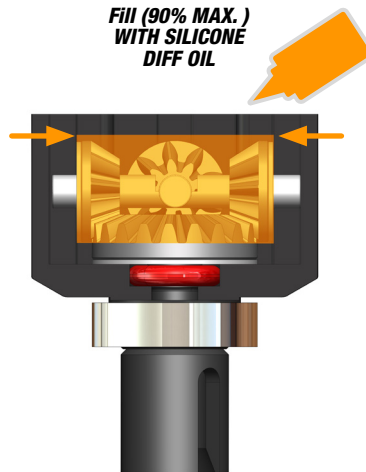
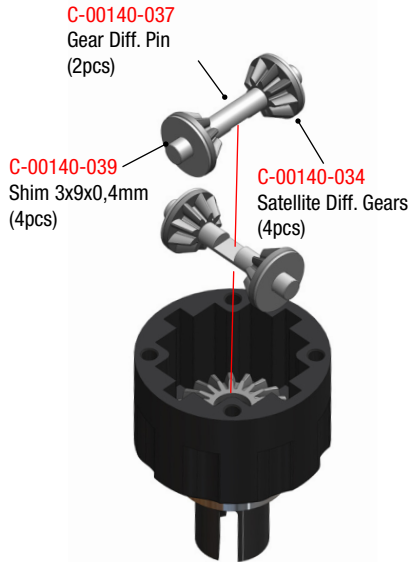
C-13090

1 FRONT & REAR DIFFERENTIAL

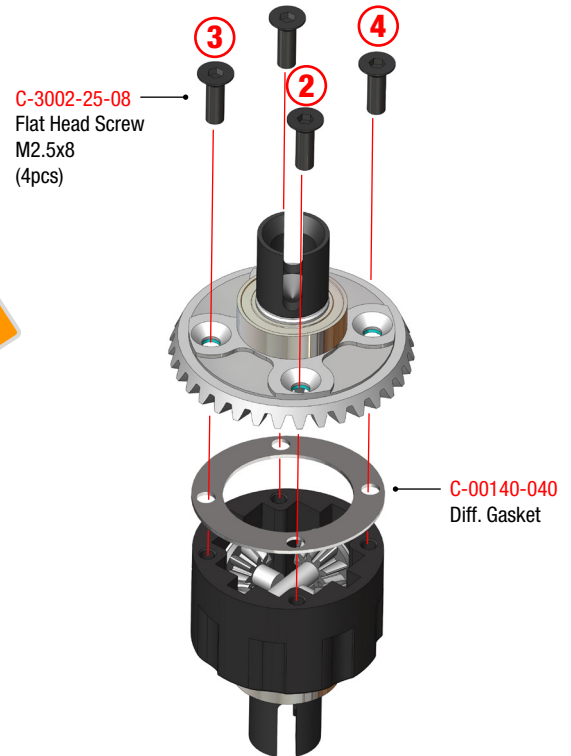




2 FRONT & REAR DIFFERENTIAL

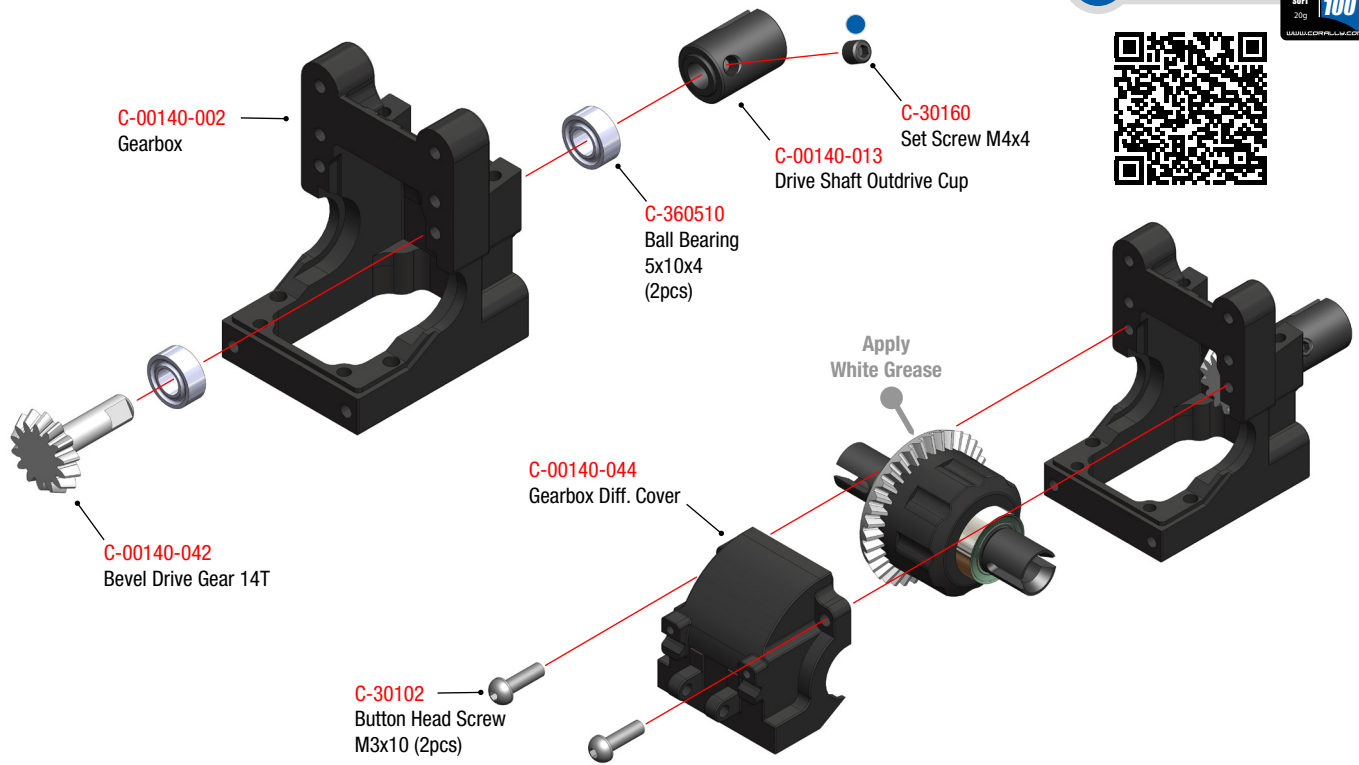


Tightening Sequence 1



3 GEAR BOX ASSEMBLY - FRONT & REAR

Apply CORALLY
LOCK-IT 100

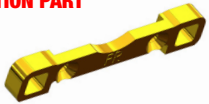




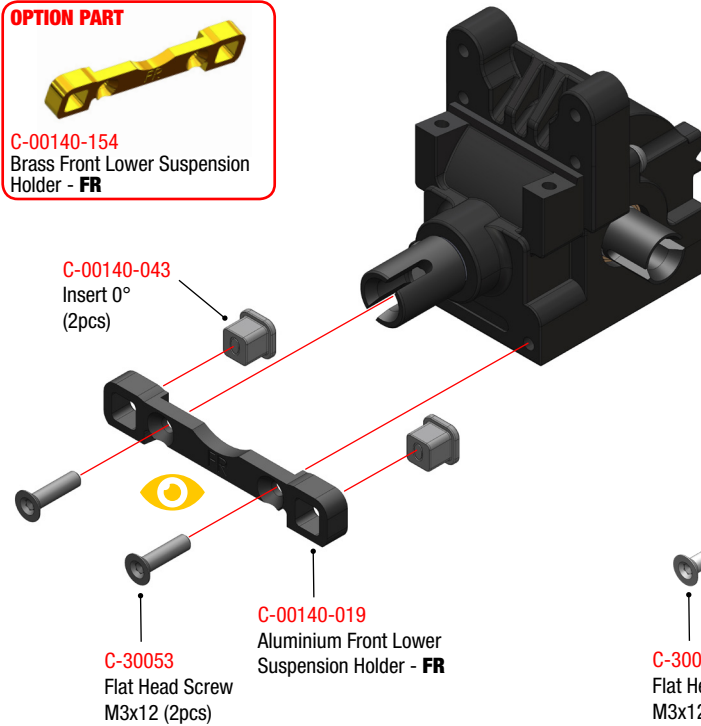
4 GEAR BOX ASSEMBLY - FRONT & REAR

FRONT GEAR BOX

OPTION PART



C-00140-154
Brass Front Lower Suspension
Holder - **FR**



C-00140-043
Insert 0°
(2pcs)

C-30053
Flat Head Screw
M3x12 (2pcs)

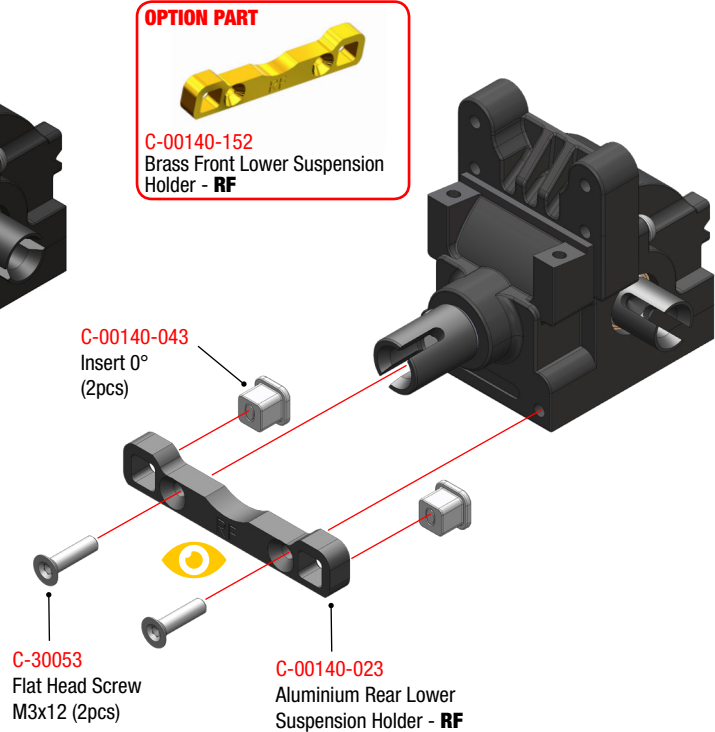
C-00140-019
Aluminium Front Lower
Suspension Holder - **FR**

REAR GEAR BOX

OPTION PART



C-00140-152
Brass Front Lower Suspension
Holder - **RF**



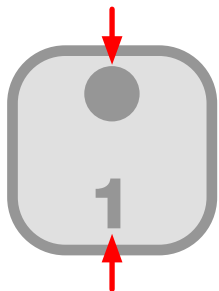
C-00140-043
Insert 0°
(2pcs)

C-30053
Flat Head Screw
M3x12 (2pcs)

C-00140-023
Aluminium Rear Lower
Suspension Holder - **RF**

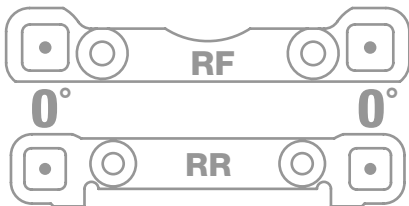
ECCENTRIC INSERT OFFSETS SETTINGS

THE DOT INDICATES THE HOLE POSITION

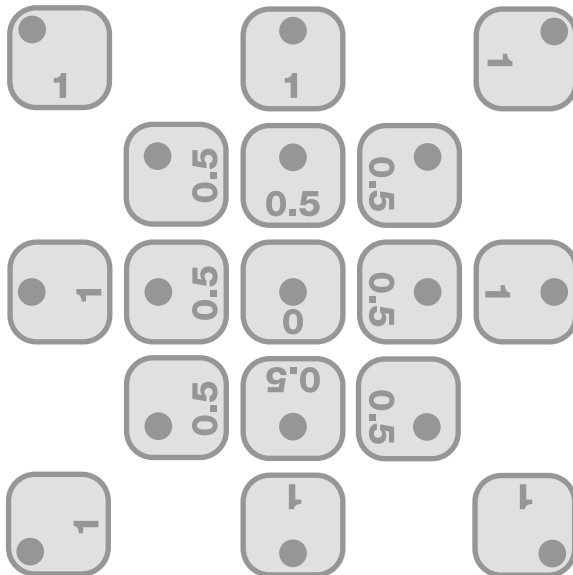


THE NUMBER INDICATES THE VALUE (°)

FACTORY SETTINGS = 0°

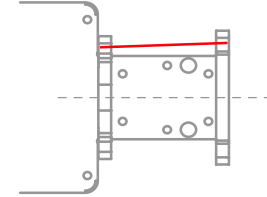
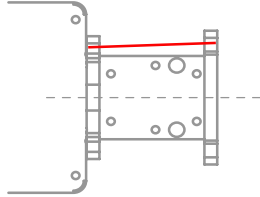


POSSIBLE INSERT HOLE POSITION



0 5 10 15 20

TOE ANGLE



TOE ANGLE 0.5°

		2°
		1,5°
		1°
		2,5°
		2°
		1,5°
		3°
		2,5°
		2°

TOE ANGLE 1°

		2°
		1°
		0°
		3°
		2°
		1°
		4°
		3°
		2°



ANTI-SQUAT ANGLE



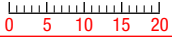
ANTI-SQUAT ANGLE 0.5°

		2°
		1,5°
		1°
		2,5°
		2°
		1,5°
		3°
		2,5°
		2°

ANTI-SQUAT ANGLE 1°

		2°
		1°
		0°
		3°
		2°
		1°
		4°
		3°
		2°





ROLL CENTRE



ROLL CENTRE

		+0,70mm
		+0,35mm
		0mm
		-0,35mm
		-0,70mm

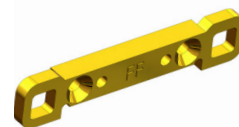
5 FRONT SUSPENSION ARMS ASSEMBLY - L&R

OPTION PART

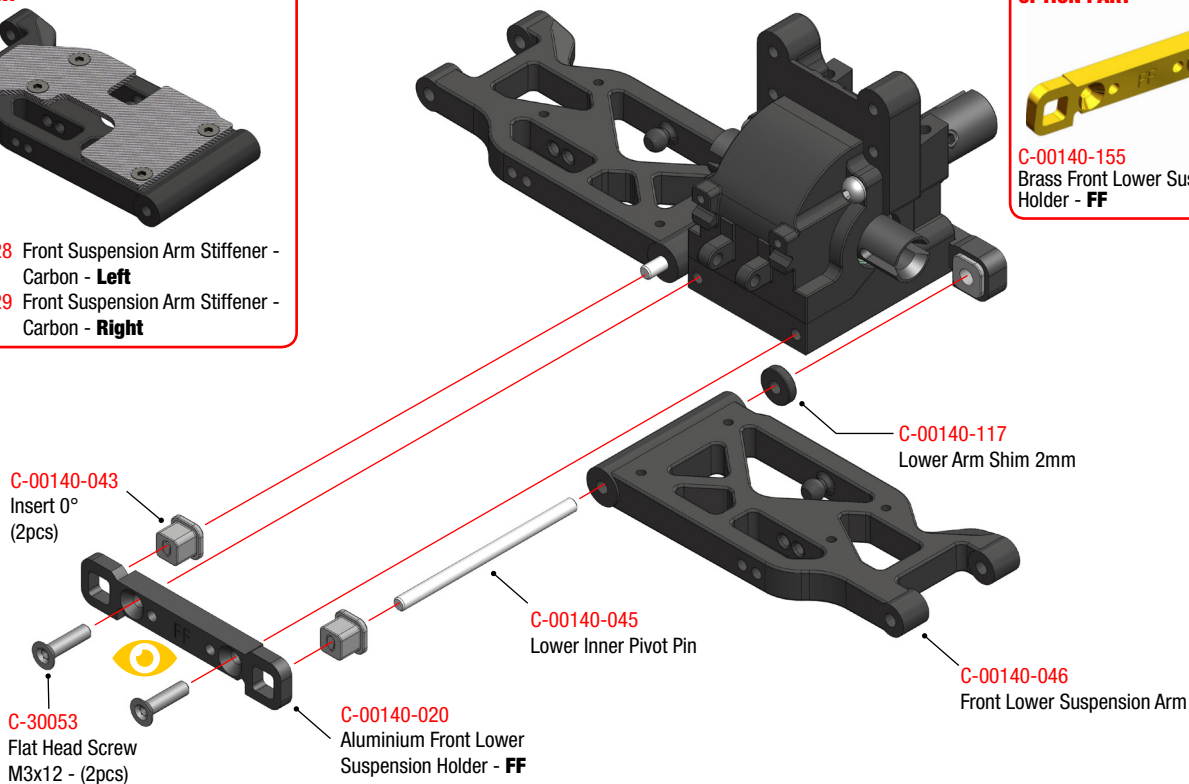


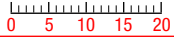
- C-00140-128 Front Suspension Arm Stiffener - Carbon - **Left**
- C-00140-129 Front Suspension Arm Stiffener - Carbon - **Right**

OPTION PART

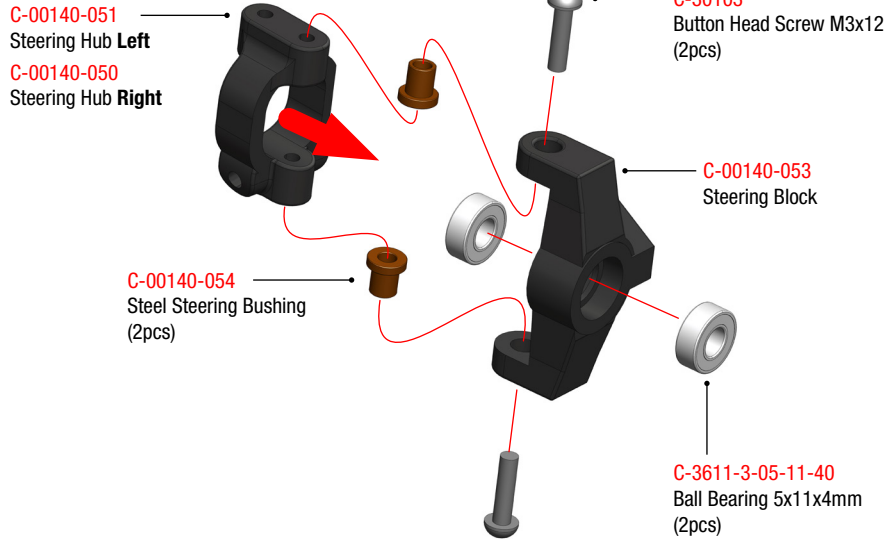


- C-00140-155 Brass Front Lower Suspension Holder - **FF**





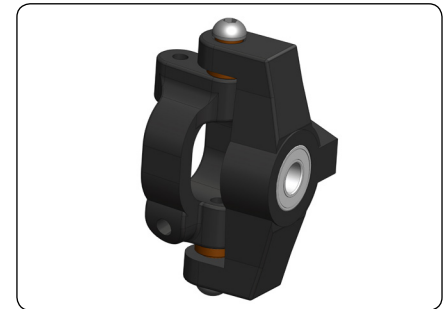
6 FRONT HUB CARRIER ASSEMBLY - L&R



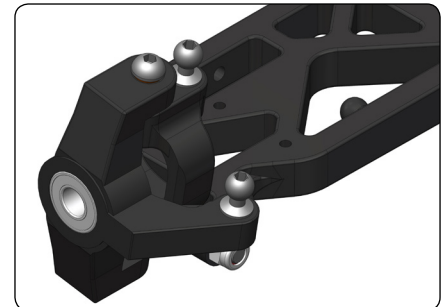
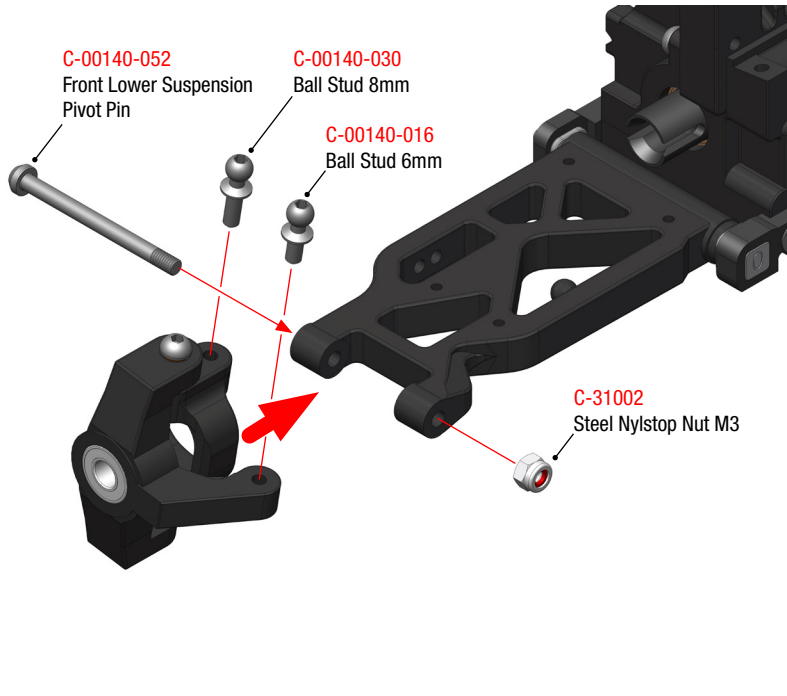
OPTION PART



- C-00140-124
Aluminium Steering Hub - **Left**
- C-00140-125
Aluminium Steering Hub - **Right**

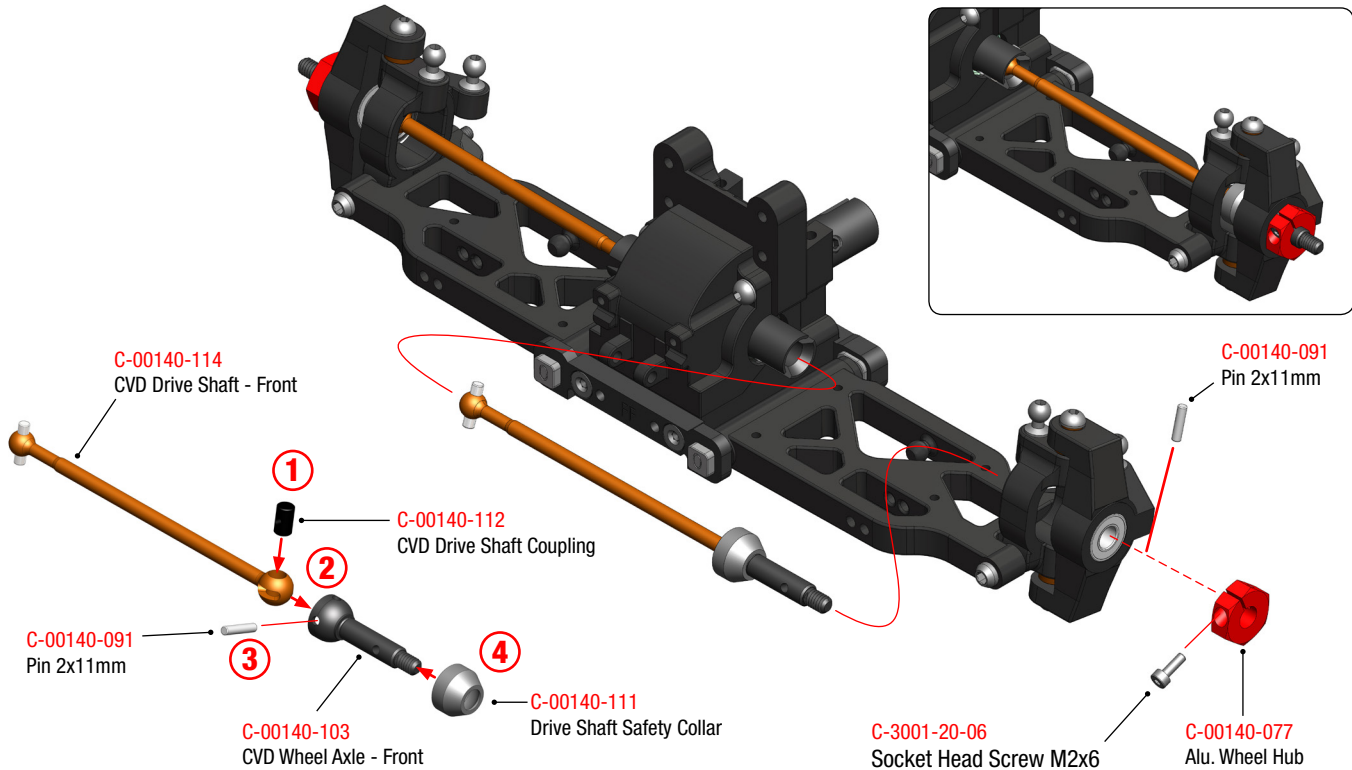


7 FRONT SUSPENSION ASSEMBLY - L&R

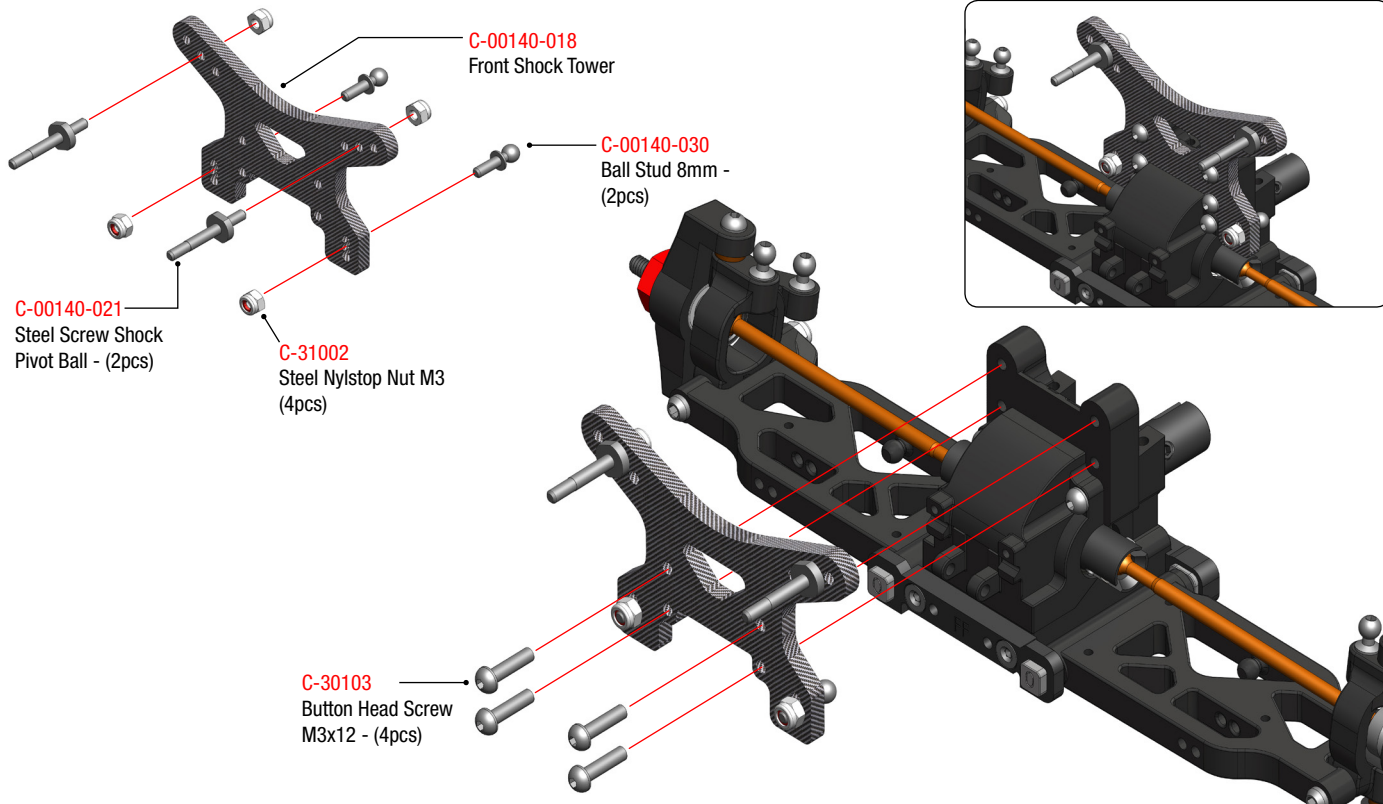


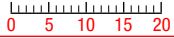


8 FRONT DRIVE SHAFT ASSEMBLY - L&R



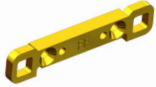
9 FRONT SHOCK TOWER ASSEMBLY





10 REAR SUSPENSION ASSEMBLY

OPTION PART

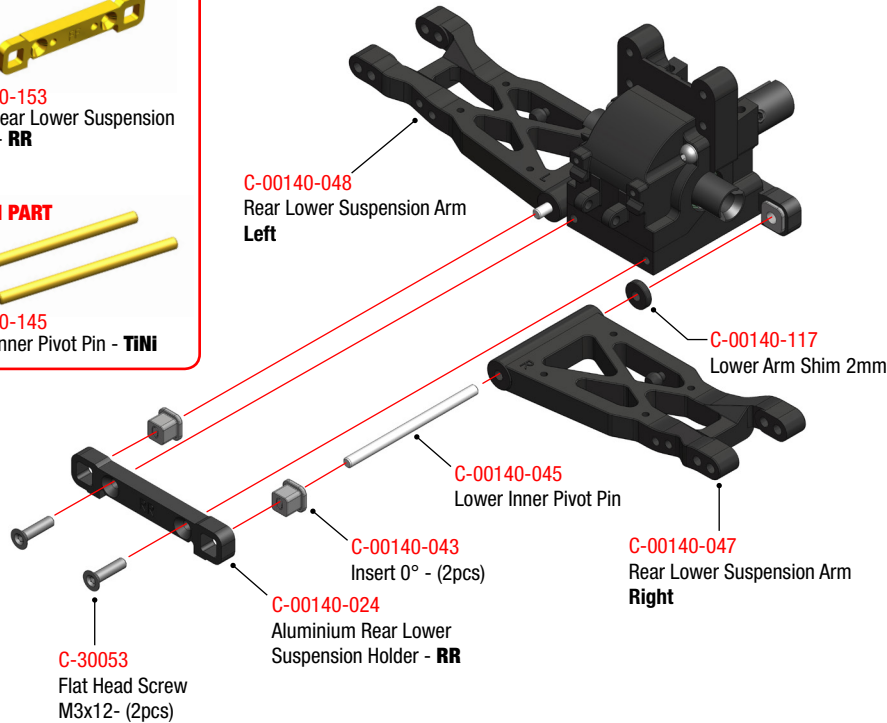


C-00140-153
Brass Rear Lower Suspension
Holder - **RR**

OPTION PART



C-00140-145
Lower Inner Pivot Pin - **TINI**

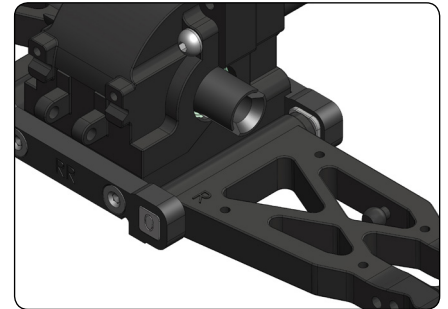


OPTION PART

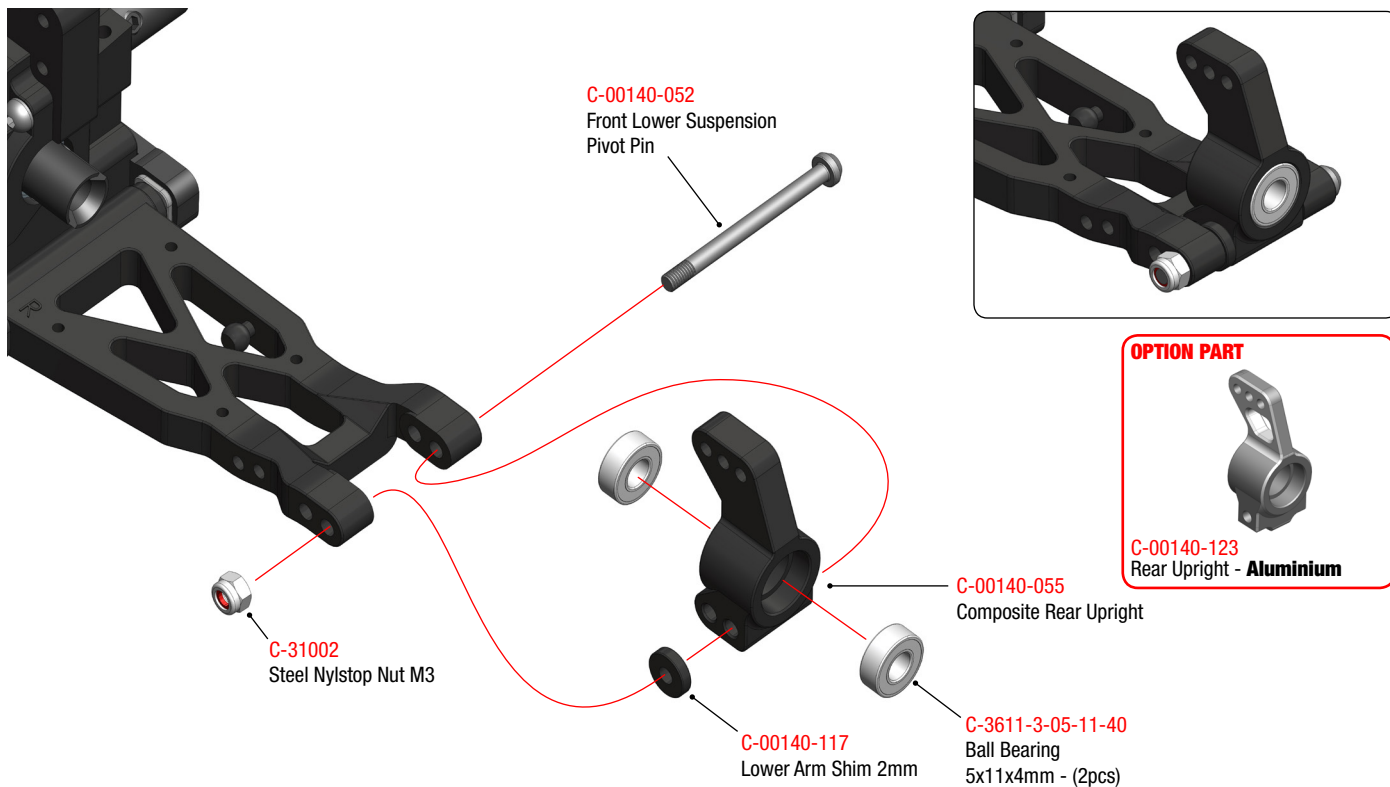


C-00140-126 Rear Suspension Arm
Stiffener - Carbon - **Left**

C-00140-127 Rear Suspension Arm
Stiffener - Carbon - **Right**

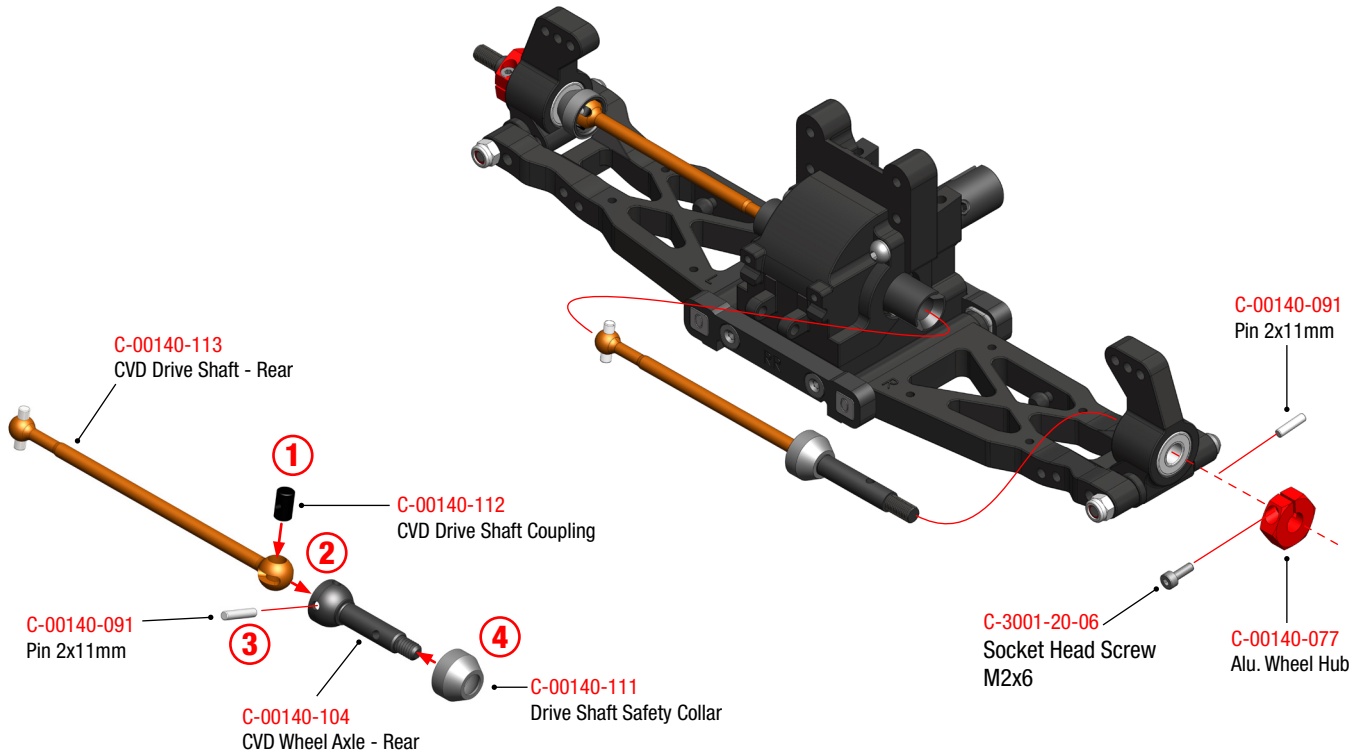


11 REAR HUB CARRIER ASSEMBLY - L&R

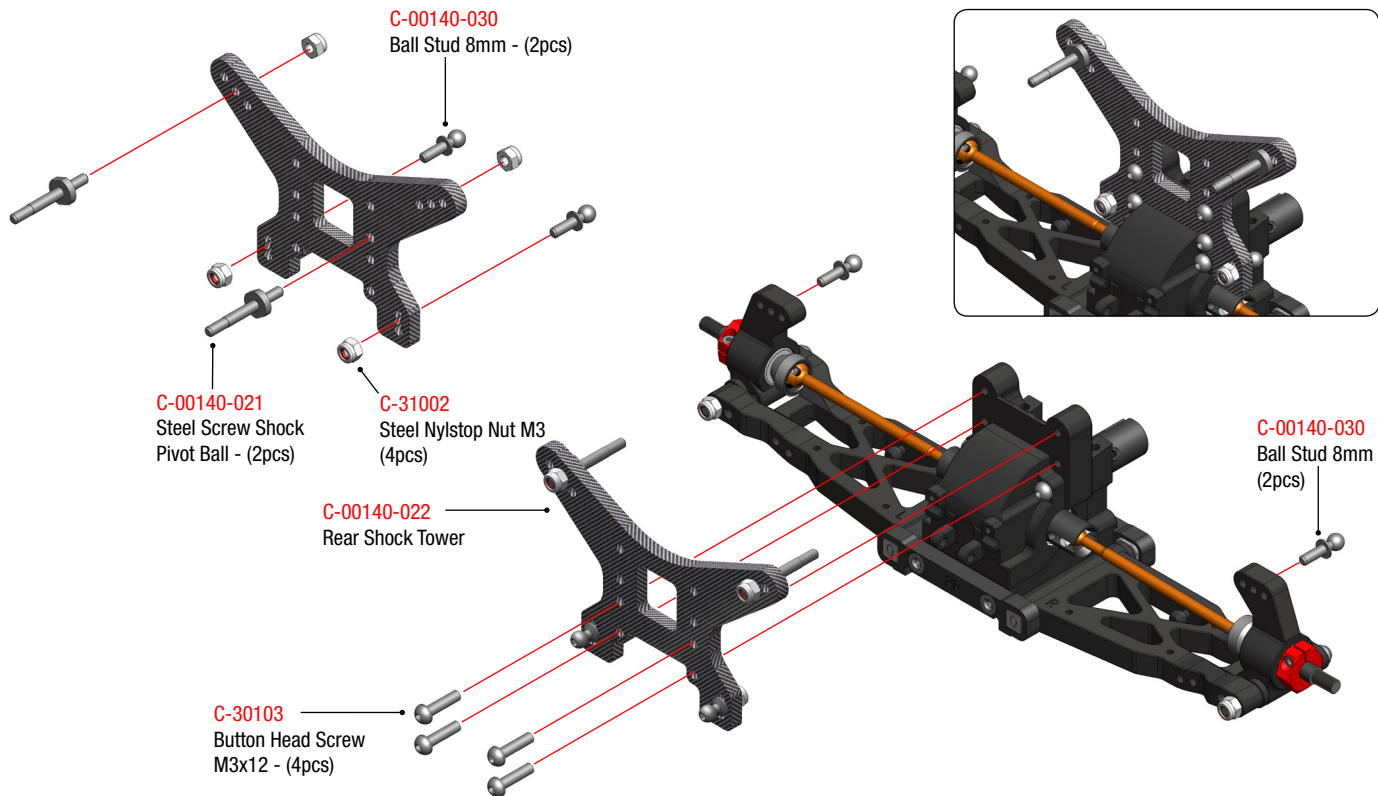


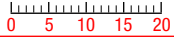


12 REAR DRIVESHAFT ASSEMBLY - L&R



13 REAR SHOCK TOWER ASSEMBLY



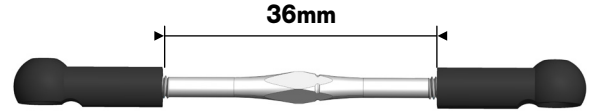


14 REAR SUSPENSION UPPER ARMS ASSEMBLY - L&R

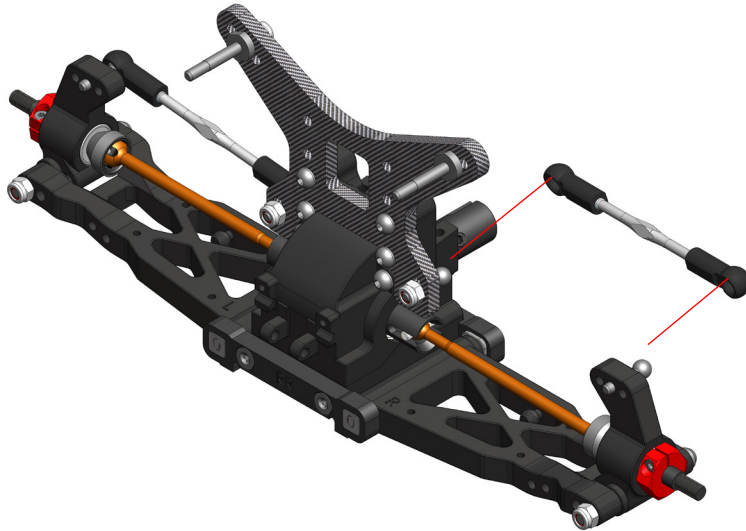


C-00140-057
Turnbuckle 54mm

C-00140-056
Ball Joint - (2pcs)



2x



OPTION PART



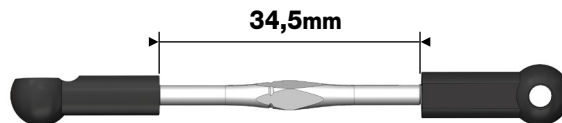
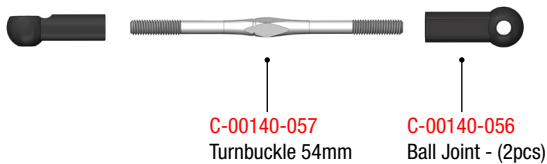
C-00140-146
Turnbuckle 54mm - **Titane**



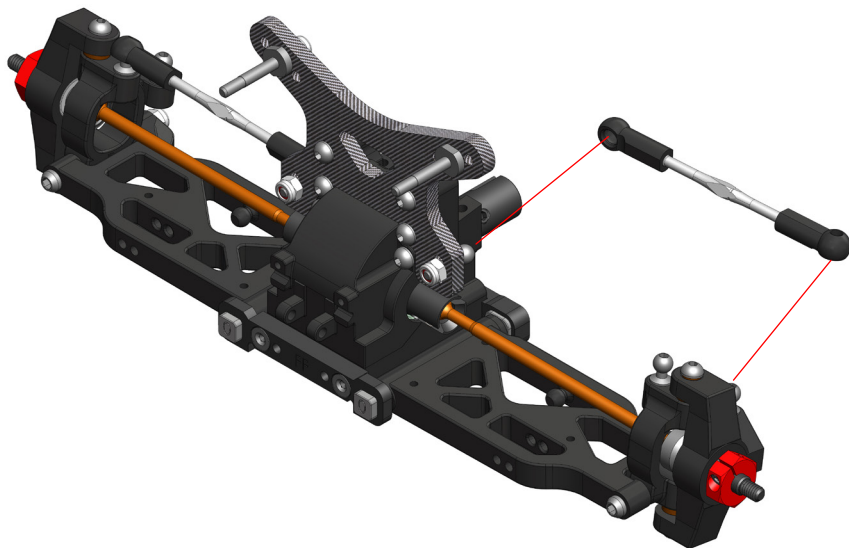
C-16300
Install the pivot ball using
the Corally Professional
Pliers



15 FRONT UPPER SUSPENSION ARMS ASSEMBLY



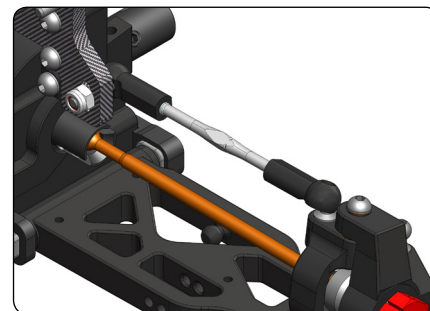
2x



OPTION PART

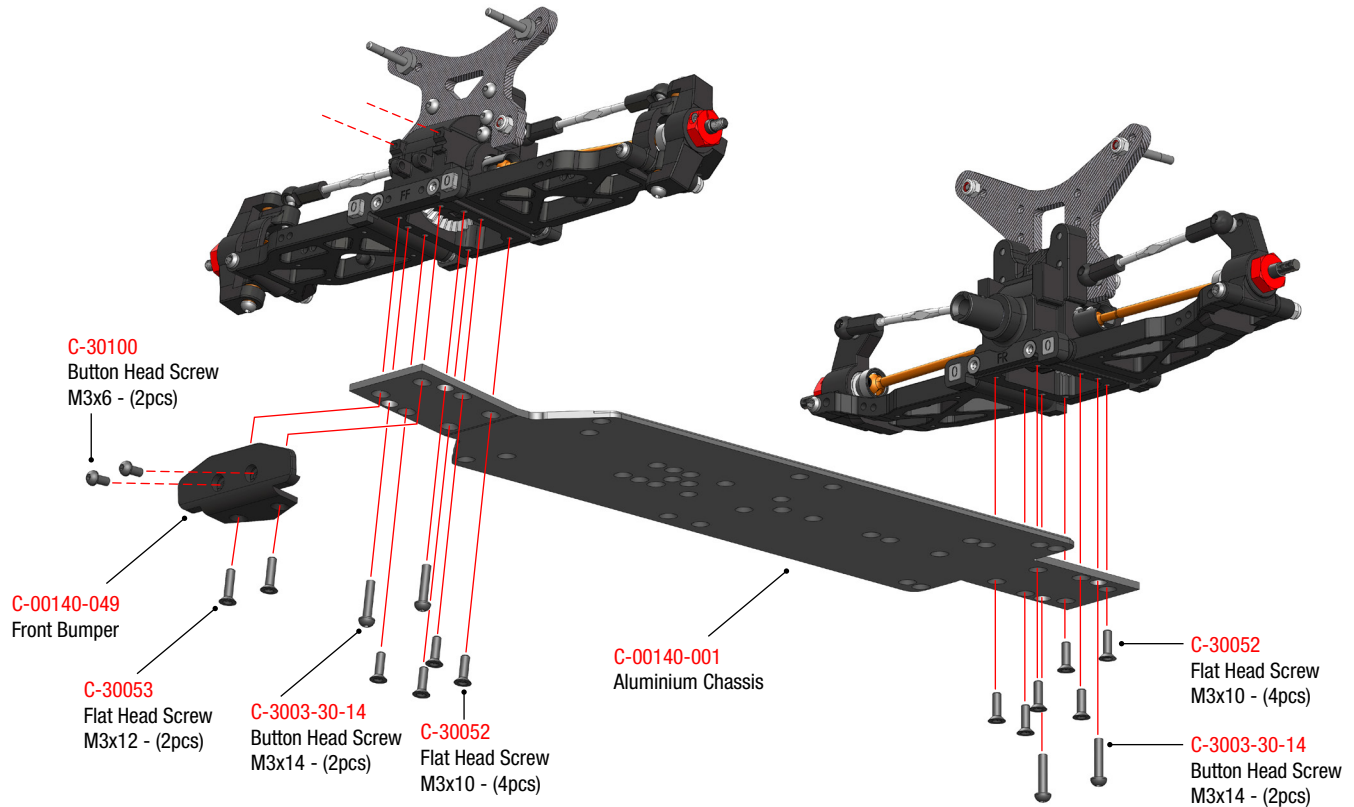


C-00140-146
Turnbuckle 54mm - **Titane**

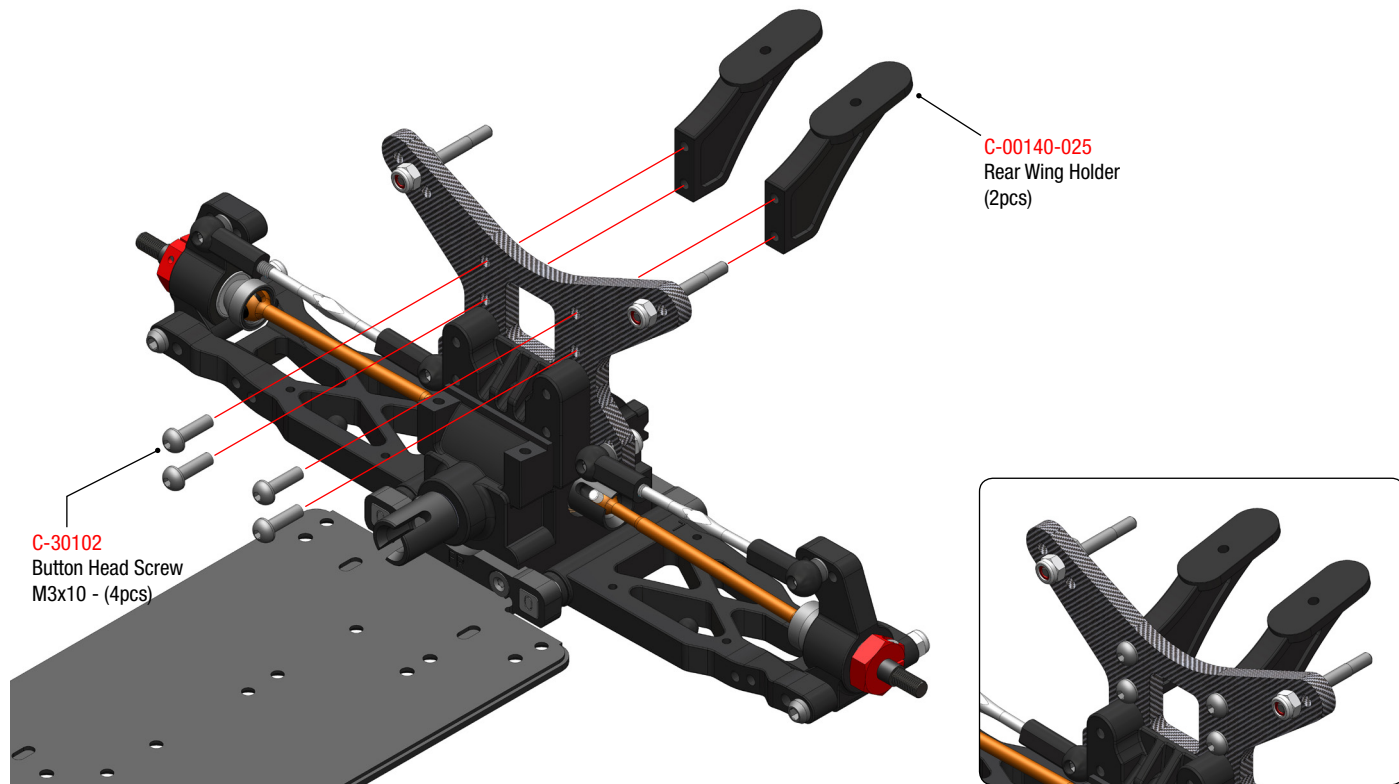




16 DRIVE TRAINS INSTALLATION

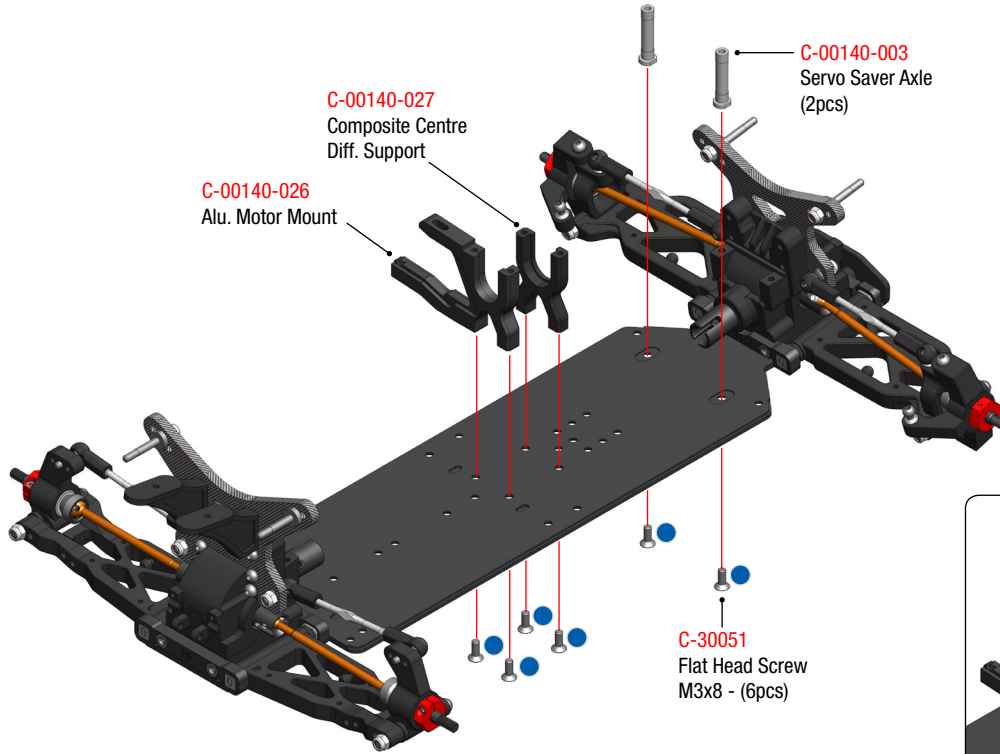


17 REAR WING SUPPORT ASSEMBLY





18 CENTER DIFF SUPPORT ASSEMBLY

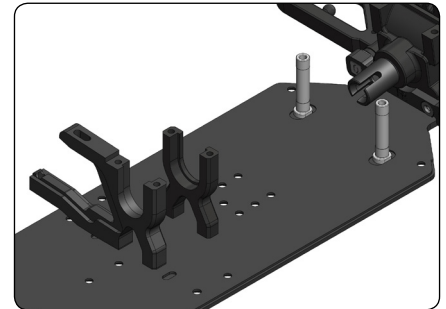


Apply CORALLY
LOCK-IT 100



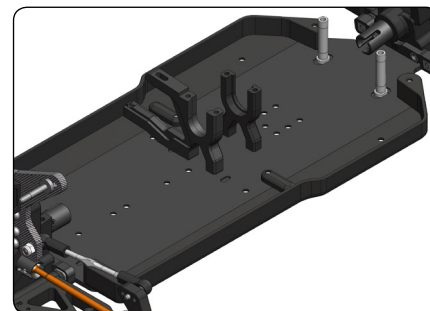
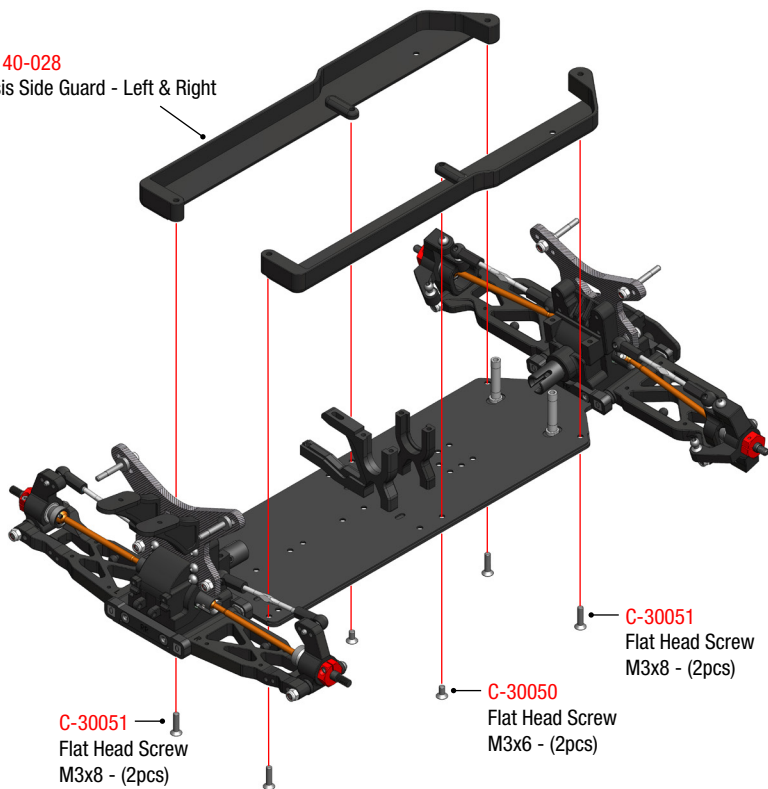
OPTION PART

C-00140-150
Centre Diff. Support - **Aluminium**



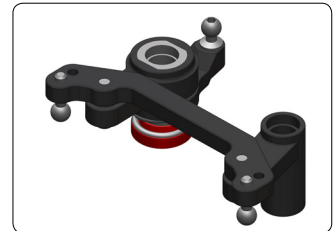
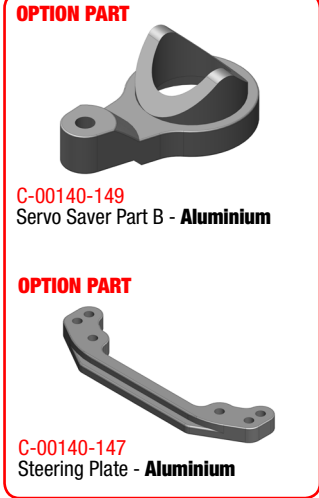
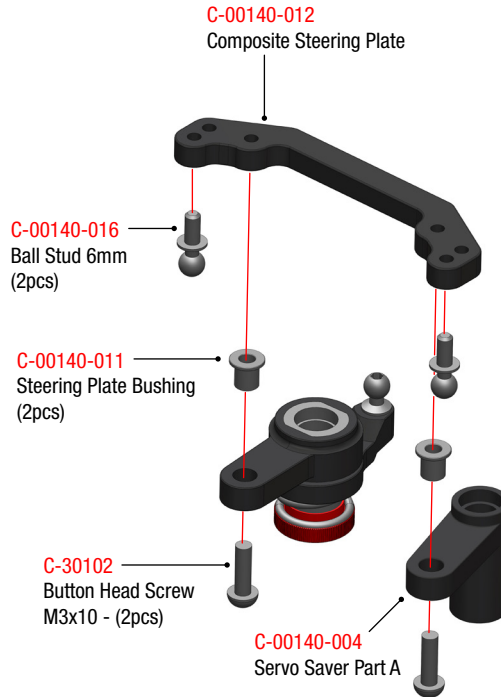
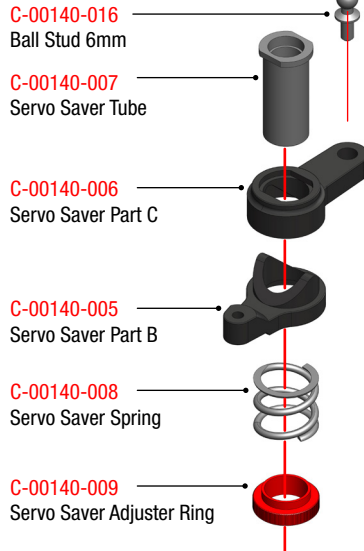
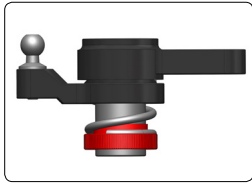
19 SIDE GUARDS INSTALLATION

C-00140-028
Chassis Side Guard - Left & Right

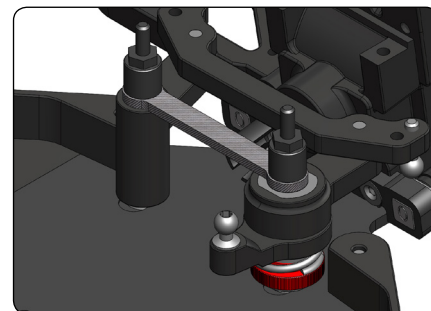
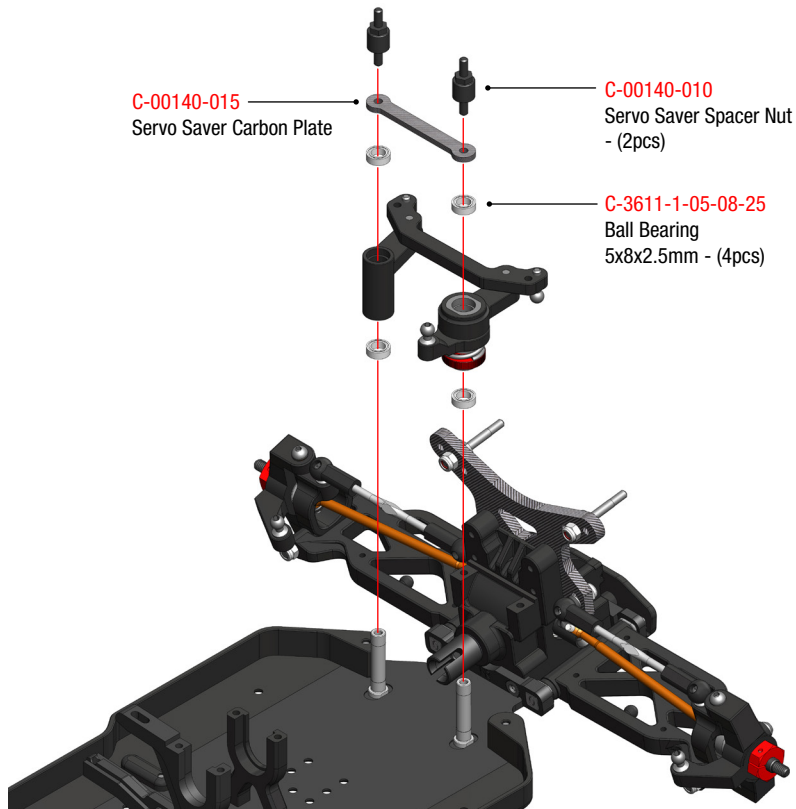




20 SERVO-SAVER ASSEMBLY



21 SERVO-SAVER INSTALLATION



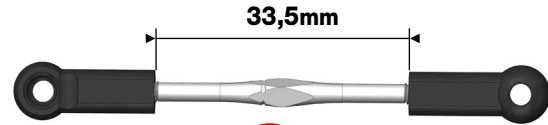


22 STEERING LINKS ASSEMBLY

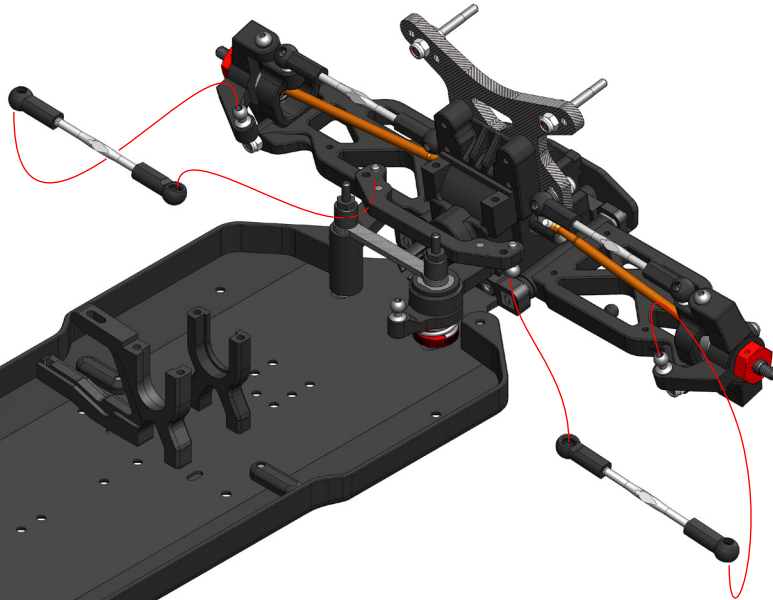


C-00140-056
Turnbuckle 54mm

C-00140-057
Ball Joint - (2pcs)



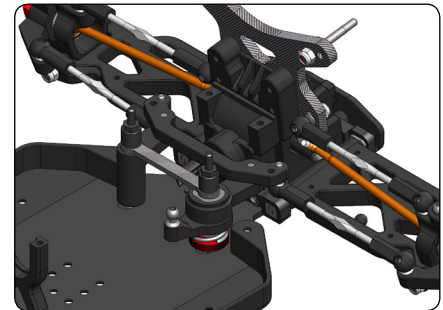
2x



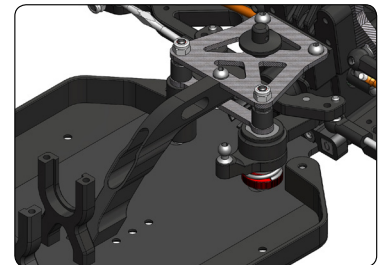
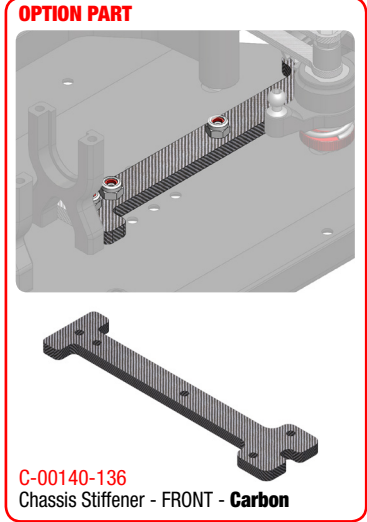
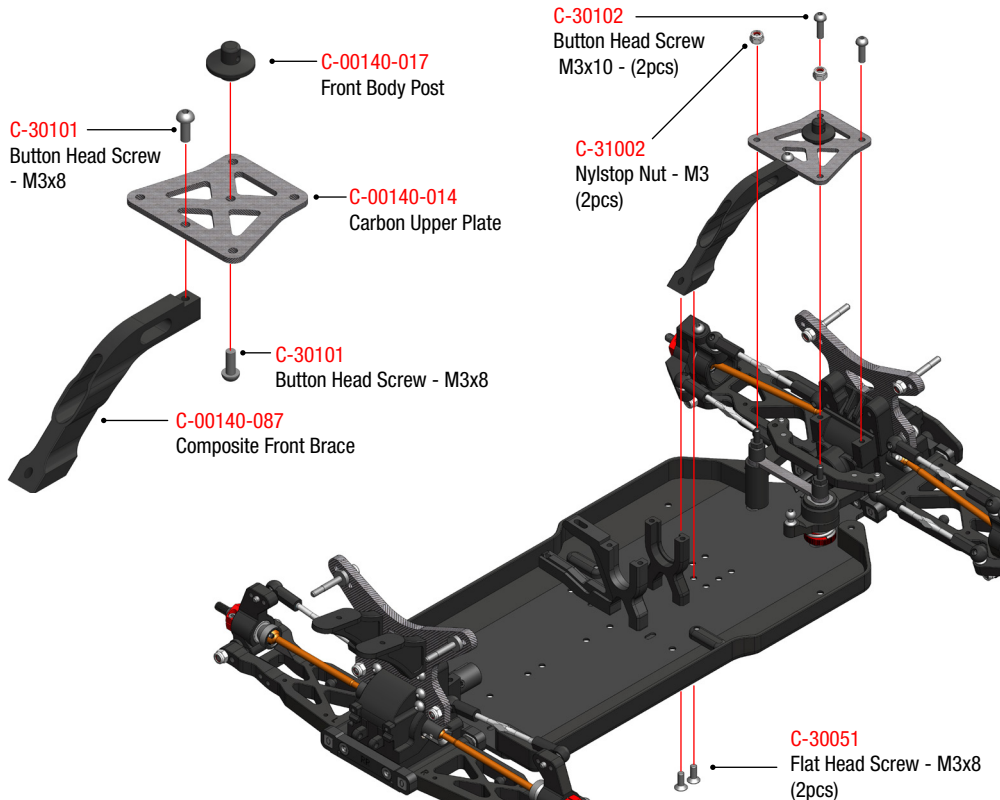
OPTION PART



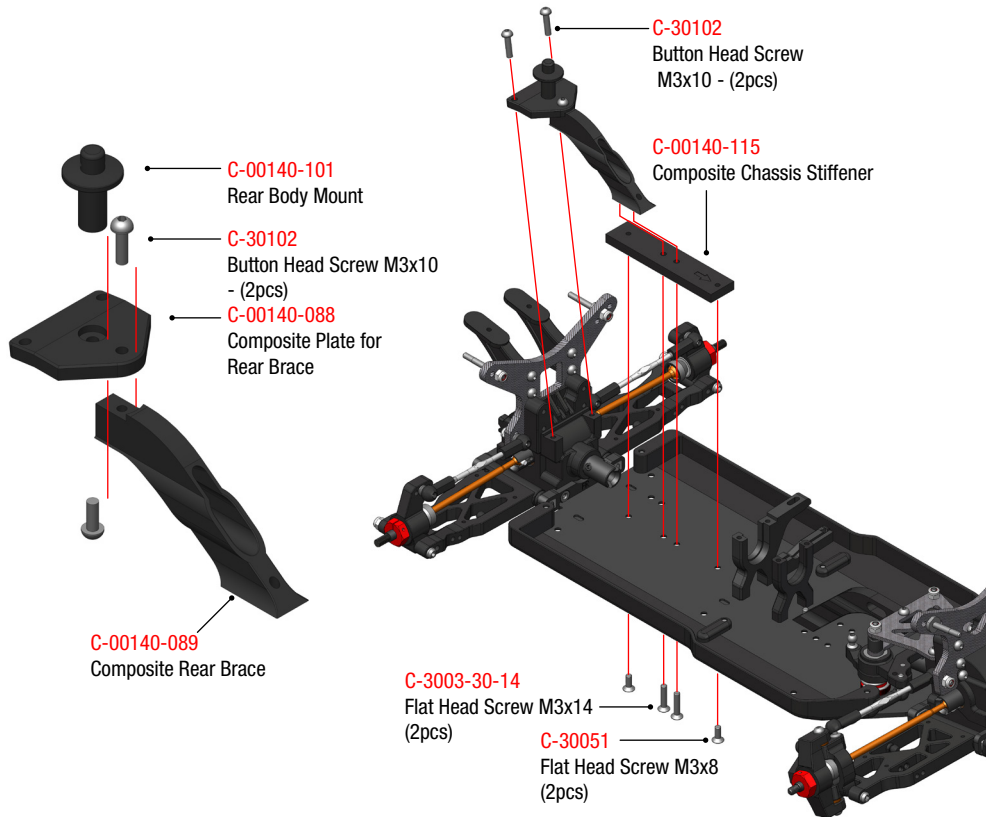
C-00140-146
Turnbuckle 54mm - **Titane**



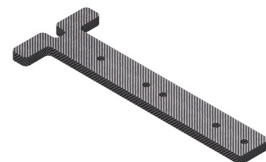
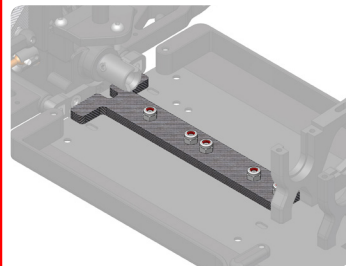
23 FRONT CHASSIS STIFFENER ASSEMBLY



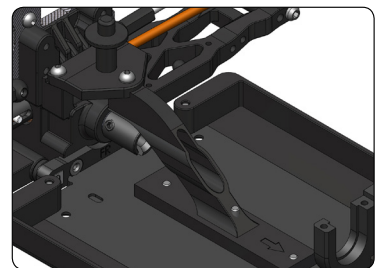
24 REAR CHASSIS STIFFENER ASSEMBLY



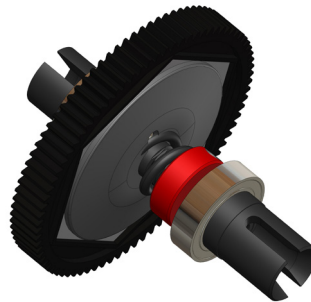
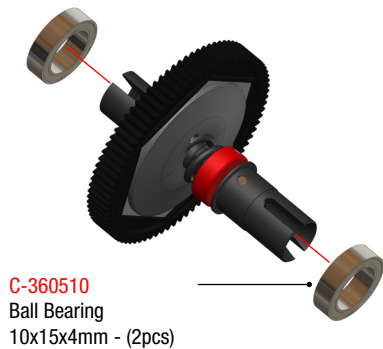
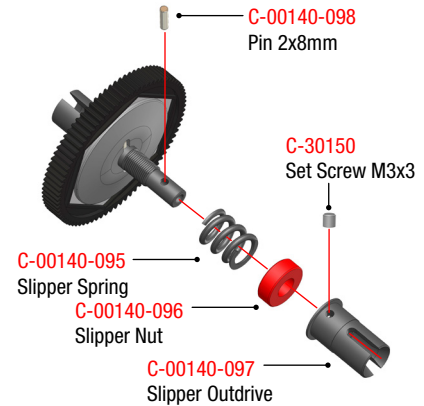
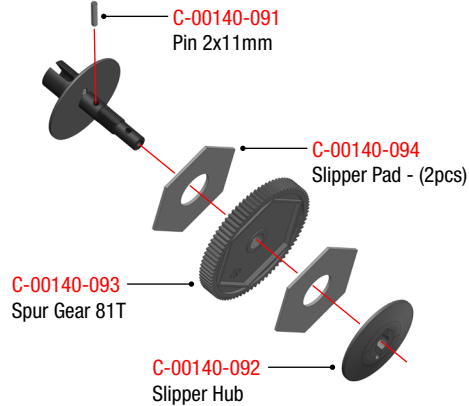
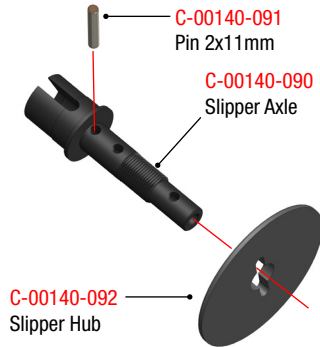
OPTION PART



C-00140-151
Chassis Stiffener - REAR - **Carbon**

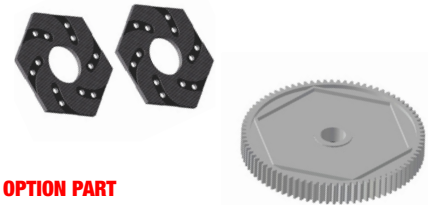


25 SLIPPER ASSEMBLY



OPTION PART

C-00140-135 Slipper Pad - **Carbon**



OPTION PART

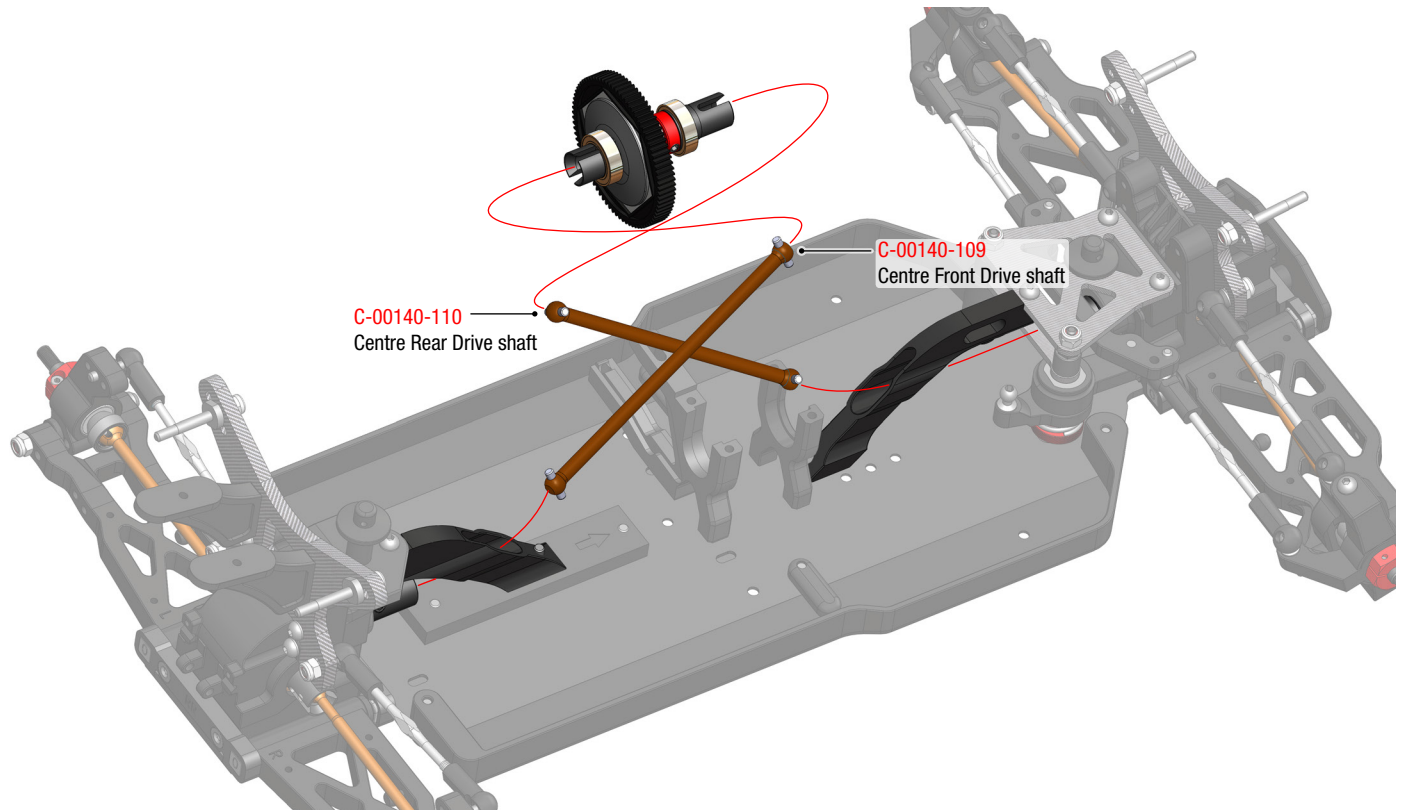
C-00140-137-78 Spur Gear 48DP - 78 Teeth - Delrin

C-00140-137-81 Spur Gear 48DP - 81 Teeth - Delrin

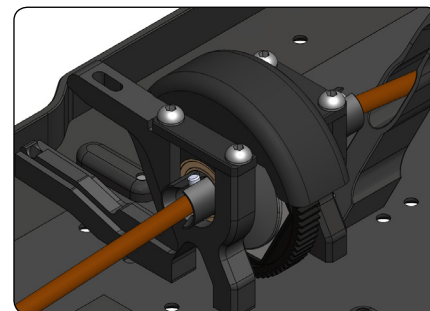
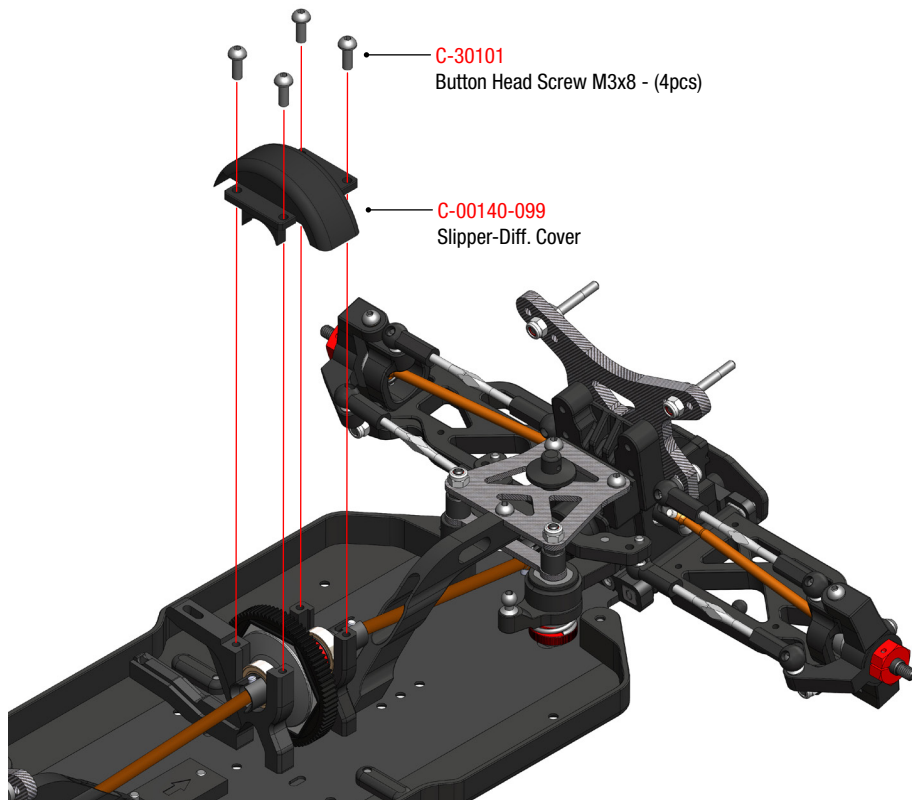
C-00140-137-84 Spur Gear 48DP - 84 Teeth - Delrin

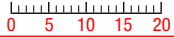


26 SLIPPER INSTALLATION

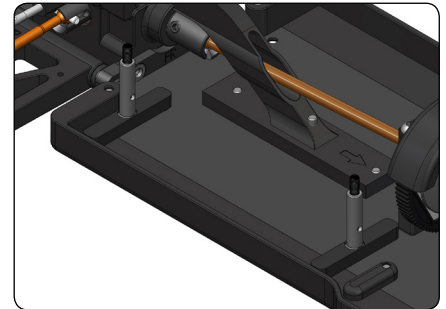
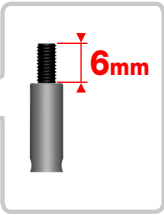
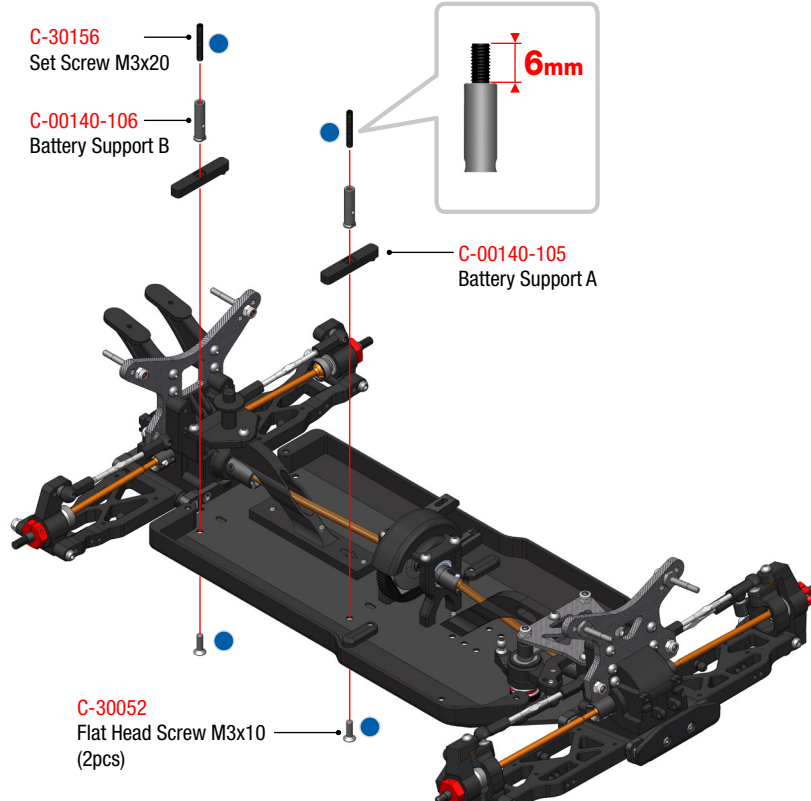


27 SLIPPER INSTALLATION

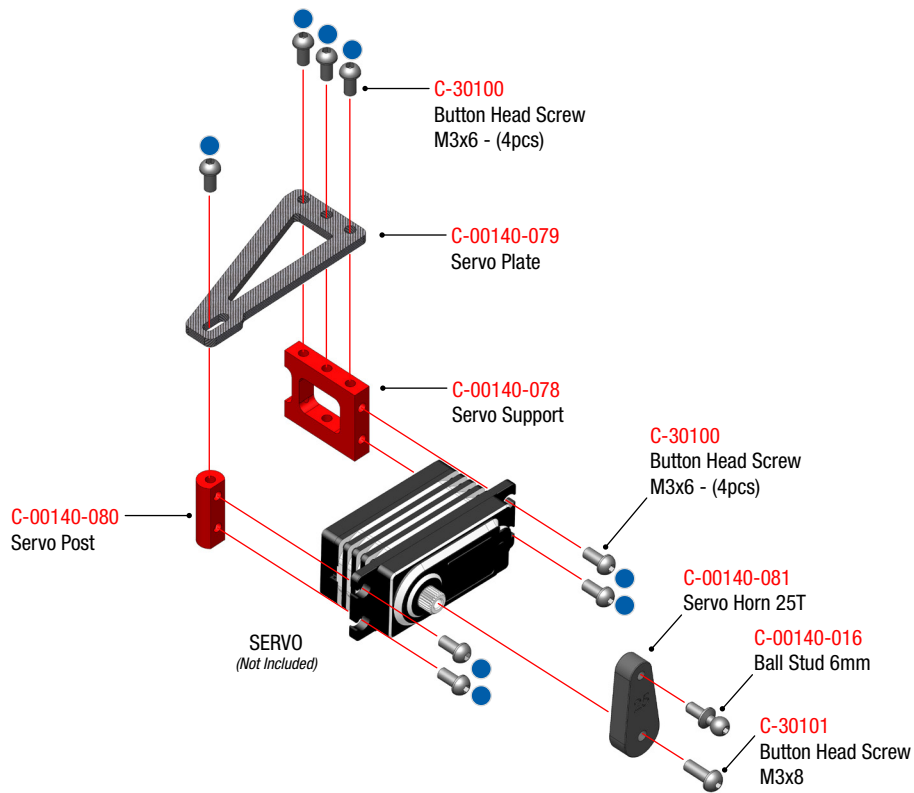




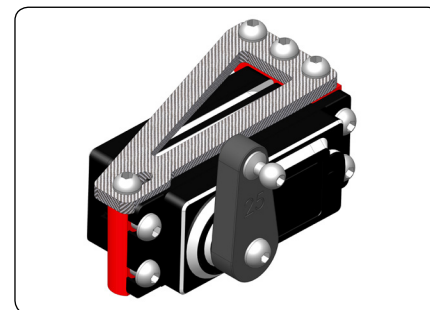
28 BATTERY POST ASSEMBLY



28 STEERING SERVO ASSEMBLY

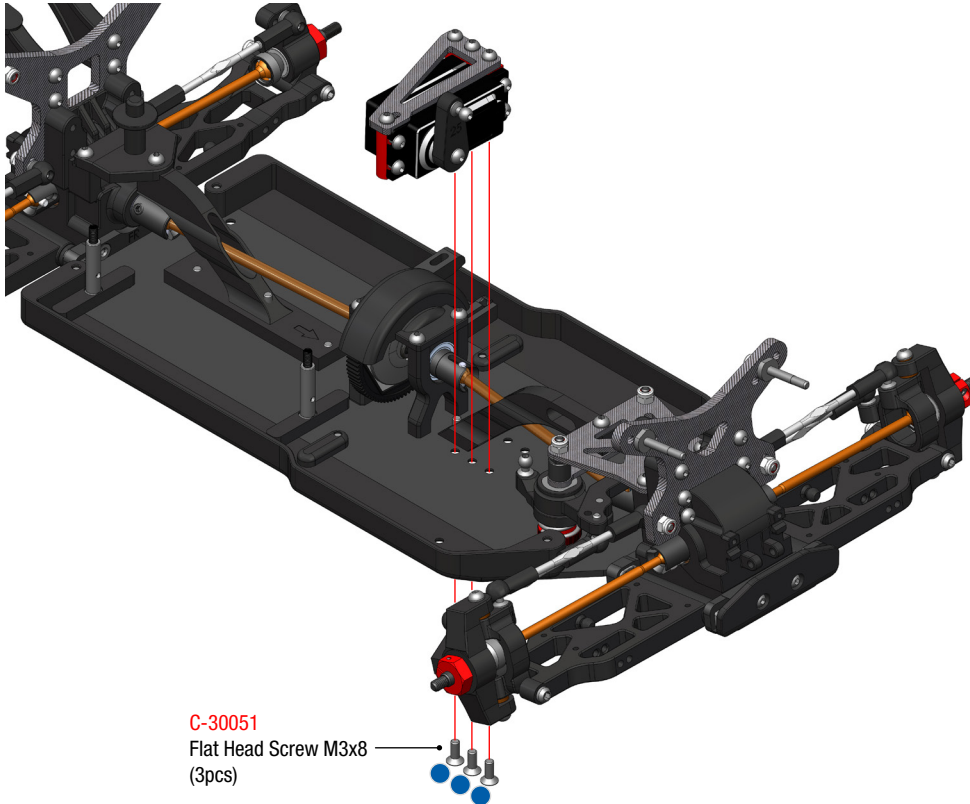


Apply CORALLY
LOCK-IT 100



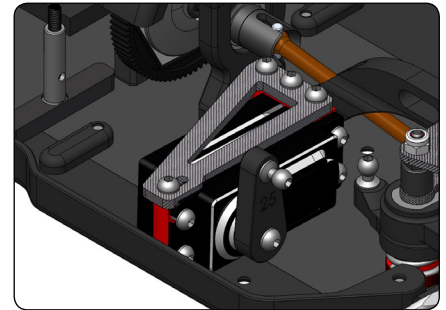


29 STEERING SERVO INSTALLATION



C-30051
Flat Head Screw M3x8
(3pcs)

Apply CORALLY
LOCK-IT 100

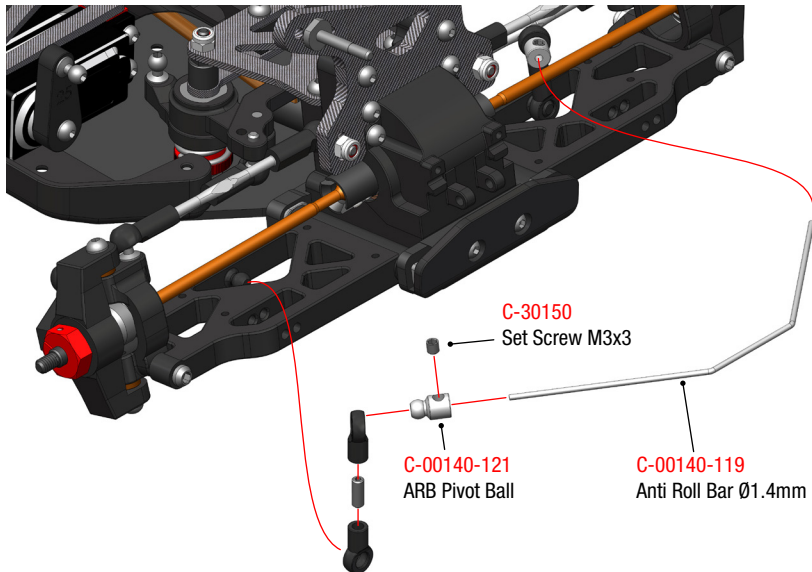


30 FRONT STABILIZER BAR ASSEMBLY



C-30152
Set Screw M3x8

C-00140-120
Ball Joint for ARB - (2pcs)



C-30150
Set Screw M3x3

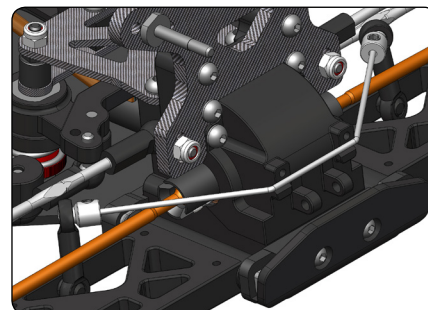
C-00140-121
ARB Pivot Ball

C-00140-119
Anti Roll Bar Ø1.4mm

OPTIONAL PARTS

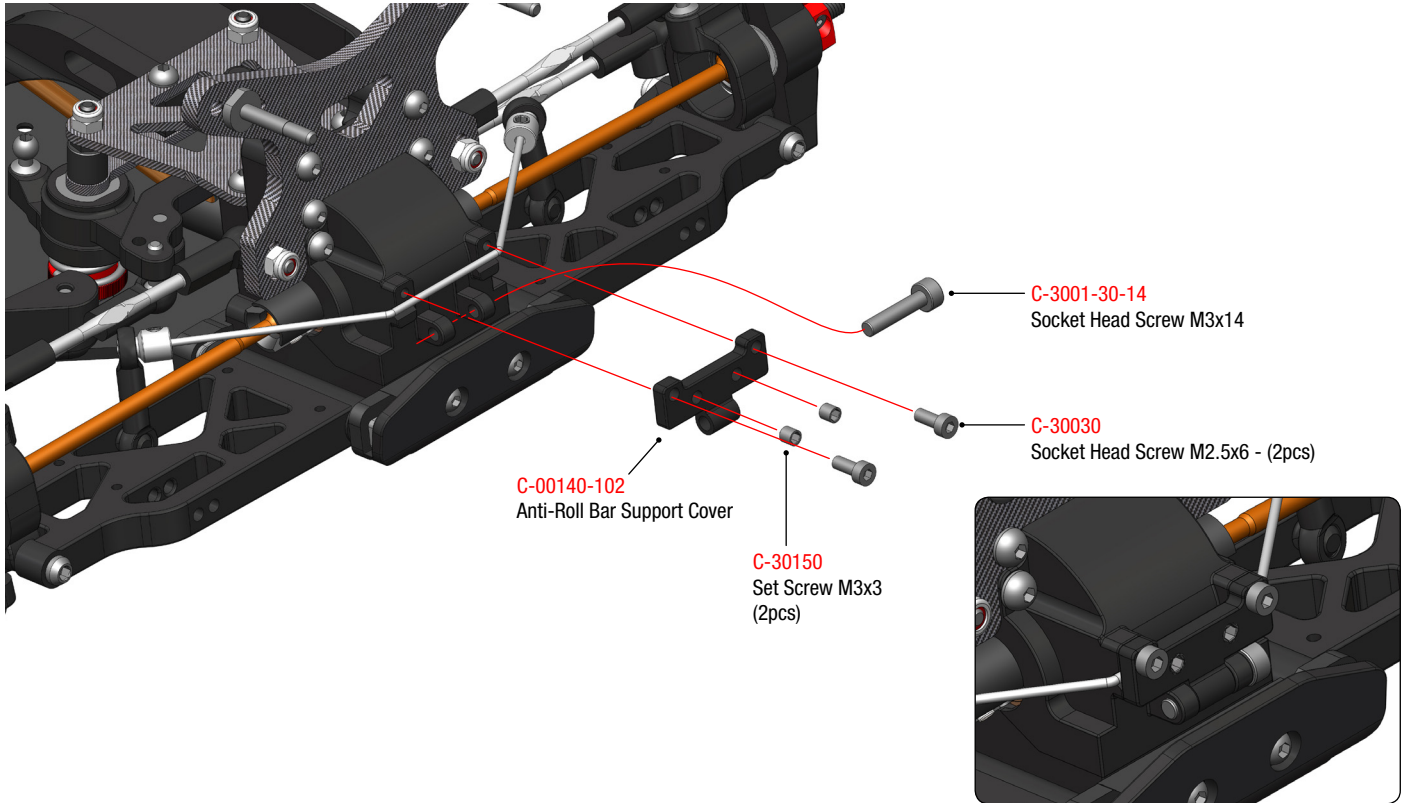


- C-00140-130 Anti Roll Bar - Ø1.0mm
- C-00140-131 Anti Roll Bar - Ø1.2mm
- C-00140-132 Anti Roll Bar - Ø1.6mm
- C-00140-133 Anti Roll Bar - Ø1.8mm
- C-00140-134 Anti Roll Bar - Ø2.0mm





31 FRONT STABILIZER BAR ASSEMBLY



32 REAR STABILIZER BAR ASSEMBLY



C-30152
Set Screw M3x8

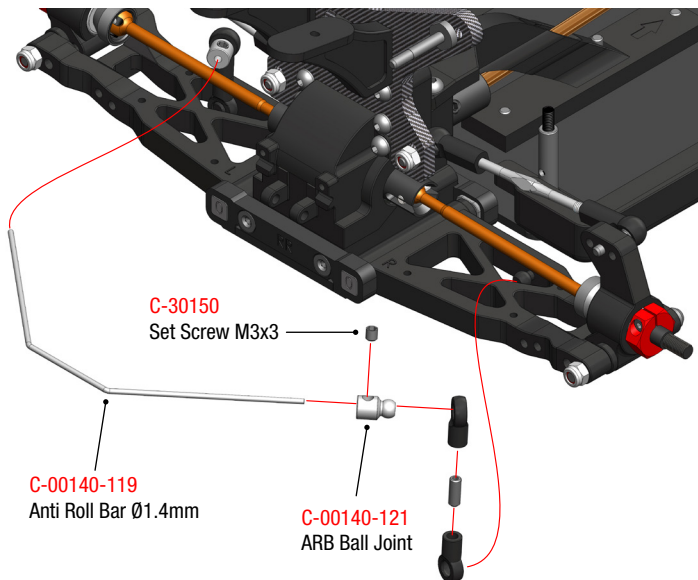
C-00140-120
Ball Joint for ARB - (2pcs)

2x

OPTIONAL PARTS



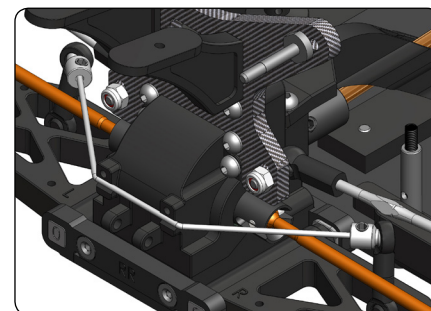
- C-00140-130 Anti Roll Bar - Ø1.0mm
- C-00140-131 Anti Roll Bar - Ø1.2mm
- C-00140-132 Anti Roll Bar - Ø1.6mm
- C-00140-133 Anti Roll Bar - Ø1.8mm
- C-00140-134 Anti Roll Bar - Ø2.0mm



C-30150
Set Screw M3x3

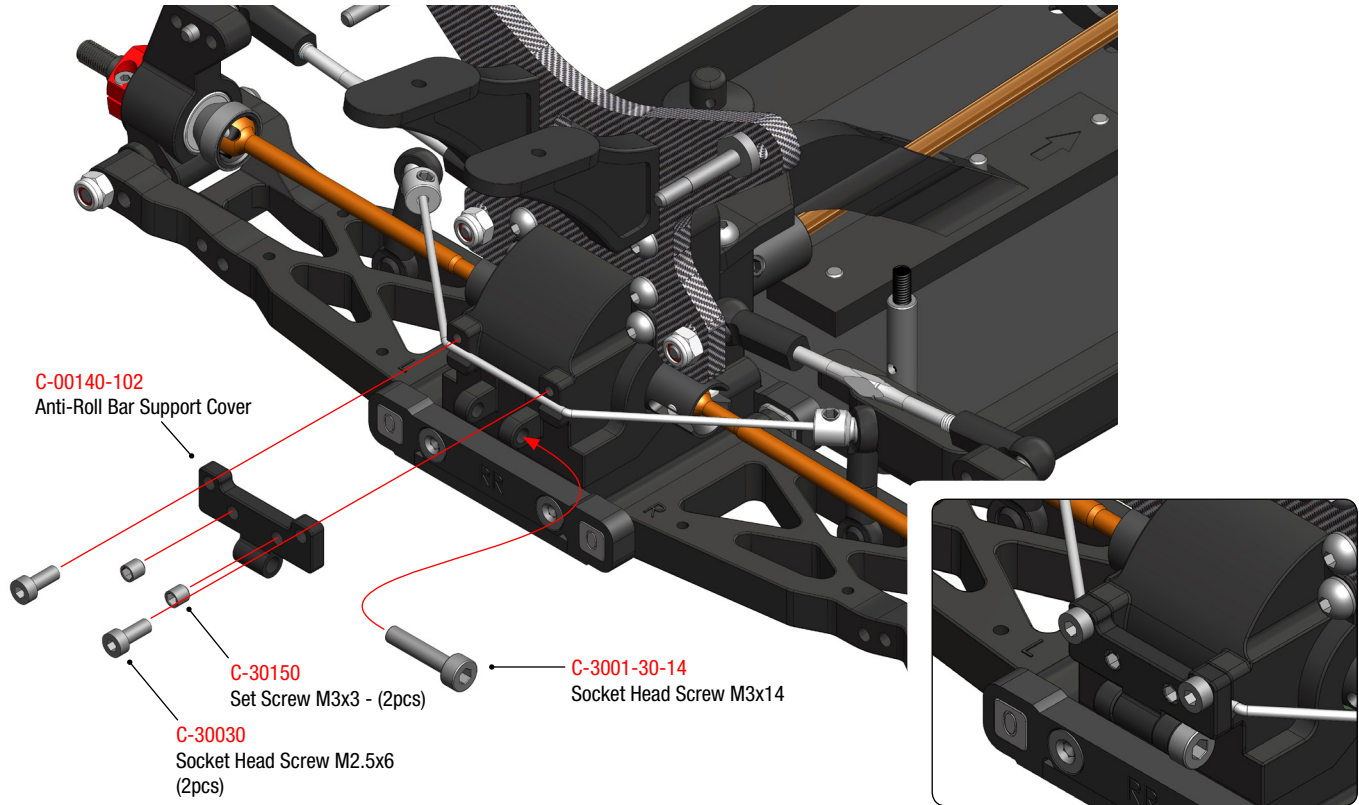
C-00140-119
Anti Roll Bar Ø1.4mm

C-00140-121
ARB Ball Joint

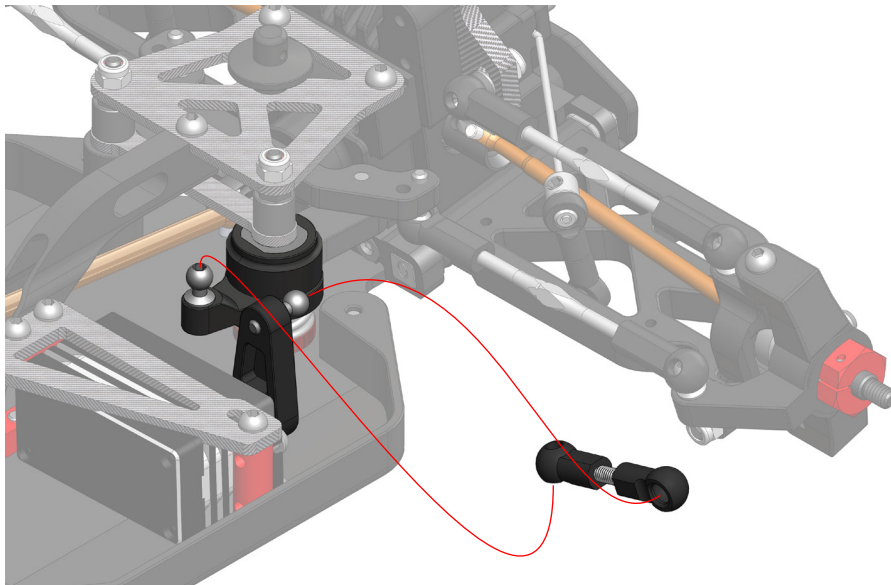
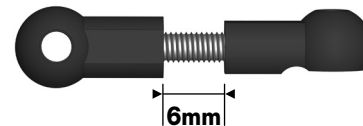
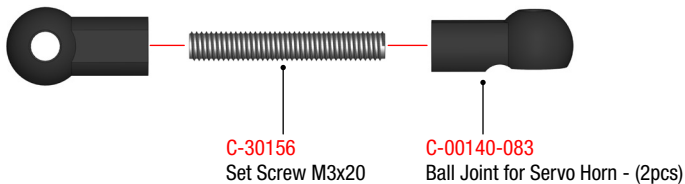





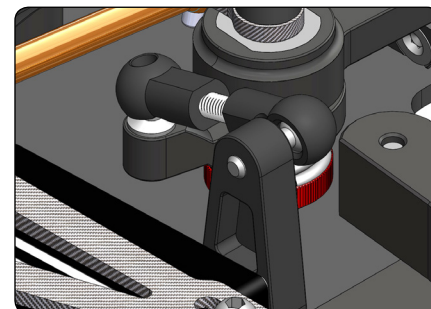
33 REAR STABILIZER BAR ASSEMBLY



34 STEERING LINKAGE ASSEMBLY

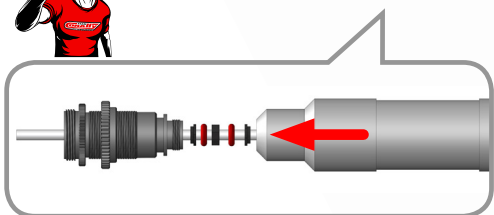
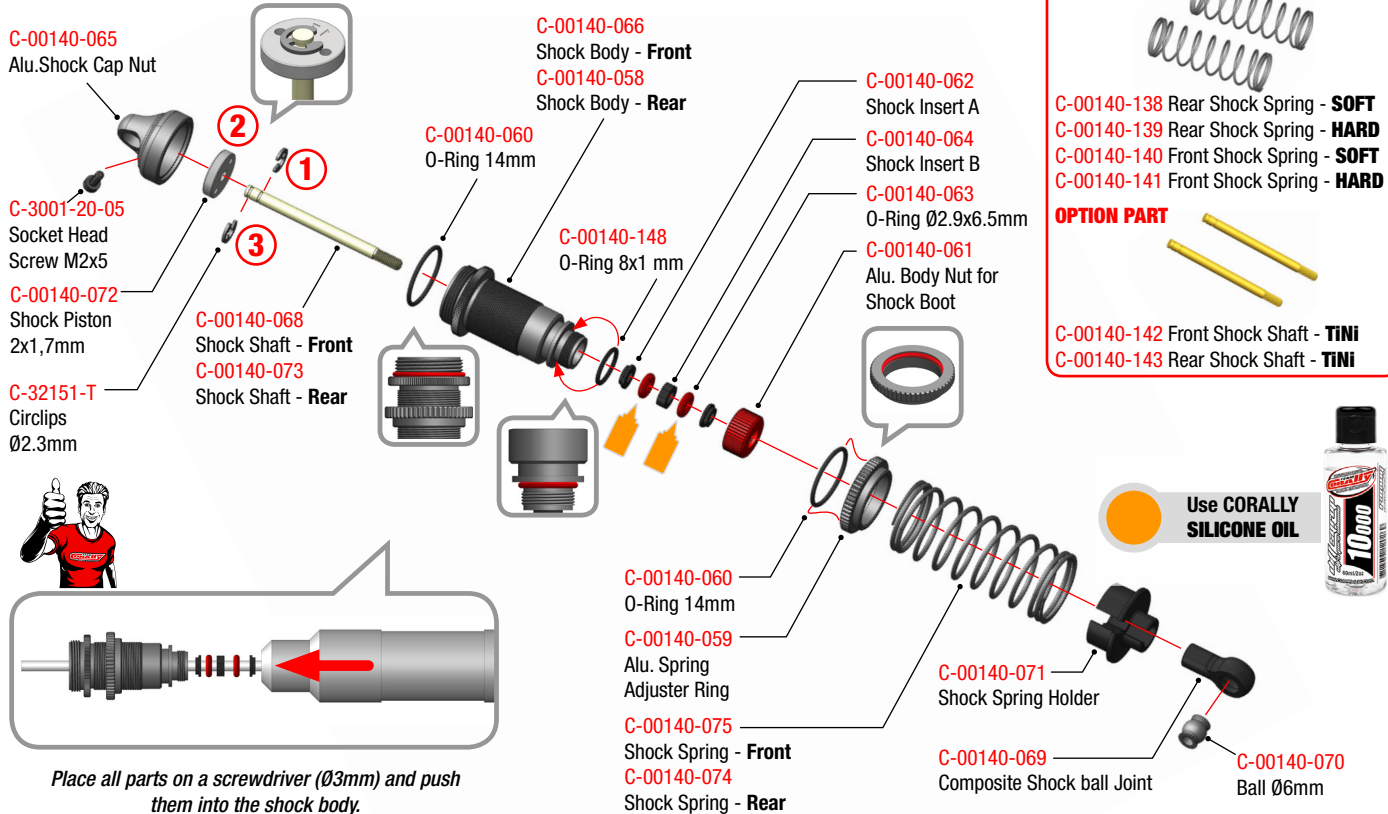



C-16300
Install the pivot ball using the Corally Professional Pliers

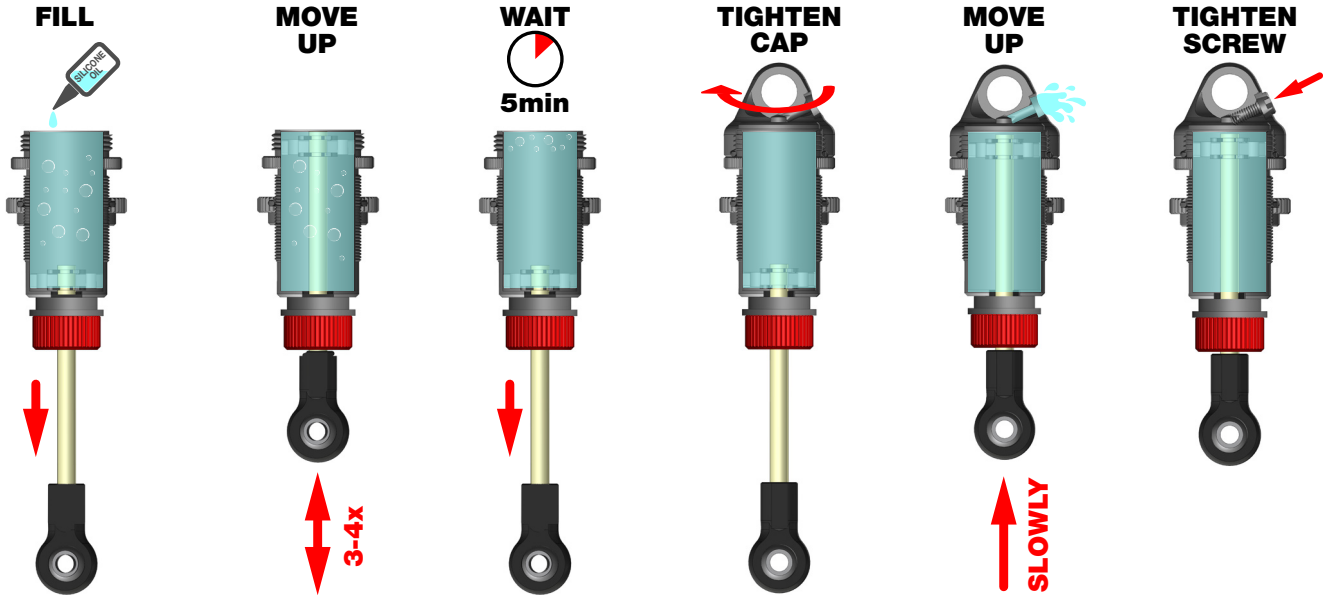


35 SHOCK ABSORBER ASSEMBLY



Place all parts on a screwdriver (Ø3mm) and push them into the shock body.

SHOCK ABSORBER FILLING



- Pull the Shock shaft down.
- Fill the shock body with silicone oil.

- Move the piston up&down (3-4x) to release the air bubbles in the silicone oil.

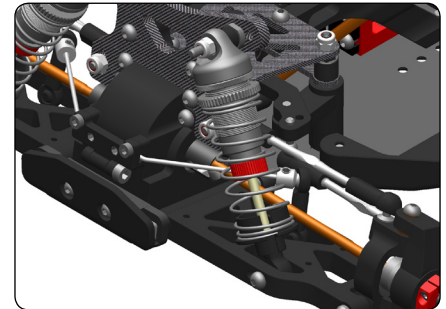
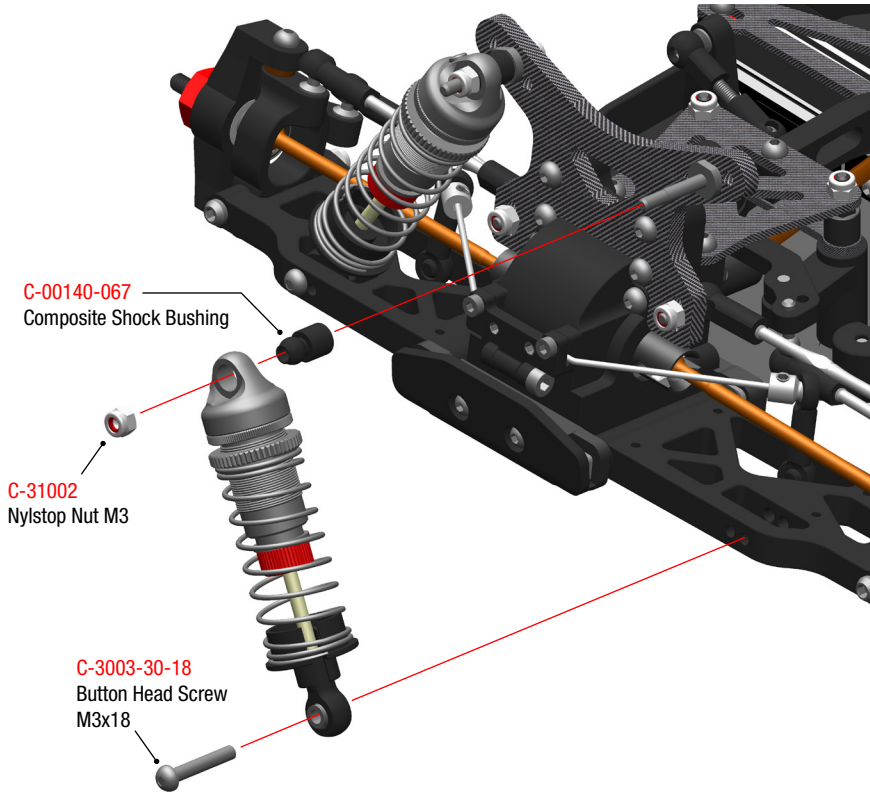
- Pull the Shock shaft down.
- Install the shock absorber vertically and let it sit for a few minutes until the bubbles rise to the surface.

- Install the silicone membrane in the shock cap.
- Tighten slightly the shock cap on the shock body.
- A little oil will flow out of the shock absorber.

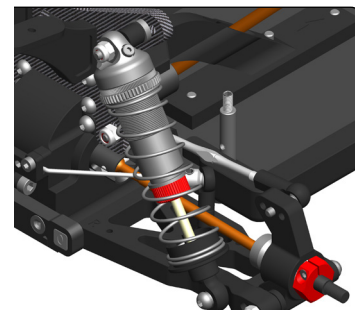
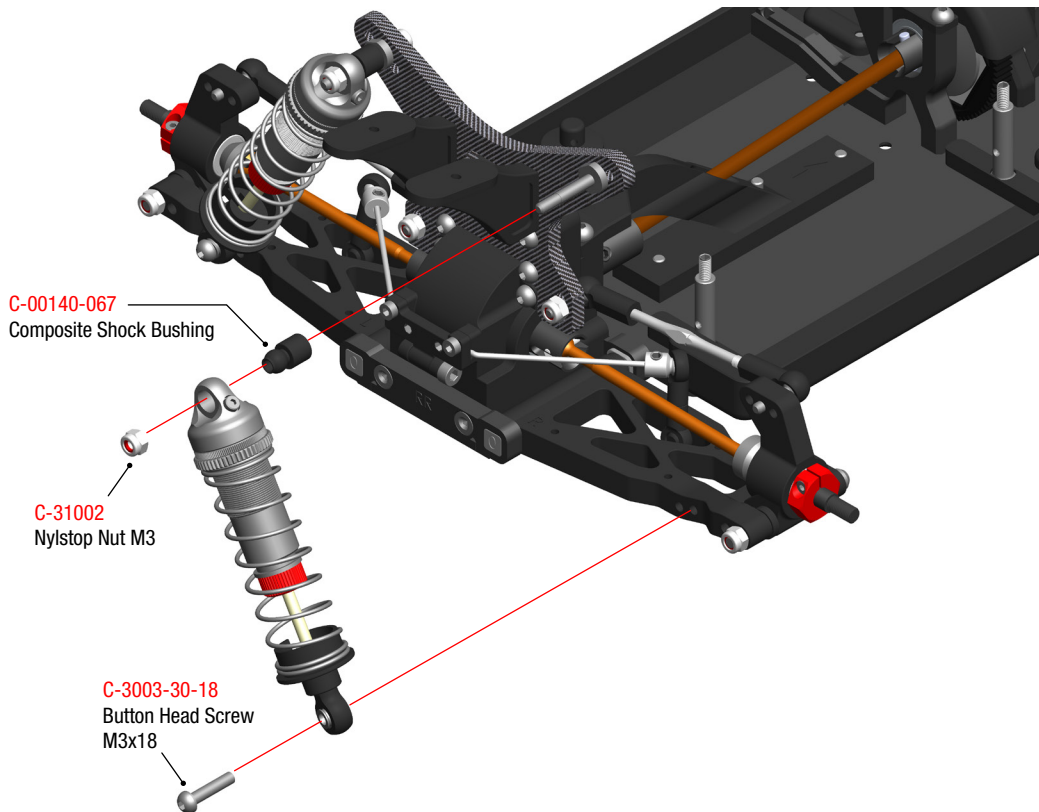
- Gently move the piston in upper position.
- The excess will flow out of the shock absorber.

- Allow the piston in the upper position.
- Tighten the cap fully but not too much otherwise the membrane will be deformed.

36 FRONT SHOCK ABSORBER INSTALLATION - L & R

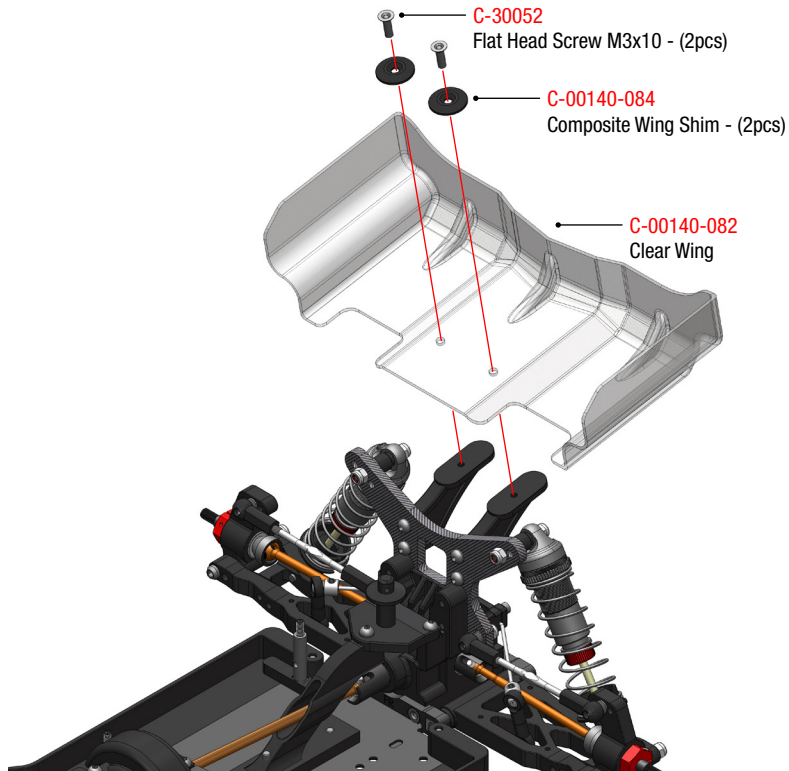


37 REAR SHOCK ABSORBER INSTALLATION - L & R

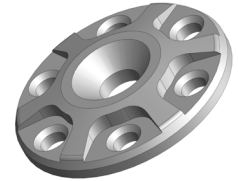




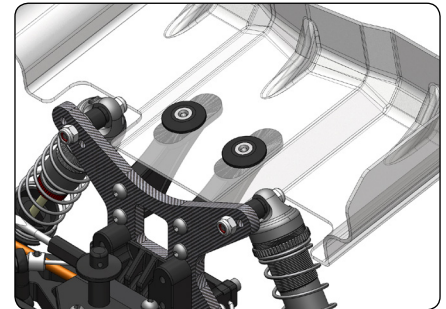
38 REAR WING INSTALLATION



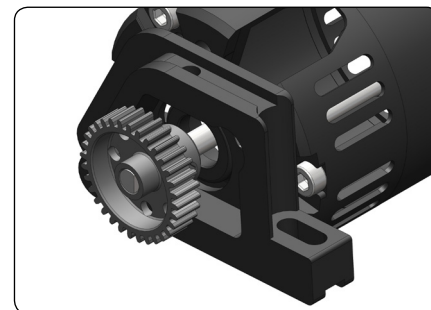
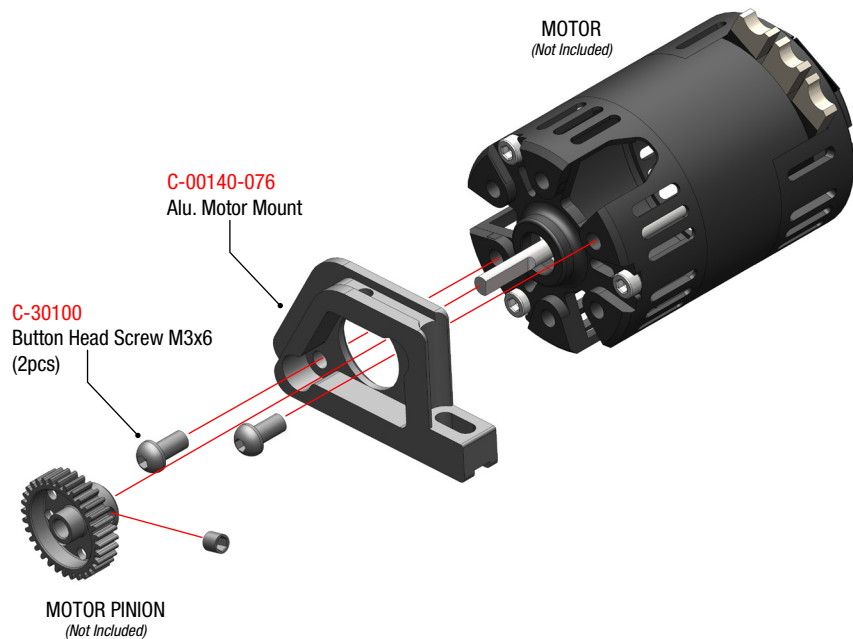
OPTION PART



C-00140-122
Wing Shim - **Aluminium**

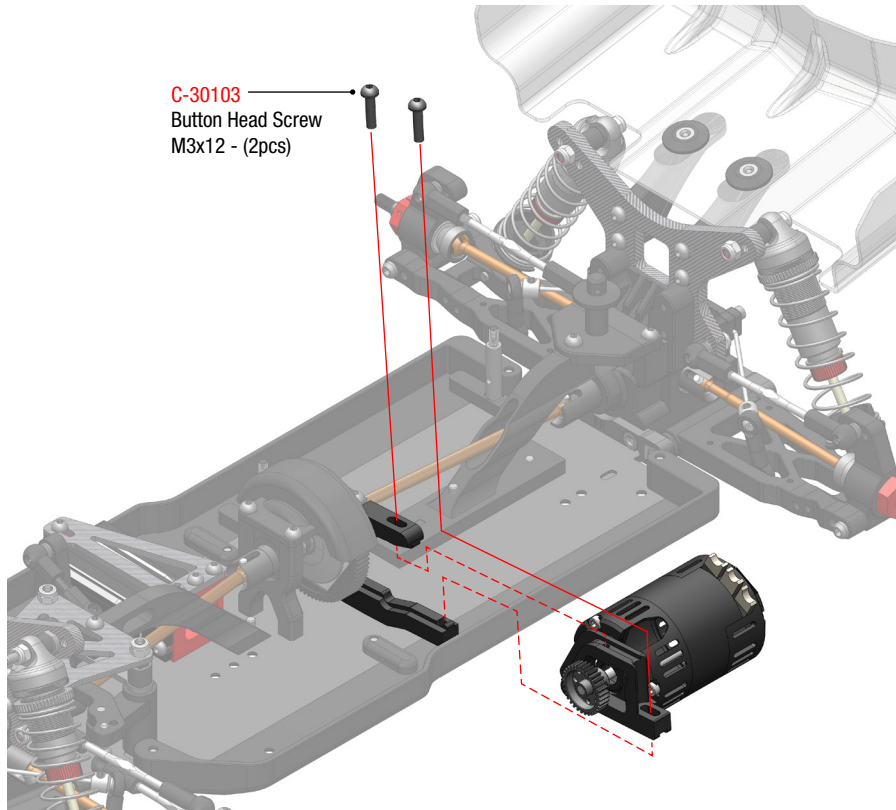


39 MOTOR INSTALLATION



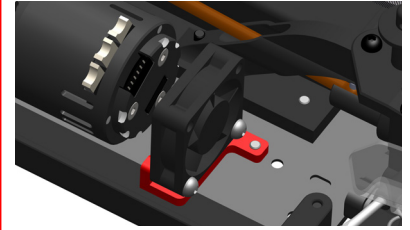


40 MOTOR INSTALLATION



C-30103
Button Head Screw
M3x12 - (2pcs)

OPTION PART

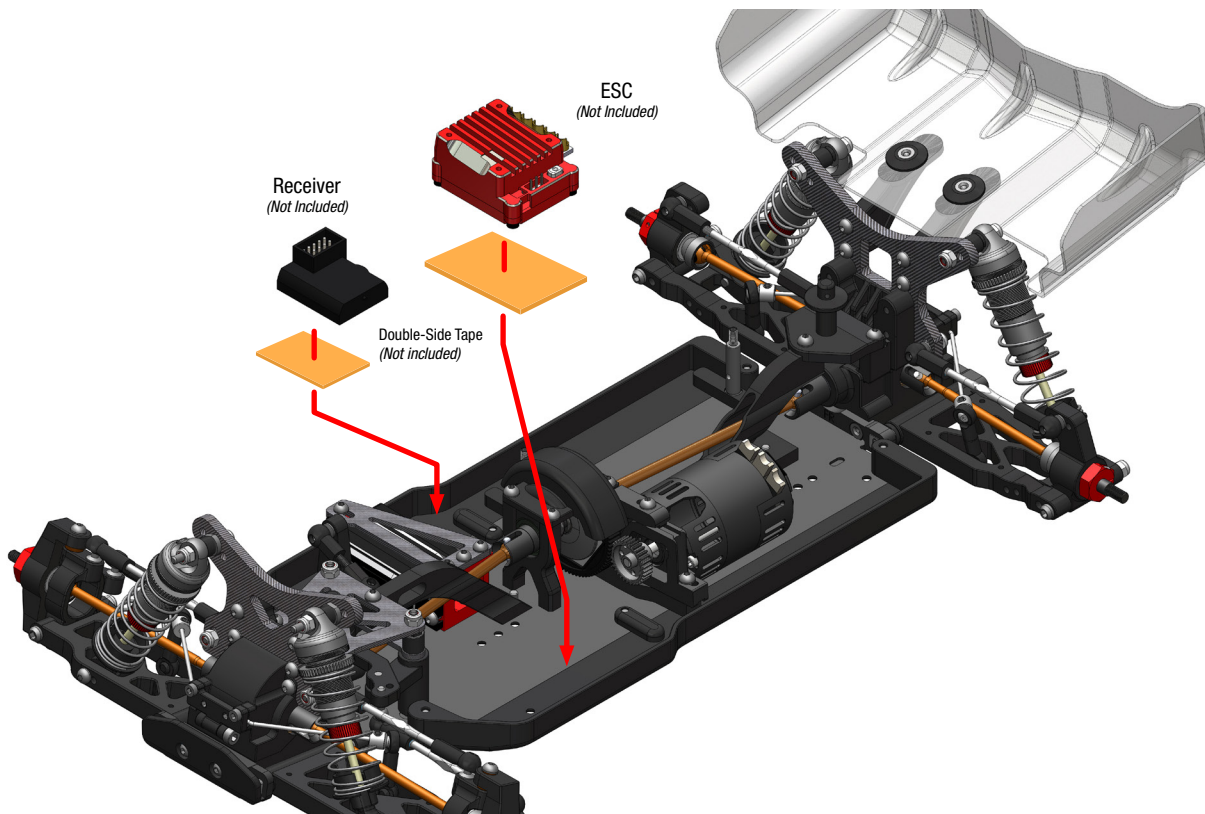


C-00140-144
Fan Mount - **Aluminium**



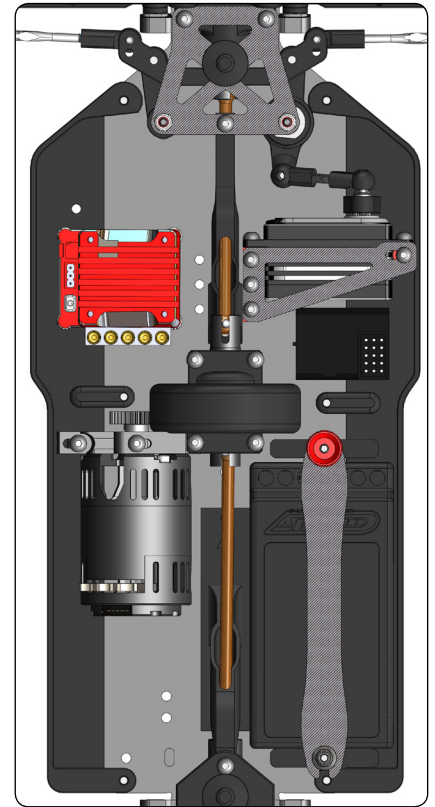
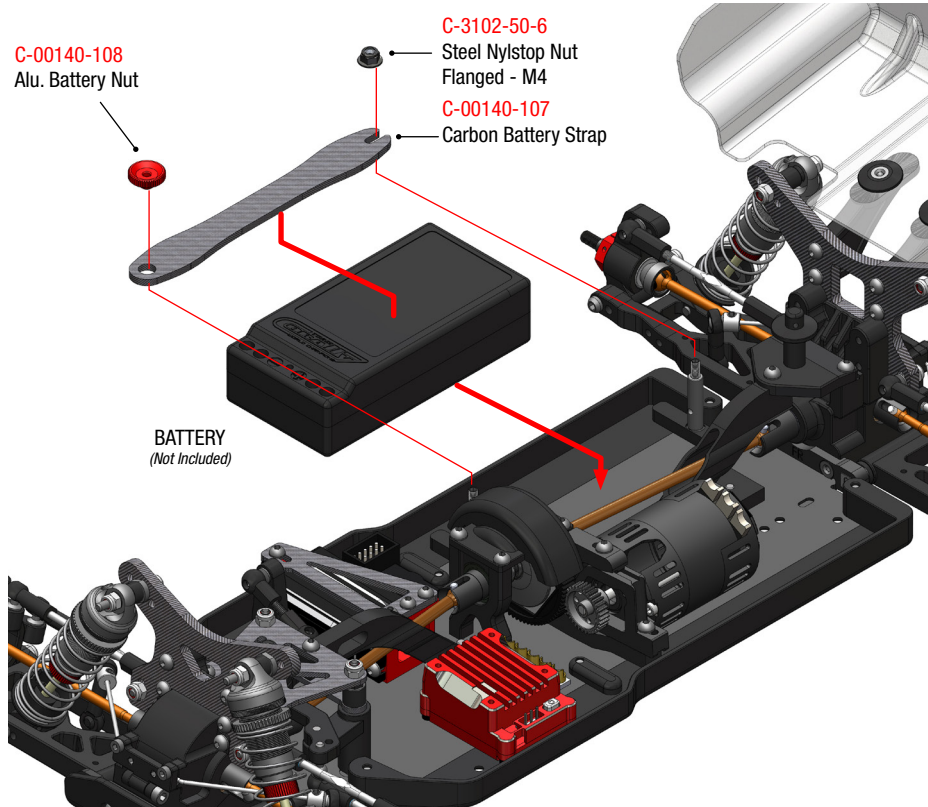
C-53102
ESC Ultra High Speed Cooling Fan 30mm -
6v-8,4V - Dual ball bearings - BEC connector

41 ELECTRONICS CONFIGURATION

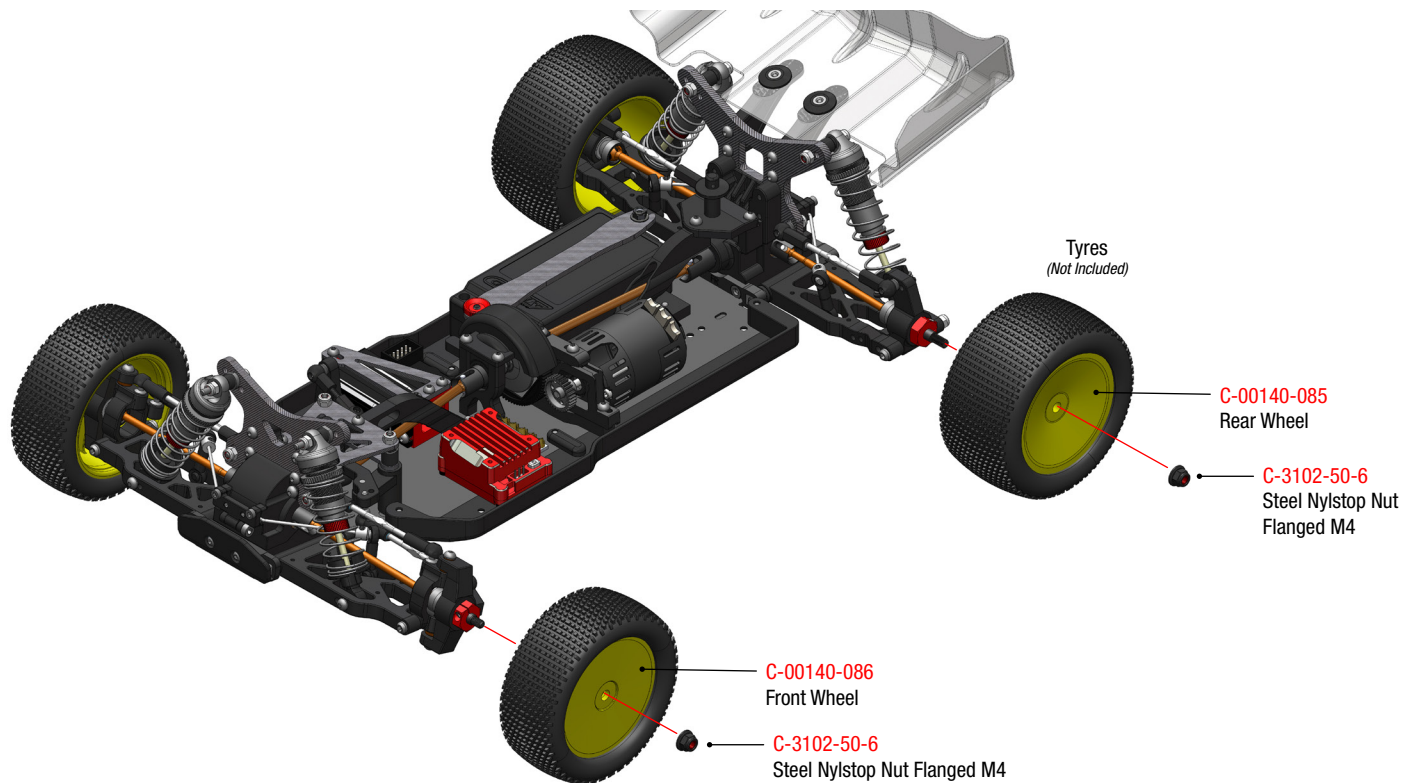




42 BATTERY INSTALLATION

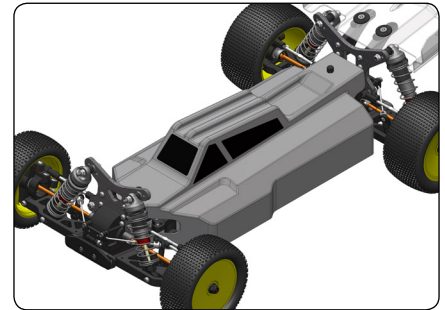
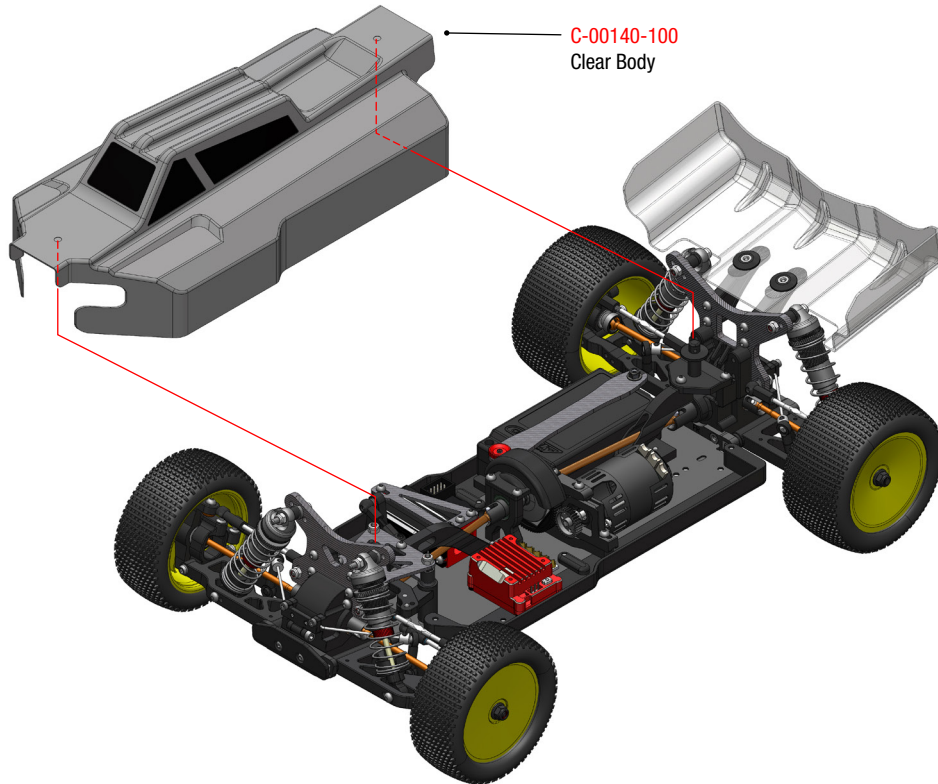


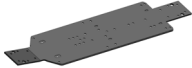
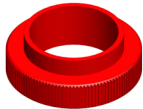

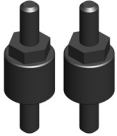
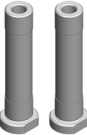
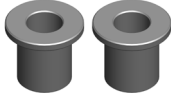





43 WHEELS INSTALLATION




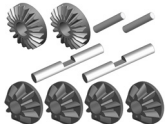



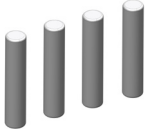

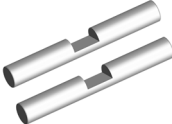






44 BODY INSTALLATION



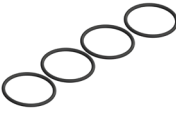





	C-00140-001	Chassis - Alu. 7075 - 1 pc		C-00140-009	Servo Saver Nut - Alu. - 1 pc
	C-00140-002	Diff Bulkhead Block - Composite 1 Set		C-00140-010	Servo Saver Sapcer Nut 2 Pcs
	C-00140-003	Servo Saver Pivot Shaft - Steel - 2 pcs		C-00140-011	Steering Plate Bushing - Steel - 2 pcs
	C-00140-004	Servo Saver - Composite - 1 set		C-00140-012	Steering Plate - Composite - 1 pc
	C-00140-007	Servo Saver Main Shaft - Alu. - 1 pc		C-00140-013	Center Outdrive Adapter - Steel - 1 pc
	C-00140-008	Servo Saver Spring - 1 pc		C-00140-014	Front Upper Steering Deck - Graphite 2mm - 1 pc










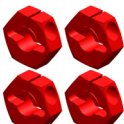

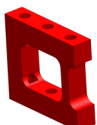
	C-00140-015	Servo Saver Stiffener - Graphite 2mm - 1 pc		C-00140-021	Shock Pivot Ball Screw - Steel - 2 pcs
	C-00140-016	Ball End Dia. 4.8mm - Thread 6mm - Steel - 4 pcs		C-00140-022	Shock Stay - Graphite 4mm - Rear - 1 pc
	C-00140-017	Body Post - Composite - Front/Rear - 1 Set		C-00140-023	Lower Suspension Arm Holder - Alu. 7075 - RF - 1 pc
	C-00140-018	Shock Stay - Graphite 4mm - Front - 1 pc		C-00140-024	Lower Suspension Arm Holder - Alu. 7075 - RR - 1 pc
	C-00140-019	Lower Suspension Arm Holder - Alu. 7075 - FR - 1 pc		C-00140-025	Wing Mount - Composite - 2 pcs
	C-00140-020	Lower Suspension Arm Holder - Alu. 7075 - FF - 1 pc		C-00140-026	Motor Bulkhead - Alu. 7075 - Part A - 1 pc

	C-00140-027	Center Bulkhead - Alu. 7075 - 1 pc		C-00140-034	Planetary Diff. Gears - Steel 1 Set
	C-00140-028	Chassis Side Guards - Composite - Left/Right - 1 Set		C-00140-035	Gear Diff. Outdrive Adapter - Steel 2 pcs
	C-00140-030	Ball End Dia. 4.8mm - Thread 8mm - Steel - 4 pcs		C-00140-036	Gear Diff. Outdrive Adapter Pin - Steel - 2x9.8mm - 4 pcs
	C-00140-031	Gear Diff Case - Composite - 1 pc		C-00140-037	Gear Diff. Pin - Alu. Hard Coated 2 pcs
	C-00140-032	O-Ring - Silicone - 5x8.5mm - 10 pcs		C-00140-039	Diff. Shim Rings - Steel - 3x9x- 0.4mm - 4 pcs
	C-00140-033	Diff. Shim Rings - Steel - 5x15x0.4mm - 4 pcs		C-00140-040	Diff. Gasket - 4 pcs


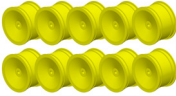




	C-00140-041	Diff. Bevel Gear 35T - Steel - 1 pc		C-00140-048	Suspension Arm - Composite - Rear - Left - 1 pc
	C-00140-042	Bevel Gear 14T - Steel - 1 pc		C-00140-049	Bumper - Composite - Front - 1 pc
	C-00140-043	Suspension Arm Holder Eccentric Bushing Composite : 0°•0,5°•1° - 1 Set		C-00140-050	C-Hub 9° Deg - Composite - Right - 1 pc
	C-00140-045	Suspension Arm Pivot Pin - Inner - Steel - 2 pcs		C-00140-051	C-Hub 9° Deg - Composite - Left - 1 pc
	C-00140-046	Suspension Arm - Composite - Front - 1 pc		C-00140-052	Suspension Arm Pivot Screw - Outer - Steel - 2 pcs
	C-00140-047	Suspension Arm - Composite - Rear - Right - 1 pc		C-00140-053	Steering Block - Composite - 1 pc

	C-00140-054	Steering Block Bushing - Steel - 2 pcs
	C-00140-055	Wheel Hub - Rear - Composite - 1 pc
	C-00140-056	Ball Joint 4.8mm - 4 pcs
	C-00140-057	Turnbuckle - 54mm - Steel - 2 pcs
	C-00140-058	Shock Body - Alu. 7075 - Rear - 2 pcs
	C-00140-059	Shock Body Spring Adj. Nut - Alu. - 2 pcs

	C-00140-060	O-ring - Rubber - 14x1mm - 4 pcs
	C-00140-061	Shock Body Cap - Lower - Alu. - 2 pcs
	C-00140-062	Shock Insert A 4 Pcs
	C-00140-063	Shock Body O-Ring - Silicone - 2.9x6.5mm - 10 pcs
	C-00140-065	Shock Body Cap - Top - Alu. - 2 pcs
	C-00140-066	Shock Body - Alu. 7075 - Front - 2 pcs





	C-00140-067	Shock Bushing - Composite - 4 pcs		C-00140-073	Shock Shaft - Rear - Steel - 2 pcs
	C-00140-068	Shock Shaft - Front - Steel - 2 pcs		C-00140-074	Shock Spring - Black - Medium - Rear - 2 pcs
	C-00140-069	Shock Ball Joint - Composite - 4 pcs		C-00140-075	Shock Spring - Black - Medium - Front - 2 pcs
	C-00140-070	Shock Pivot Ball 5.9mm - Alu. - 4 pcs		C-00140-076	Motor Mount - Alu. 7075 - Part B - 1 pc
	C-00140-071	Shock Spring Holder - Composite - 4 pcs		C-00140-077	Wheel Hex Adapter - Alu. - 4 pcs
	C-00140-072	Shock Piston - Composite - 2x 1.7mm Holes - 2 pcs		C-00140-078	Servo Mount - Alu. - 1 pc



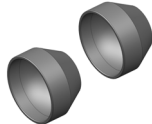


	C-00140-079	Servo Mount Deck - Graphite 2mm - 1 pc
	C-00140-080	Servo Post - Alu - 1 pc
	C-00140-081	Servo Horn - Composite - 1 pc
	C-00140-082	Wing - Clear - Polycarbonate - 1 pc
	C-00140-083	Ball Joint 4.8mm - Short - 4 pcs
	C-00140-084	Wing Washer - Composite - 2 pcs

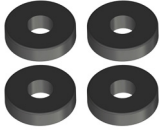




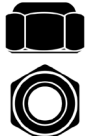
	C-00140-085	"Flextec" Rim - 2WD/4WD - Rear - Hex 12mm - 2 pcs
	C-00140-085-1	"Flextec" Rim - 2WD/4WD - Rear - Hex 12mm - 10 pcs
	C-00140-086	"Flextec" Rim - 4WD - Front - Hex 12mm - 2 pcs
	C-00140-086	"Flextec" Rim - 4WD - Front - Hex 12mm - 10 pcs
	C-00140-087	Chassis Brace - Composite - Front - 1 pc
	C-00140-088	Plate for Rear Chassis Brace - Composite - 1 pc


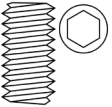
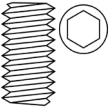
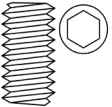
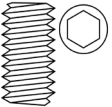
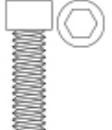
	C-00140-089	Chassis Brace - Composite - Rear - 1 pc
	C-00140-090	Slipper Clutch Shaft - Steel - 1 pc
	C-00140-091	Pin - Steel - 2x11mm - 4 pcs
	C-00140-092	Slipper Clutch Plate - Alu. - 2 pcs
	C-00140-093	Spur Gear 48DP - 81 Teeth - Composite - 1 pc
	C-00140-094	Slipper Clutch Pad - Composite - 2 pcs

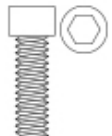
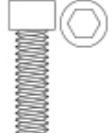
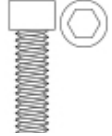
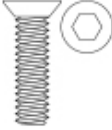
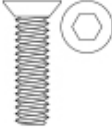
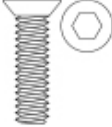
	C-00140-095	Slipper Clutch Spring - 1 pc
	C-00140-096	Slipper Clutch Nut - Alu. - 1 pc
	C-00140-097	Slipper Clutch Outdrive Adapter - Steel - 1 pc
	C-00140-098	Pin - Steel - 2x8mm - 4 pcs
	C-00140-099	Spur Gear Cover - Composite - 1 pc
	C-00140-100	Body - Clear - Polycarbonate - 1 pc

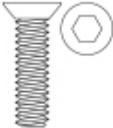
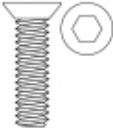
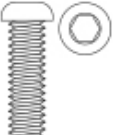
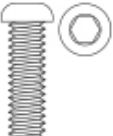
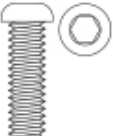
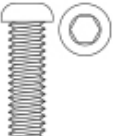
	C-00140-103	Wheel Drive Axle CVD - Front - Steel - 1 pc
	C-00140-104	Wheel Drive Axle CVD - Rear - Steel - 1 pc
	C-00140-105	Battery Lock - Composite - 2 pcs
	C-00140-106	Battery Post - Alu. - 1 pc
	C-00140-107	Battery Brace - Graphite 2mm - 1 pc
	C-00140-108	Battery Lock Nut - Alu. - 1 pc

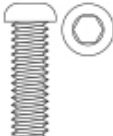
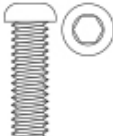

	C-00140-109	Center Drive Shaft - Front - Steel - 1 pc
	C-00140-110	Center Drive Shaft - Rear - Steel - 1 pc
	C-00140-111	Drive Shaft Safety Collar - Alu. - 2 pcs
	C-00140-112	Drive Shaft Coupling - Steel - 2 pcs
	C-00140-113	Drive Shaft for CVD - Rear - Steel - 1 pc
	C-00140-114	Drive Shaft for CVD - Front - Steel - 1 pc

	C-00140-115	Chassis Plate for Rear Chassis Brace - Composite - 1 pc			
	C-00140-117	Spacer - 3x8x2 - 4 pcs		C-3611-1-05-08-25	Ball Bearing - Abec 3 5x8x2.5 4 Pcs
	C-00140-119	Anti-Roll Bar - 1.4mm - 1 pc		C-360-510	Ball Bearing - Abec 3 5x10x4 4 Pcs
	C-00140-120	Ball Joint 4.8mm - for Anti-Roll Bar - Composite - 4 pcs		C-3611-3-05-11-40	Ball Bearing - Abec 3 5x11x4 4 Pcs
	C-00140-121	Ball End 4.8mm - for Anti Roll Bar - Alu. - 4 pcs		C-3611-3-10-15-40	Ball Bearing - Abec 3 10x15x4 4 Pcs
	C-00140-148	O-ring - Rubber - 8x1mm - 4 pcs		C-31002	Steel Nylstop Nut M3 - Black 10 Pcs


	C-3102-50-6	Steel Nylstop Nut - Flanged - M4 - Black 10 Pcs
	C-30150	Steel Set Screw M3x3
	C-30152	Steel Set Screw M3x8
	C-30156	Steel Set Screw M3x20
	C-30160	Steel Set Screw M4x4
	C-3001-20-05	Socket Head Screw DIN 912 M2 x 5 10 Pcs







	C-3001-20-06	Socket Head Screw DIN 912 M2 x 6 10 Pcs
	C-30030	Socket Head Screw DIN 912 M2.5 x 6 10 Pcs
	C-3001-30-14	Socket Head Screw DIN 912 M3 x 14 10 Pcs
	C-3002-25-08	Flat Head Screw DIN 7991 M2.5 x 8 10 Pcs
	C-30050	Flat Head Screw DIN 7991 M3 x 6 10 Pcs
	C-30051	Flat Head Screw DIN 7991 M3 x 8 10 Pcs

	C-30052	Flat Head Screw DIN 7991 M3 x 10 10 Pcs
	C-30053	Flat Head Screw DIN 7991 M3 x 12 10 Pcs
	C-30100	Button Head Screw DIN 7380 M3 x 6 10 Pcs
	C-30101	Button Head Screw DIN 7380 M3 x 8 10 Pcs
	C-30102	Button Head Screw DIN 7380 M3 x 10 10 Pcs
	C-30103	Button Head Screw DIN 7380 M3 x 12 10 Pcs




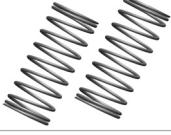
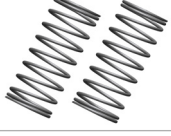

	C-3003-30-14	Button Head Screw DIN 7380 M3 x 14 10 Pcs
	C-3003-30-18	Button Head Screw DIN 7380 M3 x 18 10 Pcs
	C-32151-T	Circlips Ø2.3mm 10 Pcs




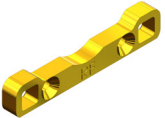

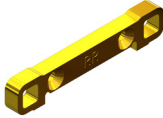

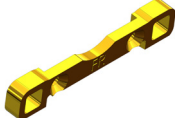
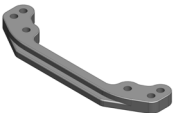
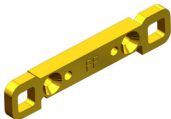


OPTION PARTS

	C-00140-122	Wing Washer - Alu. - 2 pcs
	C-00140-123	Wheel Hub - Alu - Rear - 1 pc
	C-00140-124	C-Hub 9° Deg - Alu - Right - 1 pc
	C-00140-125	C-Hub 9° Deg - Alu - Left - 1 pc
	C-00140-126	Suspension Arm Stiffener - Graphite - Rear Right - 1 pc

	C-00140-127	Suspension Arm Stiffener - Graphite - Rear Left - 1 pc
	C-00140-128	Suspension Arm Stiffener - Graphite - Front Right - 1 pc
	C-00140-129	Suspension Arm Stiffener - Graphite - Front Left - 1 pc
	C-00140-130	Anti-Roll Bar - 1.0mm - 1 pc
	C-00140-131	Anti-Roll Bar - 1.2mm - 1 pc
	C-00140-132	Anti-Roll Bar - 1.6mm - 1 pc

	C-00140-133	Anti-Roll Bar - 1.8mm - 1 pc
	C-00140-134	Anti-Roll Bar - 2.0mm - 1 pc
	C-00140-135	Slipper Clutch Pad - Graphite - 2 pcs
	C-00140-136	Chassis Stiffener - Graphite - Front - 1 pc
	C-00140-137-78	Spur Gear 48DP - Slipper - 78 Teeth - Delrin - CNC Cut - 1 pc
	C-00140-137-81	Spur Gear 48DP - Slipper - 81 Teeth - Delrin - CNC Cut - 1 pc

	C-00140-137-84	Spur Gear 48DP - Slipper - 84 Teeth - Delrin - CNC Cut - 1 pc
	C-00140-138	Shock Spring - Black - Soft - Rear - 2 pcs
	C-00140-139	Shock Spring - Black - Hard - Rear - 2 pcs
	C-00140-140	Shock Spring - Black - Soft - Front - 2 pcs
	C-00140-141	Shock Spring - Black - Hard - Front - 2 pcs
	C-00140-142	Shock Shaft - Front - TiNi - 2 pcs

	C-00140-143	Shock Shaft - Rear - TiNi - 2 pcs		C-00140-151	Chassis Stiffener - Graphite - Rear - 1 pc
	C-00140-144	Mount for 30mm Fan - Alu. - 1 pc		C-00140-152	Lower Suspension Arm Holder - Brass - Rear Front - 1 pc
	C-00140-145	Suspension Arm Pivot Pin - Inner - TiNi - 2 pcs		C-00140-153	Lower Suspension Arm Holder - Brass - Rear Rear - 1 pc
	C-00140-146	Turnbuckle - 54mm - Titanium - 2 pcs		C-00140-154	Lower Suspension Arm Holder - Brass - Front Rear - 1 pc
	C-00140-147	Steering Plate - Alu. - 1 pc		C-00140-155	Lower Suspension Arm Holder - Brass - Front Front - 1 pc
	C-00140-149	Servo Saver Arm - Alu. - Part B - 1 pc		C-00140-156-78	Spur Gear 48DP - Center Diff - 78 Teeth - Delrin - CNC Cut - 1 pc

	C-00140-156-81	Spur Gear 48DP - Center Diff - 81 Teeth - Delrin - CNC Cut - 1 pc
	C-00140-156-84	Spur Gear 48DP - Center Diff - 84 Teeth - Delrin - CNC Cut - 1 pc
	C-00140-159	Center Differential - 1 Set
	C-53102	ESC Ultra High Speed Cooling Fan 30mm - 6v-8,4V - Dual ball bearings - BEC connector



**www.corally.com**

This manual is an edition of Team Corally, Geelseweg 80, B-2250 OLEN (Belgium). This manual is protected by a copyright and nothing from this edition may be reproduced or used without any prior written authorisation. Whilst every effort has been made to ensure the accuracy of the information in this catalogue, errors do creep in and Team Corally can accept no responsibility for failures, wrong specifications, accuracy of colours, losses or damages caused. Team Corally denies any responsibility claims or damages caused by use of our products. Team Corally is not responsible for product changes or availability of our products. The products of dangerous nature included in this manual are submissive to special handling and storage specifications. Please check with your local authorities for existing legislation.



www.corally.com

Team Corally • Geelseweg 80 • 2250 Olen • Belgium
Tel: +32 14 25 92 94 • info@corally.com • www.corally.com