

RAGE RC
RESIST THE ORDINARY

MICRO WARBIRD SERIES MANUAL



P-51D MUSTANG



F4U CORSAIR



T-28 TROJAN

Safety Precautions

Age Recommendation; 14 years and up. This is not a toy.

As the owner of this airplane, you are responsible to make sure that injury to others or damage to property is avoided.

Make sure that you are familiar with the entire instruction manual before operation.

Battery Warnings

Important Notice: Mishandling of LiPo batteries can result in fire, personal injury and/or property damage!

- Ensure that batteries are properly charged before flying.
- If at any time that battery begins to balloon or swell, discontinue use immediately.
- Always store batteries at room temperature in a dry environment.
- Do not store or transport your LiPo batteries in direct sunlight or in a hot vehicle.
- Make sure to inspect all batteries before charging and do not charge damaged batteries.
- Always disconnect the battery after charging and allow the charger to cool before the next charge.
- Never leave charging batteries unattended.
- Never charge batteries in extremely hot or cold temperatures or in direct sunlight.

Box Contents

Photo shown as an example for all 3 Warbird series airplanes

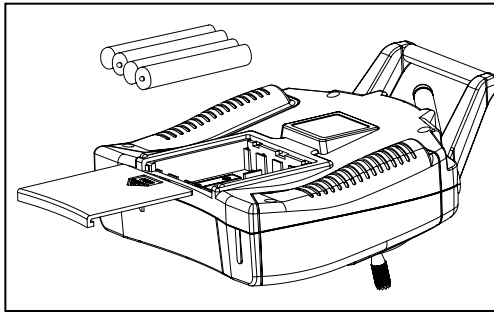


Charging Instructions

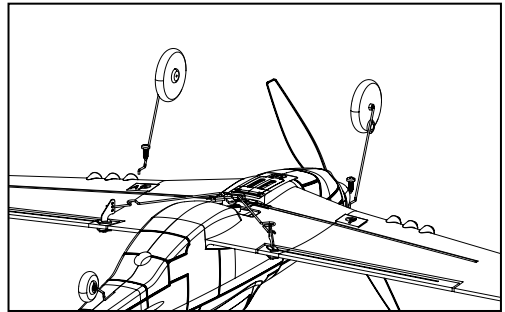


1. Unplug the battery from your plane.
2. Plug the charger into the USB port on your computer or USB adapter.
3. Connect battery to the charger.
4. The charging process will take up to 3 hours. As a safety precaution, never charge the battery for longer than 4 hours. While charging, the red LED indicator will light. When charging is complete, the LED will turn off.

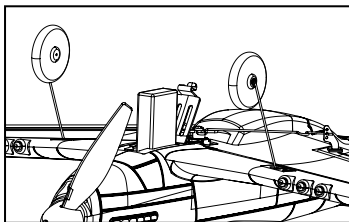
Setup Instructions



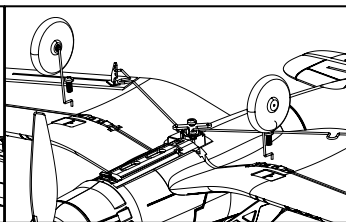
1. Install 4 AA batteries (not included) in the transmitter.



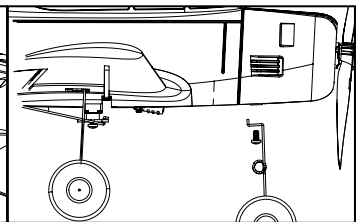
2. Plug the landing gear into the wings as shown above, and secure with the included screws and screwdriver.



P-51 Mustang



F4U Corsair



T-28 Trojan

NOTE: Make sure the landing gear wires are installed in the correct direction as shown in the above images.

3. Connect the battery to the receiver and insert the battery into the battery box. Then, place the battery wires inside and close the battery box door.
4. Setup is done. **Make sure you read and follow all instructions in this manual before you start flying the airplane.**

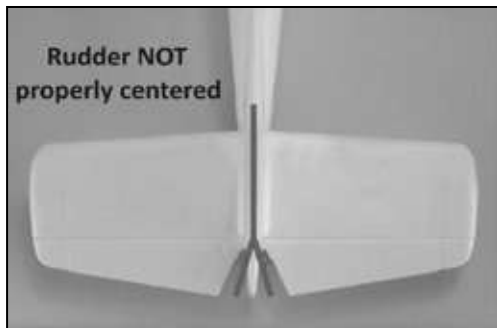
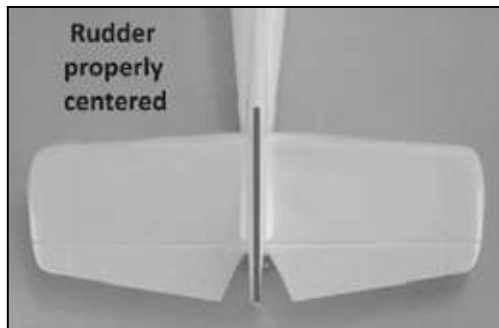
Transmitter Layout



Centering Control Surfaces

NOTE: Turn the PASS switch off (expert mode) before you complete the steps below. See more information in "PASS System" section.

With the transmitter turned on and the battery connected to the ESC (and installed in the battery compartment), it is now possible to check the center of all control surfaces.

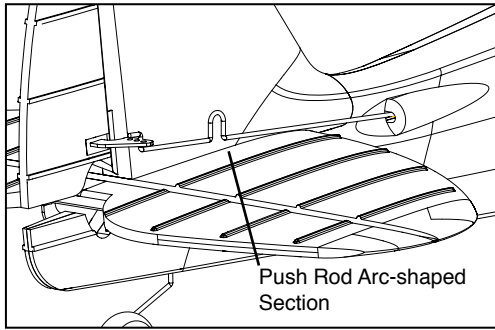


Check that the rudder is properly centered as shown above.

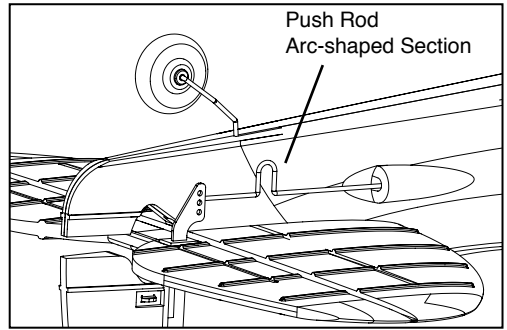


Then check that the elevator is properly centered as shown above.

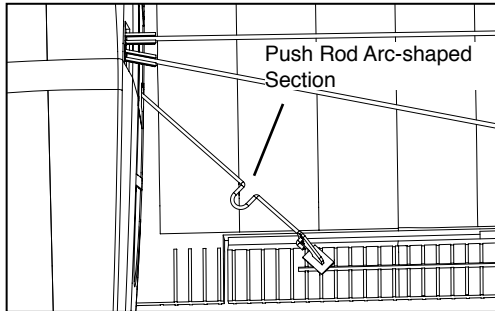
Center Control Surfaces (cont.)



If the rudder is not properly centered, adjust the push rod length by bending the arc-shaped section slightly with needle nose pliers until the rudder is centered.



If the elevator is not properly centered, adjust the push rod length by bending the arc-shaped section slightly with needle nose pliers until the elevator is centered.



If the aileron is not properly centered, adjust the push rod length by bending the arc-shaped section slightly with needle nose pliers until the aileron is centered.

Please Note: It is unlikely that you will need to make these adjustments to your new model.

PASS System Control

- 0 - Away From You - Manual / PASS Off (EXPERT)
- 1 - In the Middle - Partial Assit (MID)
- 2 - Towards You - Full Assit (BEGINNER)



The PASS System comes pre-installed in the airplane to help make flying a smoother experience. In either assist mode, the PASS System greatly reduces the stress of the pilot and makes the plane easier and more fun to fly.

The PASS System has 3 levels of control.

Full Assist (switch toward pilot) In this position the bank and dive angles of the airplane are greatly restricted and the plane will return to level flight when the sticks are released.

Partial Assist (switch in middle) In this position the bank and dive angles can increase and the plane still returns to level flight when the sticks are released.

No Assist (switch away from pilot) In this position the stability system is inactive. This is the expert setting and allows for unaided control. If orientation or control is lost, simply switch to one of the other assist modes to regain control.

Digital Trim

Digital trims allow you to adjust the center position of aileron, rudder, or elevator. Each time the trim button is pressed, the servo output will change one angle. If the trim button is held, the output will scroll in that direction until the trim button is released or the output reaches its end. When you hear a short "beep" sound, the trim is centered.



Checking Control Movement

Transmitter Operator	Reaction
<p>Elevator Stick</p>	
<p>Rudder Stick</p>	
<p>Aileron Stick</p>	

With the aircraft power on and the PASS system in Expert, check the elevator, rudder and aileron response as shown above.

Swing The Plane	PASS Reaction
	<p>Pitch Reaction</p>
	<p>Yaw Reaction</p>
	<p>Roll Reaction</p>

With the aircraft power on and the PASS system in Partial or Full Assist, check the elevator, rudder and aileron response as shown above.

Arming the Motor

To prevent damage to the aircraft and surroundings, the throttle channel is locked each time the transmitter is turned on. Follow the instructions below to unlock the throttle and arm the motor.

CAUTION: Keep your fingers and other foreign objects away from the prop while arming the motor. Raise the throttle stick up to max position until you hear a "beep" sound. Then pull the throttle stick down to min position until you hear a second "beep" sound. The motor is now armed. When the throttle stick is raised again the motor will start.

Stunt Function Button

The stunt button allows the pilot to perform a roll or loop automatically when flying in either PASS assist mode. As shown in the below diagrams, while flying in either mode, press the one-key stunt button on the left shoulder of the transmitter and you will hear several beeps. While the transmitter is beeping, simply move the aileron stick to either direction for auto-roll or move the elevator stick to up elevator (stick down) to perform a loop.



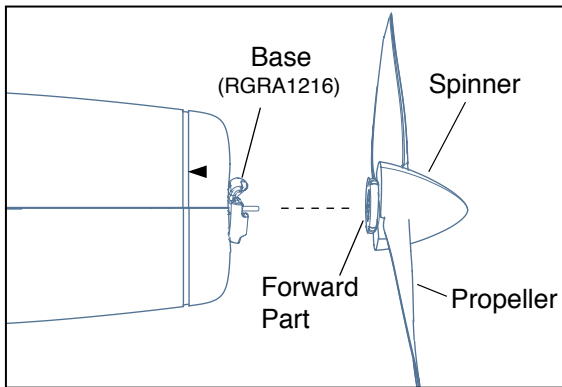
Pass System Calibration

1. Make sure the airplane is set in level flying position.
2. Turn the throttle stick to min (low) position.
3. Turn on the transmitter and plug in the battery to power on the airplane
4. Do NOT unlock the throttle at this point.
5. Hold the sticks as shown for several seconds.
6. When you hear a "beep" sound, it means the PASS system is calibrated based on the position of the airplane.



NOTE: This process is only required if the model is not performing properly when in PASS mode. Perform this with the airplane held in a level flying position.

Prop Saver Instructions

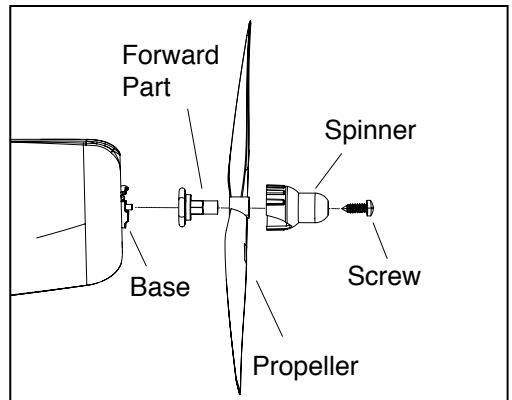
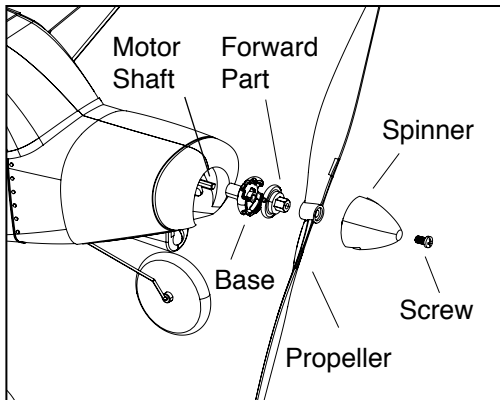


Each Prop/Spinner set includes the propeller, spinner and forward part.

See page 10 for specific part numbers for each airplane.

The prop saver keeps the propeller and prop shaft from damage, along with preventing the electronic components from over current. When the airplane hits any obstacle, the prop will pop loose and fall from the base. To reinstall the prop, center the forward part (see diagram) on the motor shaft, and press until you hear a "click" that indicates that the prop has been reinstalled.

Propeller Replacement



Follow these steps to replace a broken propeller and/or shaft adaptor. You will need a Phillips screwdriver and needle nose pliers (not included).

1. Remove screw with a Phillips screwdriver and remove the spinner and propeller.
2. Remove shaft adaptor (labeled base on the diagram). If it's too tight, use pliers to help.
3. Replace any broken parts.
4. Reinstall all parts by reversing the installation steps to complete the replacement.

Flight Checklist

IMPORTANT NOTE: Although this section can be used as a quick start guide, we strongly suggest that you read the entire manual before proceeding. This checklist is NOT intended to replace the content included in this instruction manual.

- Always turn the transmitter on first.
- Ensure the throttle control stick is at bottom position before connecting the battery.
- Fly the model (hand-launch or take off from a flat/level surface).
- Land the model (on a flat/level surface).
- Unplug the battery from ESC.
- Always turn off the transmitter last.

Binding Instructions

Binding is the process of programming the receiver to recognize the GUID (Globally Unique Identifier) code of a single specific transmitter. When a receiver is bound to a transmitter, the receiver will only respond to that specific transmitter.

If you need to rebind for any reason, please follow the steps below.

1. Keep the transmitter switched OFF with the throttle stick at bottom position.

NOTICE: Keep PASS switch at Partial or Full assist position.

NOTICE: Make sure you keep the plane still in a calm, stable position when initializing the PASS system.

2. Connect the battery to the plane, then turn on the transmitter within 5 seconds.
3. The receiver LED will flash for 3 to 8 seconds before binding automatically.
4. After the receiver LED stops flashing, the binding process is complete and you are ready to fly.

CAUTION: Remember to use caution when flying near people and property!

Replacement Parts

Micro P-51D Mustang

Item Number

RGRA1300
RGRA1310
RGRA1311
RGRA1312
RGRA1313
RGRA1315

Description

Micro P-51D RTF
Fuselage; P-51
Main Wing and Tail; P-51
Pushrod Set; P-51
Prop/Spinner Set; P-51
Front Landing Gear; P-51, F4U

Micro F4U Corsair

Item Number

RGRA1301
RGRA1315
RGRA1320
RGRA1321
RGRA1322
RGRA1323

Description

Micro F4U Corsair RTF
Front Landing Gear; P-51, F4U
Fuselage; F4U
Main Wing and Tail; F4U
Pushrod Set; F4U
Prop/Spinner Set; F4U, T-28

Micro T-28 Trojan

Item Number

RGRA1302
RGRA1323
RGRA1324
RGRA1325
RGRA1326
RGRA1327

Description

Micro T-28 Trojan RTF
Prop/Spinner Set; F4U, T-28
Fuselage; T-28
Main Wing and Tail; T-28
Pushrod Set; T-28
Landing Gear Set; T-28

Common Parts

Item Number

RGRA1314
RGRA1316
RGRA1317
RGRA1318
RGRA1319
RGRA1328
RGRA1186
RGRA1190
RGRA1216

Description

Gear Box; P-51, F4U, T-28
10mm Coreless Motor; P-51, F4U, T-28
5-Channel 2.4 Transmitter; P-51, F4U, T-28
5-in-1 Control Board; P-51, F4U, T-28
2g Servo; P-51, F4U, T-28
3.7V 400mAh 25C LiPo Battery; P-51, F4U, T-28
Servo Arms (Set of 4); P-51, F4U, T-28
1S USB Charger; P-51, F4U, T-28
Base for Prop/Spinner Assembly; P-51, F4U, T-28

LIMITED WARRANTY

Warranty Period: Rage R/C warrants that the Warbird Series ("Product") will be free from original factory defects in materials and workmanship upon purchase ("Warranty Period"). What is Not Covered - This warranty is not transferable and does not cover (a) cosmetic damage, (b) damage due to acts of God, accident, misuse, abuse, negligence, commercial use, or due to improper use, installation, operation or maintenance, (c) modification to any part of the Product, (d) attempted service by anyone other than a Rage R/C authorized service center, or (e) Product not purchased from an authorized Rage R/C dealer.

OTHER THAN THE EXPRESS WARRANTY ABOVE, RAGE R/C MAKES NO OTHER WARRANTY OR REPRESENTATION, AND THEREFORE DISCLAIMS ANY AND ALL IMPLIED WARRANTIES, INCLUDING, WITHOUT LIMITATION, THE IMPLIED WARRANTIES OF NON-INFRINGEMENT, MERCHANTABILITY AND SUITABILITY FOR A PARTICULAR PURPOSE. THE PURCHASER ACKNOWLEDGES THAT THEY ALONE HAVE DETERMINED THAT THE PRODUCT WILL MEET THE REQUIREMENTS OF THEIR INTENDED USE.

Purchaser's Remedy - Rage R/C's sole obligation and purchaser's sole and exclusive remedy shall be that Rage R/C will, at its option, either (a) service, or (b) replace, any Product determined by Rage R/C to be defective. Rage R/C reserves the right to inspect any and all Product(s) involved in a warranty claim. Service or replacement decisions are at the sole discretion of Rage R/C. Proof of purchase is required for all warranty claims. SERVICE OR REPLACEMENT AS PROVIDED UNDER THIS WARRANTY IS THE PURCHASER'S SOLE AND EXCLUSIVE REMEDY.

Limitation of Liability - RAGE R/C SHALL NOT BE LIABLE FOR SPECIAL, INDIRECT, INCIDENTAL OR CONSEQUENTIAL DAMAGES, LOSS OF PROFITS OR PRODUCTION OR COMMERCIAL LOSS IN ANY WAY, REGARDLESS OF WHETHER SUCH CLAIM IS BASED IN CONTRACT, WARRANTY, TORT, NEGLIGENCE, STRICT LIABILITY OR ANY OTHER THEORY OF LIABILITY, EVEN IF RAGE R/C HAS BEEN ADVISED OF THE POSSIBILITY OF SUCH DAMAGES.

Further, in no event shall the liability of Rage R/C exceed the individual price of the Product on which liability is asserted. As Rage R/C has no control over use, setup, final assembly, modification or misuse, no liability shall be assumed nor accepted for any resulting damage or injury. By the act of use, setup or assembly, the user accepts all resulting liability. If you as the purchaser or user are not prepared to accept the liability associated with the use of the Product, purchaser is advised to return the Product immediately in new and unused condition to the place of purchase.

Law - These terms are governed by Utah law (without regard to conflict of law principals). this warranty gives you specific legal rights, and you may also have other rights which vary from state to state. Rage R/C reserves the right to change or modify this warranty at any time without notice.

Rage R/C, an exclusive brand of:
HRP Distributing, Inc.
2034 South 3850 West
Salt Lake City, Utah 84104

© HRP Distributing, Inc.
Printed in China



© 2021 HRP Distributing, Inc