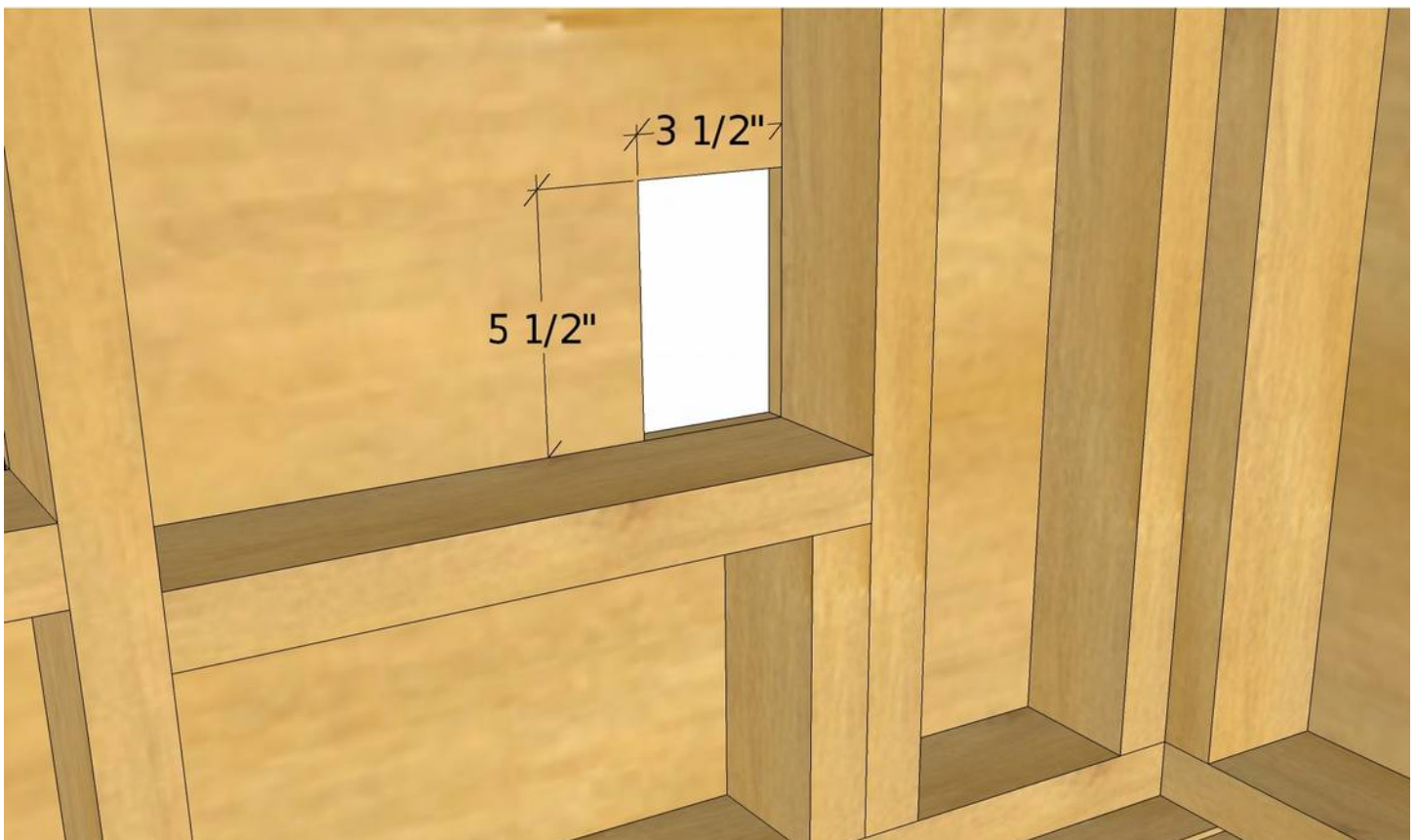
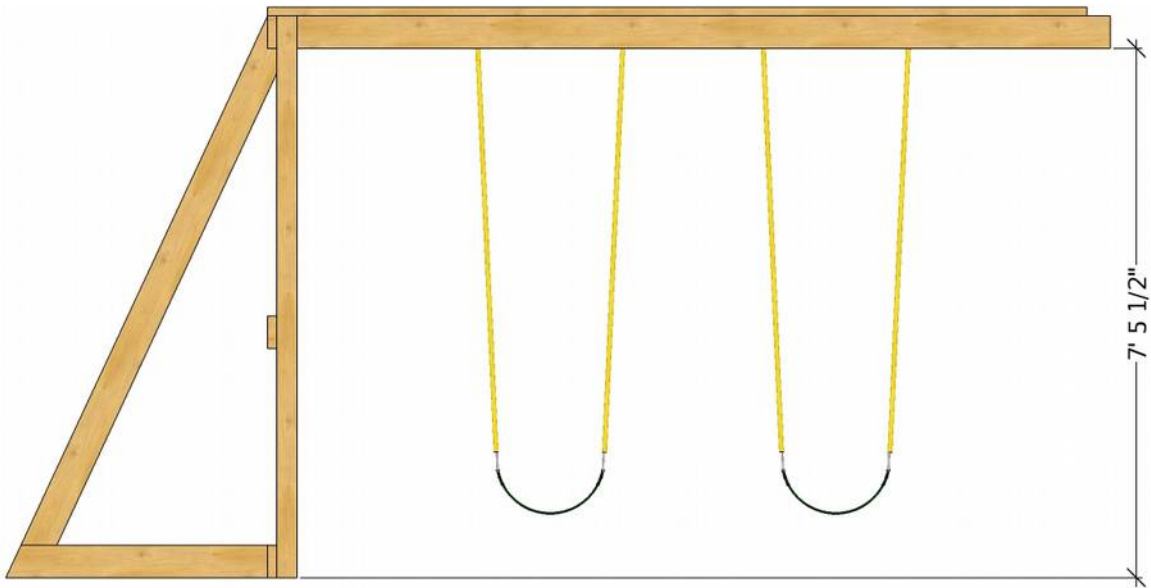


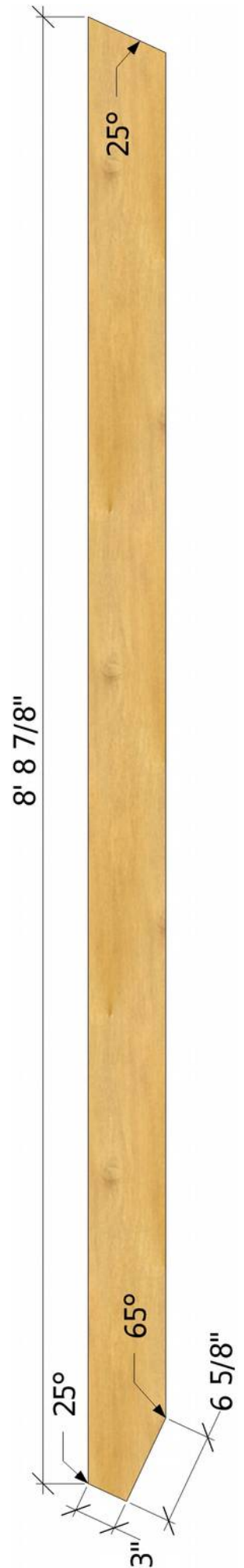


## Adding a Swing-Set to Your Play-set

The below illustration shows the final height of the swing-set attachment after it has been constructed. If your playhouse has plywood sheeting on the outside walls, cut a 5 ½" by 3 ½" opening, starting at the 7' 5 ½" height. Add supported blocking under this opening to help hold up the swing-set arm. The bottom illustration is an example of what you may encounter.

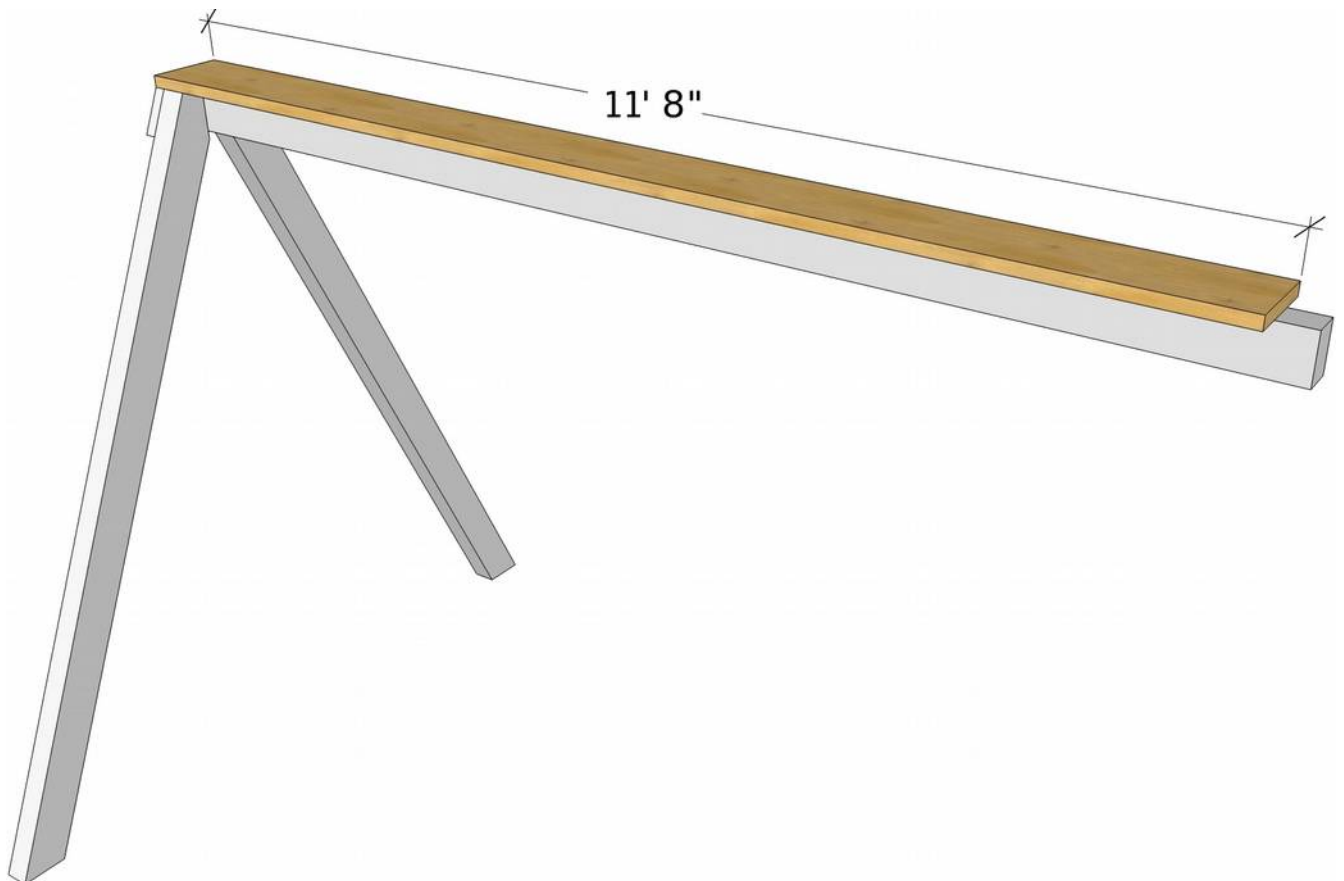
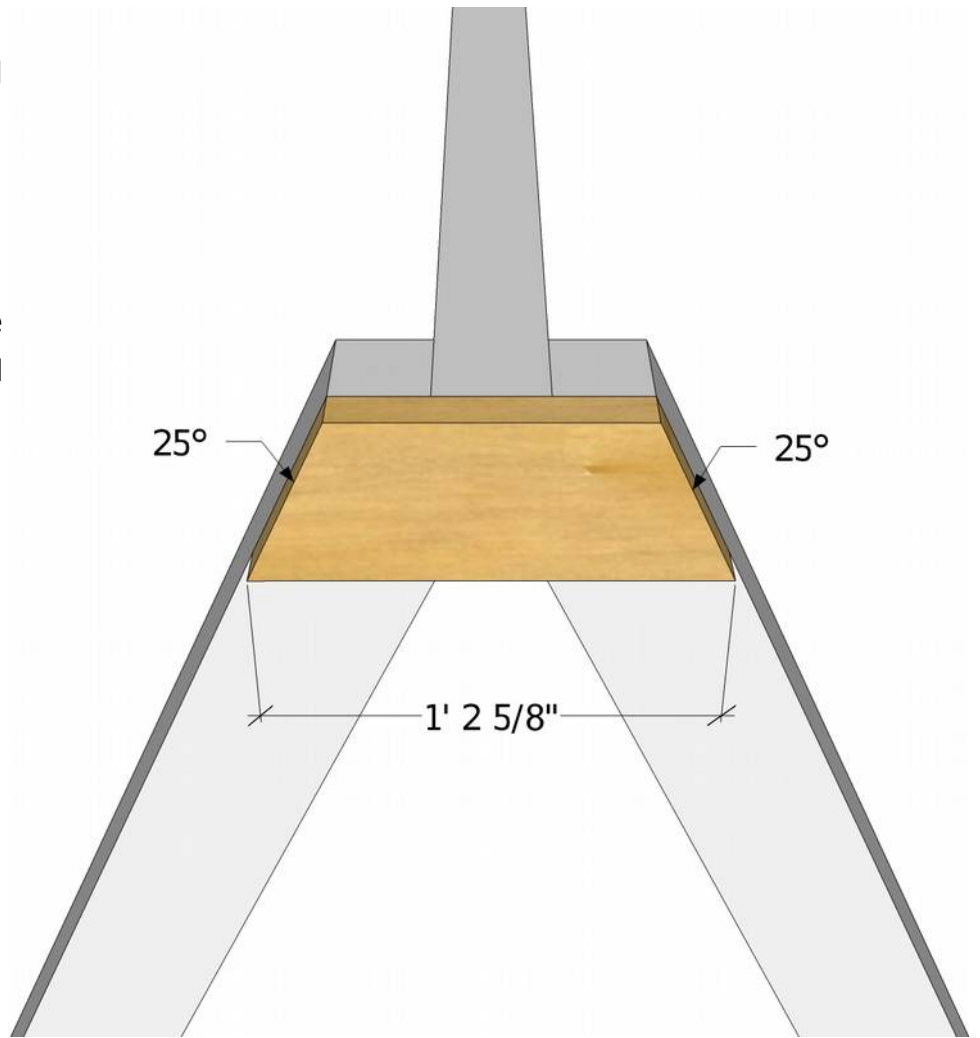


From **(2) 4x6x10s** and **(1) 4x6x12**, construct the unit depicted in the below illustration. Cut the two legs as depicted in the right illustration.

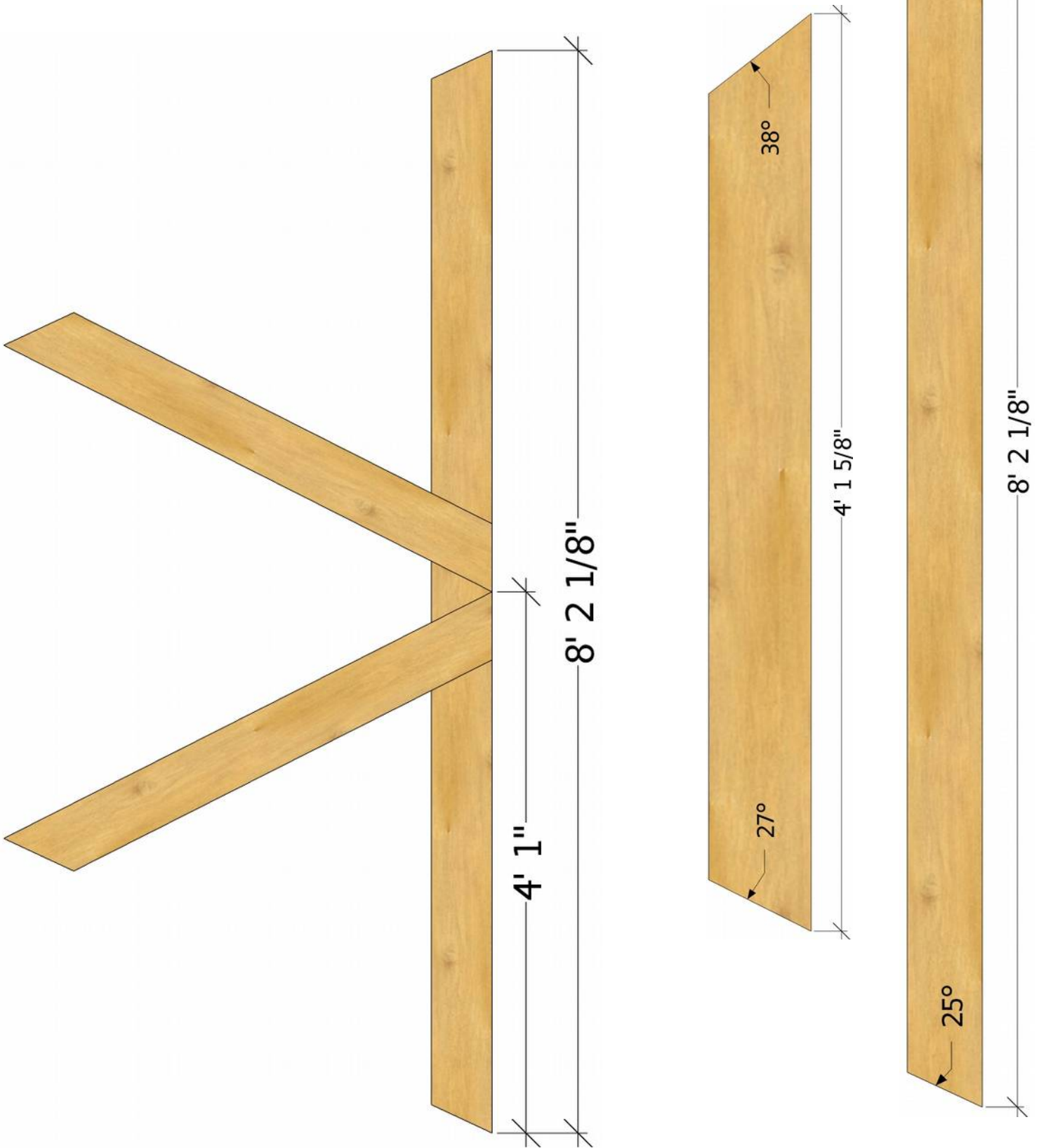


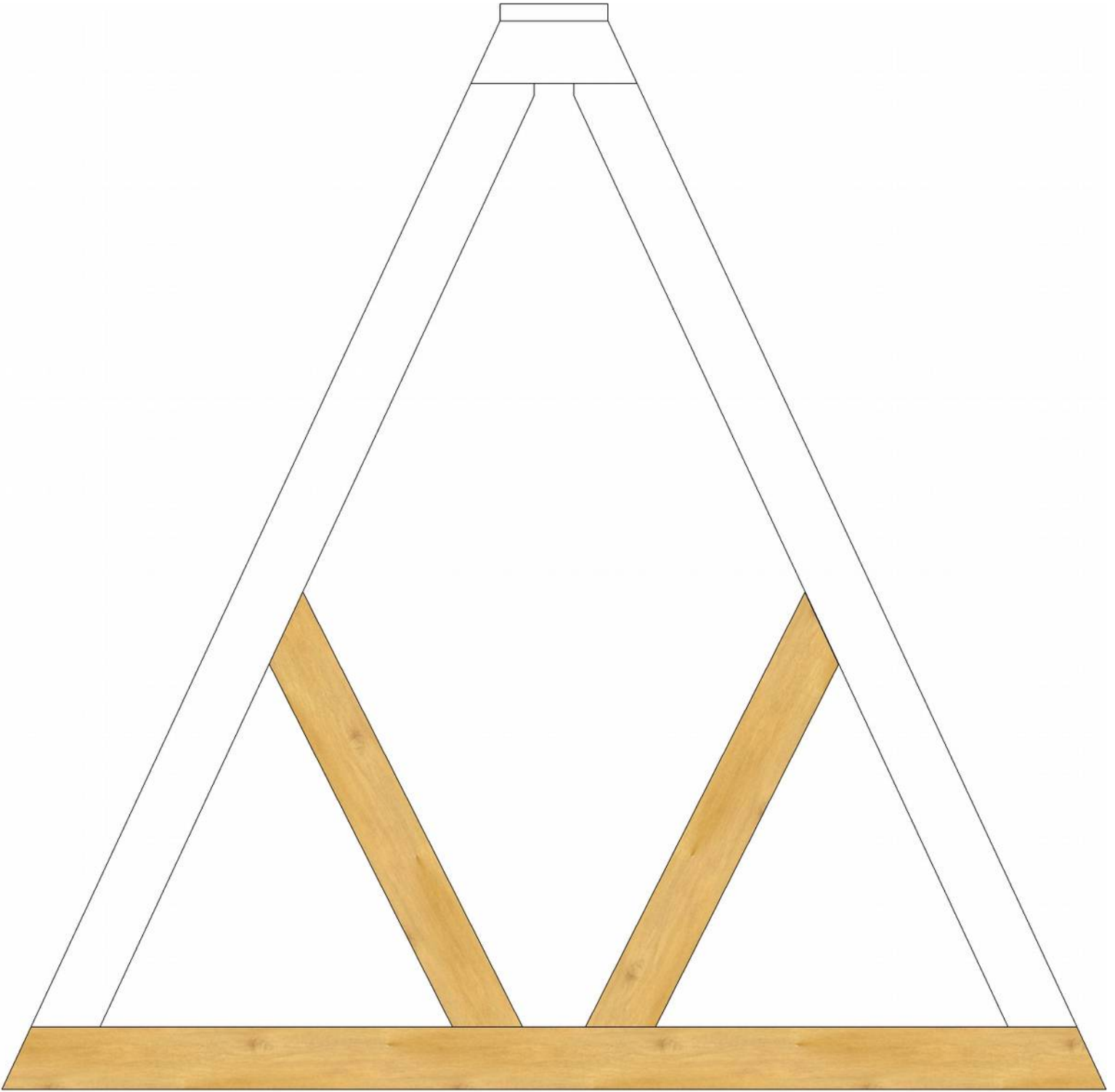
From some excess 2x6, cut and install an end piece as depicted in the right illustration.

From **(1) 2x8x12**, cut a 11' 8" piece and install it on top of the swing-set assembly as depicted in the bottom illustration.



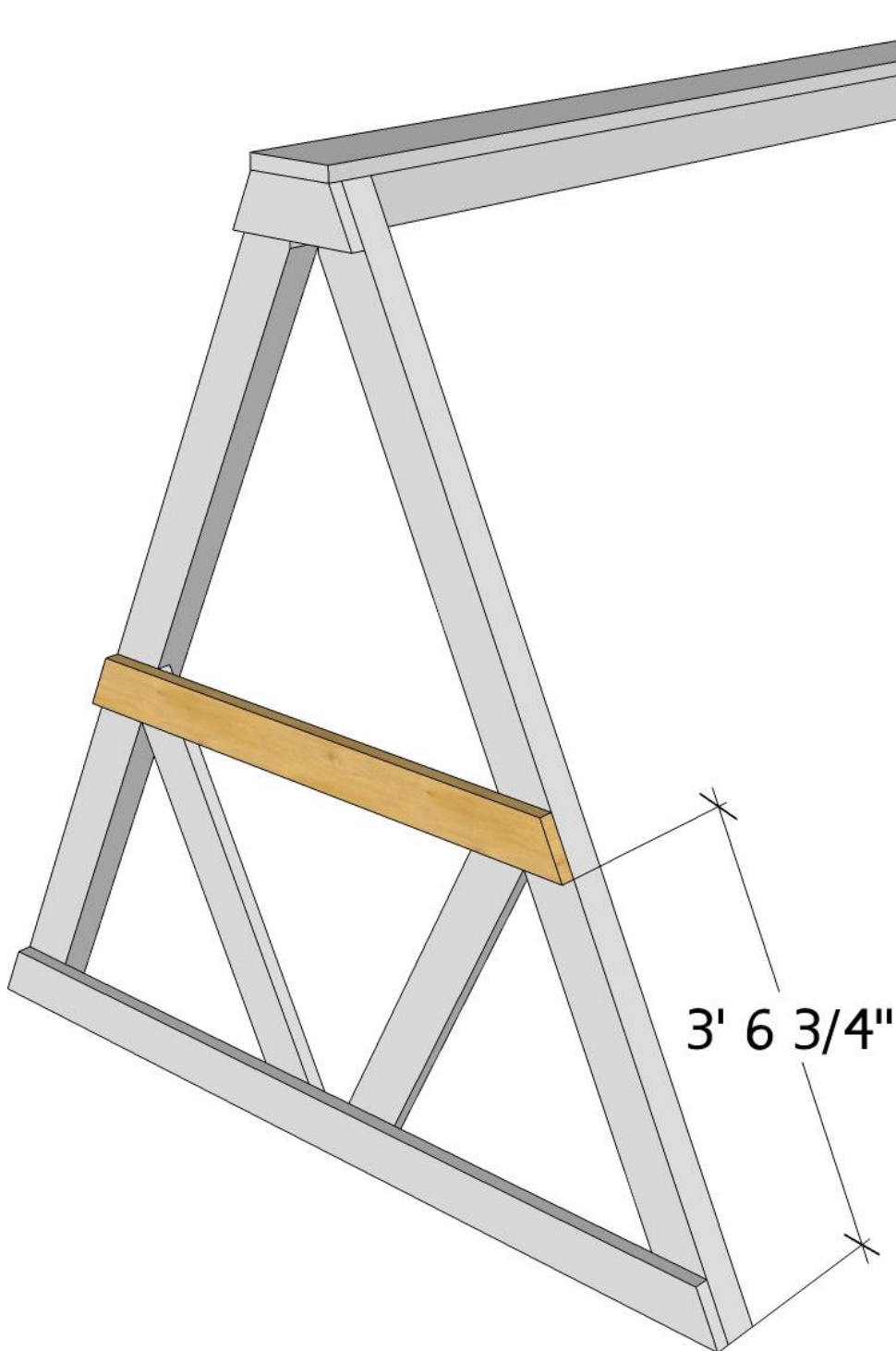
From **(1) 2x6x10**, cut the 8' 2 1/8" piece. From **(1) 2x6x8**, cut two of the 4' 1 5/8" piece. Combine these together as depicted in the below left illustration. Install them to the swing-set assembly as depicted on the next page.







From **(1) 2x6x12**, cut and install the 5' 2" piece to the swing arm assembly as depicted in the below illustrations.



From some excess 2x6, cut the 3' 8 1/4" piece depicted in the below illustration.

From **(1) 4x6x10**, cut the piece depicted in the far right illustration. Combine and install these two pieces to the swing-set assembly as depicted in the bottom left illustration.

Install the completed swing arm assembly to the play structure as depicted in the example on the next page. It should slide into the 3 1/2" by 5 1/2" slot in the wall. Make sure it is resting fully on the wall inside. Installing a metal plate to keep it from slipping out in the future is recommended.

