



Paul's Toddler Playhouse Plan



For e-mail support, contact Paul@PaulsPlayhouses.com





Terms & Conditions

Limitation of Liability

In no event shall Paul's Playhouses or its affiliates, officers, directors, employees, agents or suppliers be liable for any direct, special, incidental, indirect or consequential damages, or any other damages of any kind, including, but not limited to, loss of use, loss of profits or loss of data, whether in an action in contract, tort (including, but not limited to, negligence), or otherwise, arising out of or in any way connected with the use of, or inability to use this plan or the content or services contained on, or accessed through this plan, even if Paul's Playhouses has been advised of the possibility of such damages.

Disclaimer

This plan and the content available on it and any services provided on or in connection with this plan are provided on an "as is" and "as available" basis without warranties of any kind, either express or implied, and you agree that use of this plan and/or its content is at your sole risk. Paul's Playhouses disclaims all warranties, express or implied, including, but not limited to, implied warranties of merchantability, fitness for a particular purpose, title and non-infringement. Paul's Playhouses does not represent or warrant that materials on this plan are accurate, complete, reliable, current, or error-free. You acknowledge that your use of this plan and content is at your sole risk.

Some jurisdictions do not allow the limitation or exclusion of liability for incidental or consequential damages, so some of the above may not apply to you.

Copyright

All plan materials, including, without limitation, the company logo, and all designs, text, graphics, pictures, recipes, information, data, software, messages, and other files and materials in this plan, paulsplayhouses.com and the selection and arrangement thereof (collectively, "content") are the copyright and proprietary

property of Paul's Playhouses or its affiliates, users or licensors.

Any other use of content, including any commercial use, reproduction for purposes other than described above, modification, distribution, republication, display, or performance, without the prior written permission of Paul's Playhouses is strictly prohibited.

Links

When you click on links in this plan or Paulsplayhouses.com, they may direct you away from our site. Some of the links may be affiliate links, where if a purchase is made, we would receive some of the money. We are not responsible for the privacy practices of other sites and encourage you to read their privacy statements.

License

With these plans, provided by Paul's Playhouses, you are thereby granted, subject to these terms a limited, non-exclusive license to use these plans to build the structure depicted in them one time and one time only; and to modify and reproduce these plans solely to the extent required for purposes of satisfying your specific needs and/or to meet the requirements of your specific state and local building codes, ordinances or regulations in completing the project. In addition to any other requirements set forth in these terms you agree to comply with the following restrictions, requirements and conditions to which the license is subject:

1. You shall not, and shall not authorize or permit anyone else to, sell, redistribute or publish these plans, or otherwise disclose these plans to anyone other than contractors, consultants, lenders or governmental agencies on a "need to know" basis as reasonably required for the purpose of building a single structure subject to the license.
2. You may not create derivative works based on these plans other than such modifications as may be required for your own use in building a single structure in accordance herewith.



Introduction

Thank you for downloading Paul's Toddler Playhouse Plan! We hope that both the construction and completed project make for a great experience for the whole family or your business. Our goal is to make building engaging children's play structures easy for novices and experts alike.

Before beginning, make sure to read over the entire plan to get a feel for the project, as well as add up & compile all the materials that will be needed. If you have any questions, please see our [FAQ](#) page and feel free to send an email. Don't forget to reference the below points before and during the build too. Happy play housing and have fun!



Before You Swing That Hammer

Construction Tips & Guide



Lumber & Material Volume Discount

- Many lumber yards and hardware stores offer a lumber delivery service and bulk or "volume" purchase discounts, which we encourage you to take full advantage of to save time, money and hassle.
- Paint, stain, hardware, windows, roofing materials, tools and other accessories can be bought at this time to help increase the discount.



Nailing, Screwing & Framing Methods

See our [How To Frame page](#) for more comprehensive connection instructions.

- We recommend using screws over nails as it secures the building materials together more effectively.
- Use two screws to connect 2x4s together, three screws for 2x6s, etc.
- Use 3" screws every 16" apart to attach wall plates to the floor and walls to each other. Make sure the screws going into the floor intersect a joist.
- Use two, 2" decking screws 3/4" away from the edges to attach 5/4" decking.
- Use two 1/2" carriage bolts to attach any 4x4 posts to a joist.
- Screw every 6" along the edges and every 12" in the "field" to attach plywood.
- Toe screwing may also be needed to attach some joints together.

Choosing the Foundation

See our [Playhouse Foundation page](#) for more information on the below options.

There are typically nine foundational methods for supporting backyard structures.

1. Direct Grade Contact (DGC)
 2. Sand & Gravel
 3. Concrete Slab
 4. Wood Skids
 5. Cinder/Deck Block to Joists
 6. Cinder/Deck Block to Skids
 7. Extended-Anchored-Posts
 8. Pier & Beam
 9. Concrete Tube Footing
- When choosing your structure's location, maintain at least 6' from any other structure or obstacle to provide a safe environment for play and interaction.
 - On flat or ultra low sloping locations, most play structures can be built right on the ground (DGC). Some regrading may still be necessary to level and plumb the structure's base.
 - Moderate sloping locations can often utilize cinder blocks / deck blocks, while heavy slopes will require options 7-8 as a more viable alternative. Be aware of joist spans, seams and cantilevers when using skids/beams.
 - Use [shed ground anchors](#) and joist mounted [surface anchors](#) in high wind areas to prevent the structure from moving or blowing over.

Construction

See our [Building Material page](#) to help choose what lumber to purchase.

- If you're low on time, tools and experience, and considering employing qualified help, use our [guide for hiring a handyman](#) to ensure you find the right professional.
- Our plans are designed with the assumption starting joists are level with the grade. If your structure is elevated higher, or the grade differs within the plan footprint, ladders, rock walls, swing-sets and slides will need to be adjusted to compensate.
- When building, make sure all the framing is square. You can achieve this by cross measuring the corners to see if they are equal, or use the [3,4,5 rule](#).
- Be advised that if an exact 8', 10', 12' or 16' piece is required, you may still need to cut it as they can vary in length by up to an inch.
- For illustrative purposes, different framing units are often shown assembled before being installed to the rest of the project. In practice, however, prior assembly

generally isn't necessary or practical, and usually should be built in place.

- [Cross bracing](#) with wood or cable can be used to help stiffen up a platform and prevent it from wobbling. Many of our designs will also experience some instability before the exterior sheeting is installed.
- For areas that use the metric system: **1" = 2.54cm** | **1' = 30.48cm**
- Be sure to check out Paulsplayhouses.com's [accessories page](#). There, you will find the correct sized windows, slides, as well as other play attachments for your project. *Note:* if your deck height doesn't exactly match an available slide height, opt for the next largest size.
- If you are thinking about incorporating a tree into your playhouse design, be sure to check out [TreehouseSupplies.com](#) for treehouse hardware, kits, zip-lines and other accessories.

•

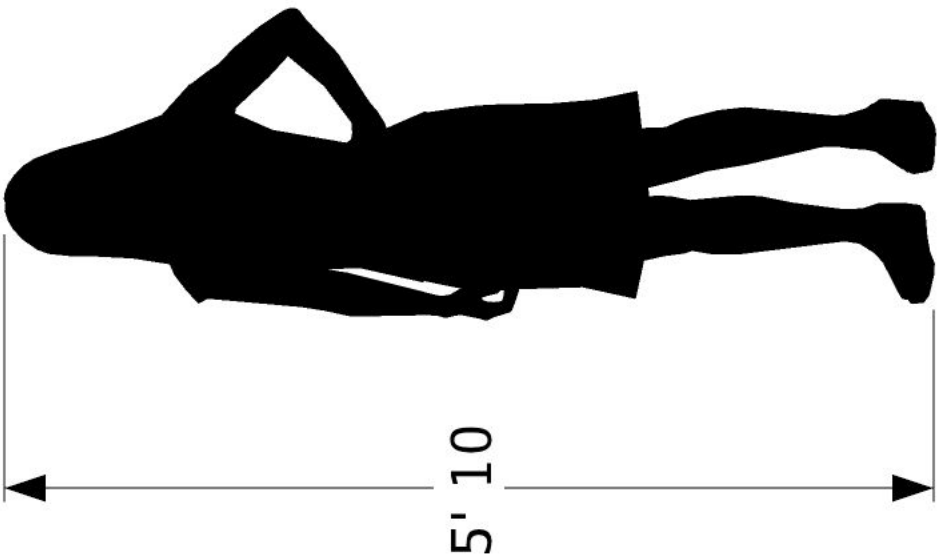
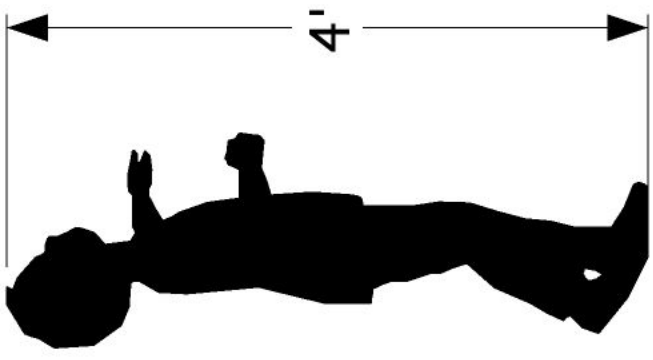
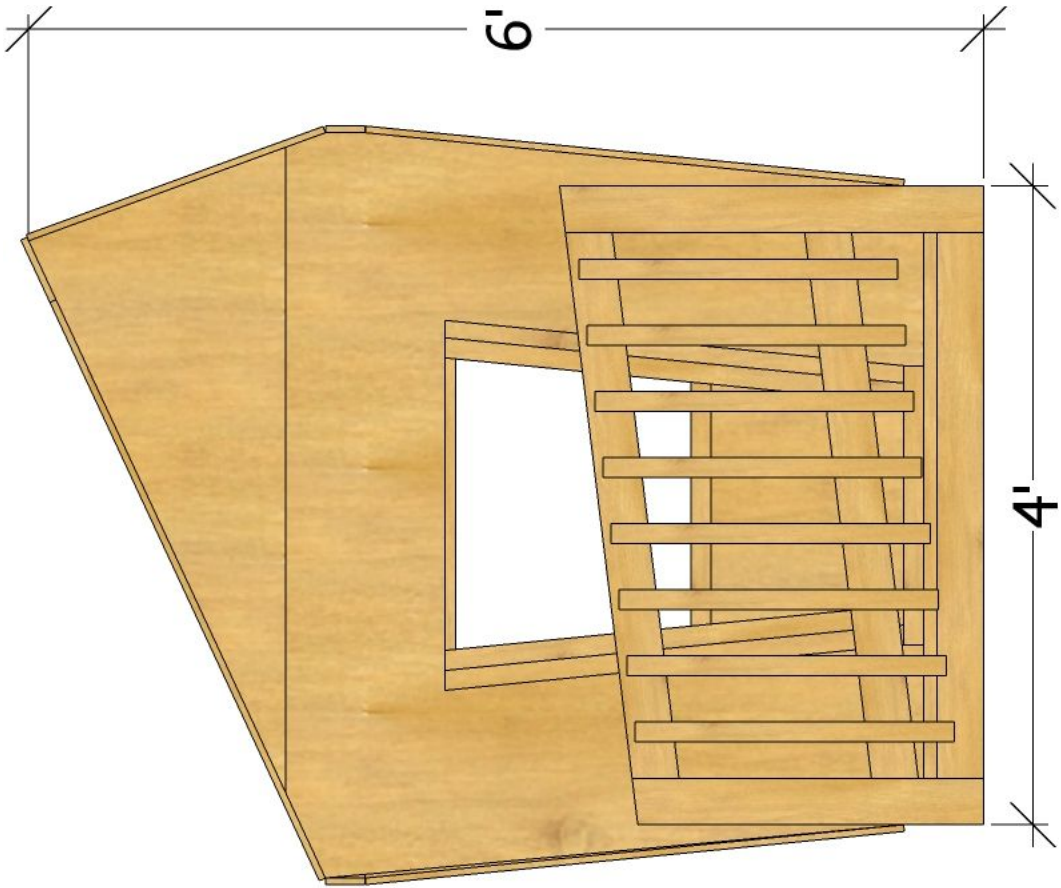
● **Maintenance**

- Make sure to paint or stain all the exterior lumber to keep it safe from the rain and other elements. All exterior framing and decking material should be pressure treated or intended for the outdoors. Waiting at least 6 months for PT lumber to dry before painting/staining is recommend.
- Use a [flexible rubber based coating](#) before you paint if you want to increase the project's waterproofing capabilities, especially on horizontal surfaces without roofing materials .

● **Safety**

- Spreading [play mulch](#) and having distinguished walks can help reduce trip and fall injuries. Be sure to also add handles in climbing locations, as well as sand sharp and rough edges in high traffic areas.
- Read over the United States CPSC's [Outdoor Home Playground Safety Handbook](#). This short publication goes over important safety factors when it comes to a variety of topics regarding backyard play structures.

● Feel free to make changes to the design, and don't forget to post or tag your finished project photos to our social media pages. We would love to add your project to our website and social media for others to see and enjoy! You can also leave a review for individual plans on our website too. Thank you!





Hardware List ⇨

Screws	½" Bolts	Accessories	Hardware	Windows
5 lbs GRK 3⅛" R4 Screws	N/A	N/A	N/A	N/A
5 lbs GRK 2½" R4 Screws				
Optional GRK 4" Timber Screws				



Lumber List ⇨

Decking	2x4	2x6	Balusters	Plywood
5 5/4" x 6" x 8'	13 2" x 4" x 8'	1 2" x 6" x 8'	4 2" x 2" x 36"	4 4' x 8' x ½"
X 5/4" x 6" x 12'	2 2" x 4" x 10'	2 2" x 6" x 12'	Balusters	
	2 2" x 4" x 12'			



Roofing ⇨

The total roofing area is **26** square feet. Generally, account for a 5-10% waste factor when buying roofing material. If asphalt shingles are being used, see the packaging for determining how much to purchase and installation instructions.



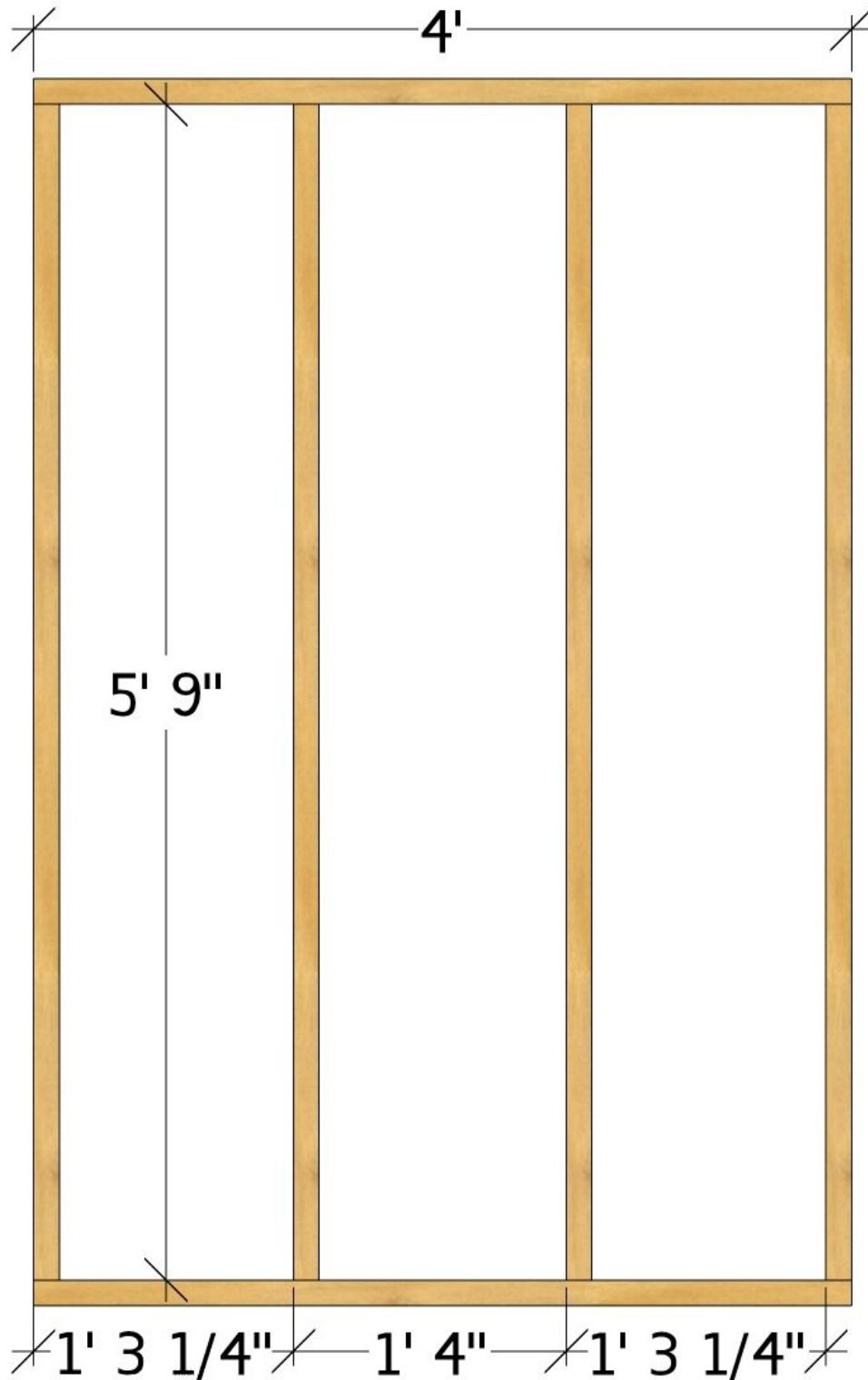
Tool Recommendations ⇨

Hand Tool Set	Drill & Impact Combo	Measuring Tape	Speed Square
7¼" Circular Saw	Hammer (20oz)	Hand Saw	Orbital Sander
Oscillating Multi-Tool	Miter Saw	Chalk Line	Reciprocating saw

1

Framing the Joists

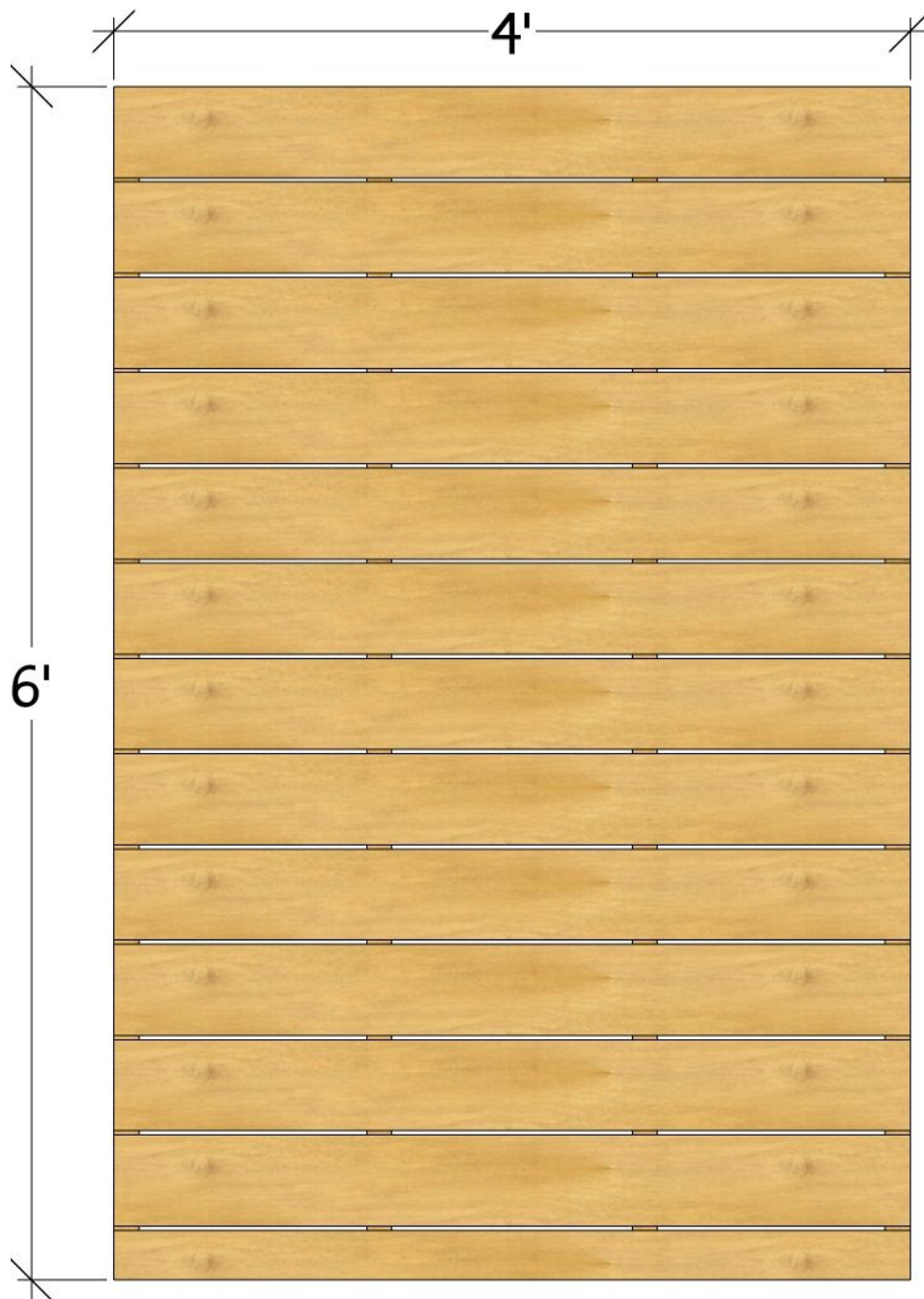
From (1) 2x6x8 and (2) 2x6x12s, cut and assemble the six pieces together as depicted in the below illustration. Cross measure the corners to check for square.



2

Laying Down the Decking

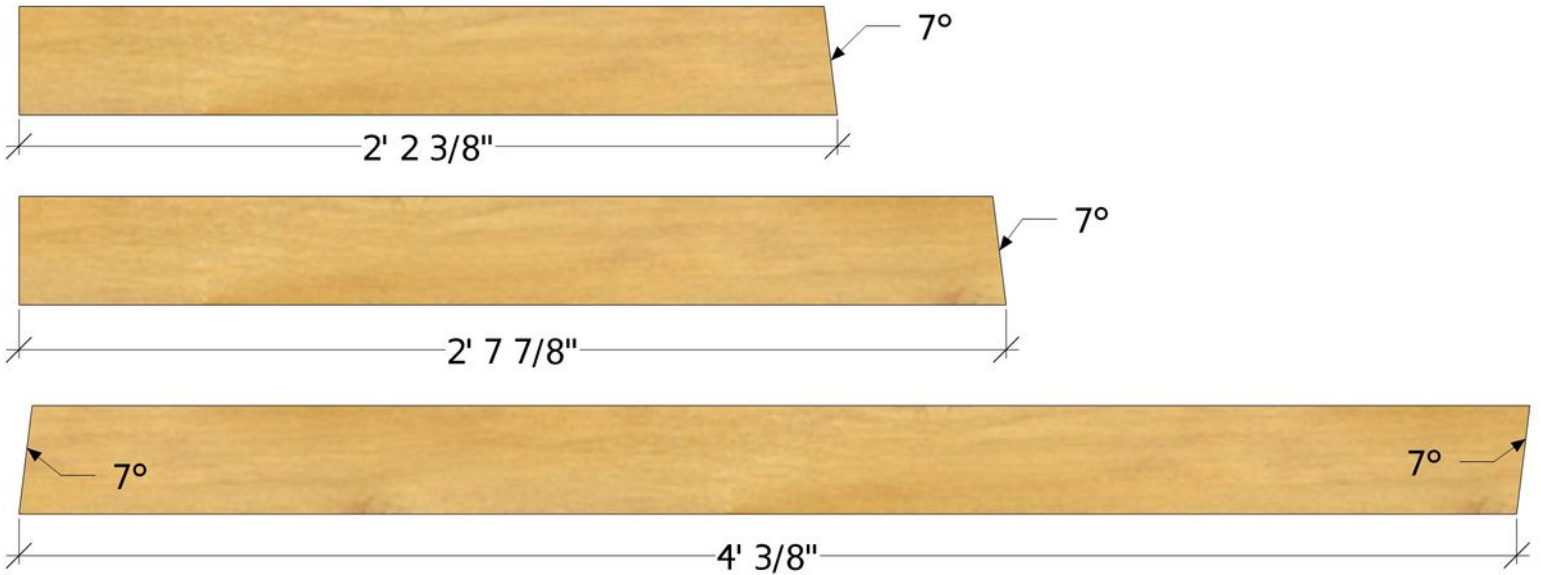
From (5) 5/4" x 6 x 8' decking boards and (1) 5/4" x 6 12' decking board, cut thirteen 4' pieces and install them to the top of the joists as depicted in the below illustration. The last piece will likely need to be ripped down to be flush. Space the boards apart by 1/4".



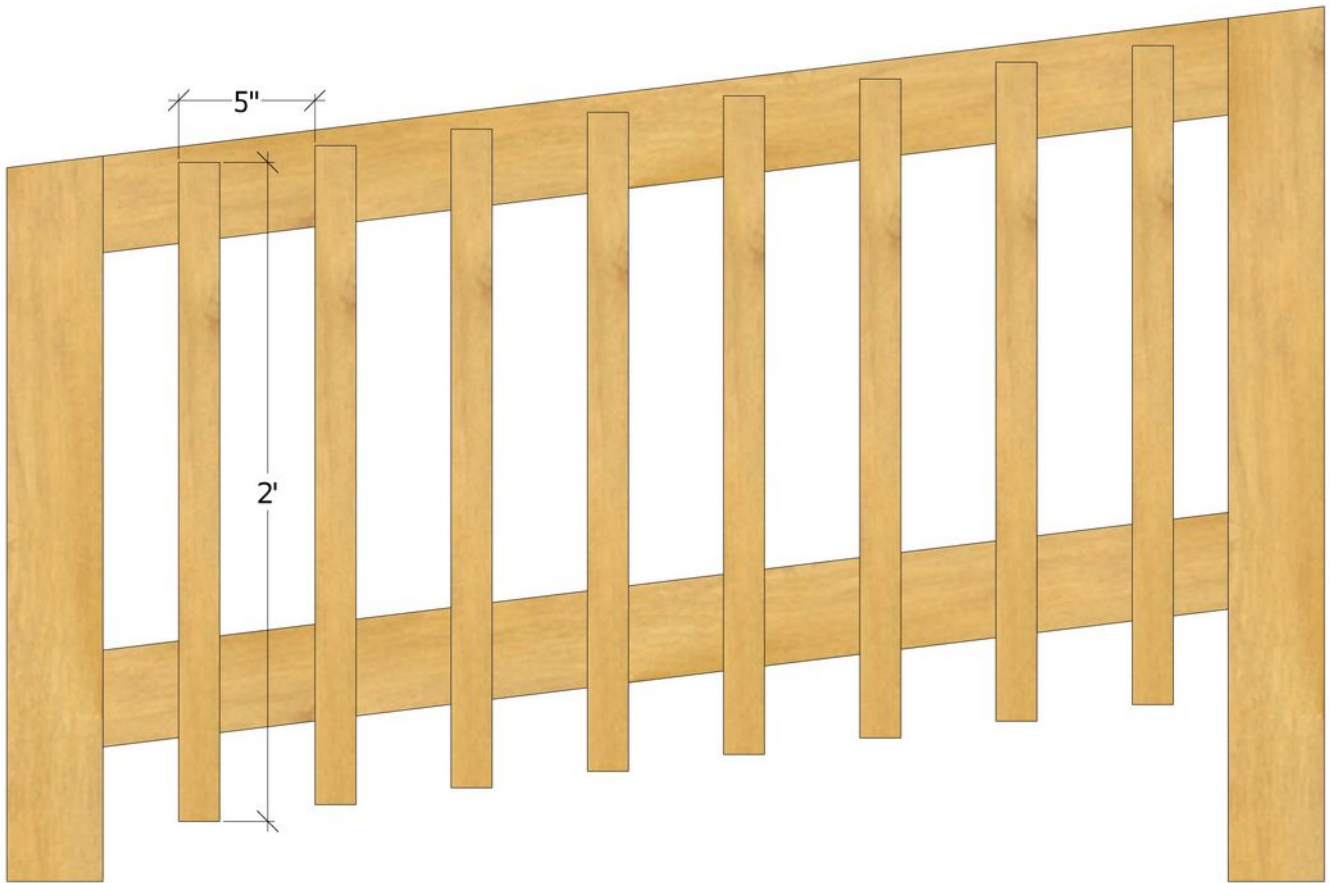
3

Framing the Front Railing

From (2) 2x4x8s, cut one each of the first two pieces show below, and two of the 4' 3/8" piece. Combine these four pieces together as depicted in the bottom illustration.



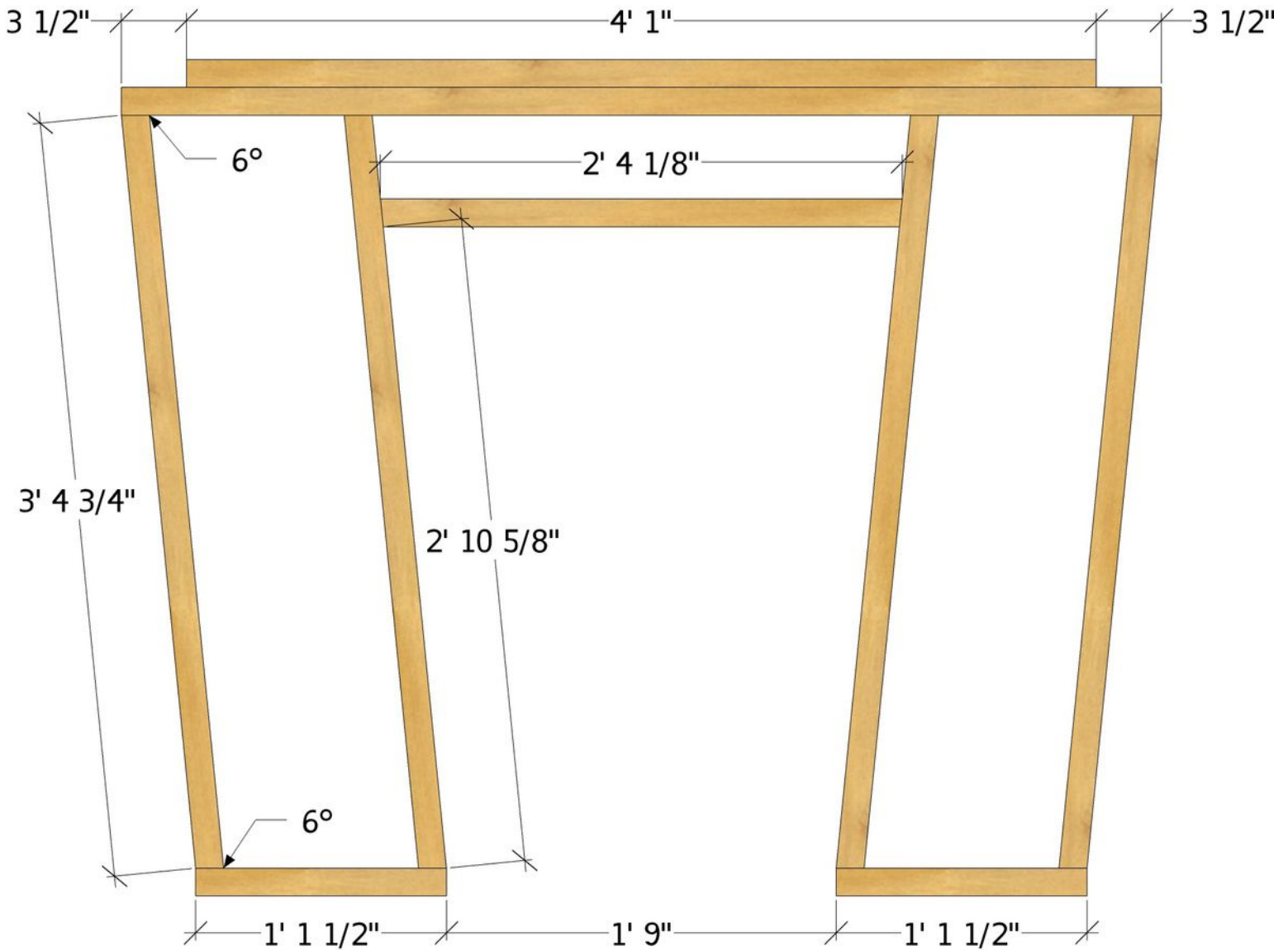
From (4) 2x2x48 balusters, cut eight 2' pieces. Install these eight pieces to the previous unit as depicted in the below illustration. Install this whole railing assembly to the front of the platform as shown in the bottom illustration.



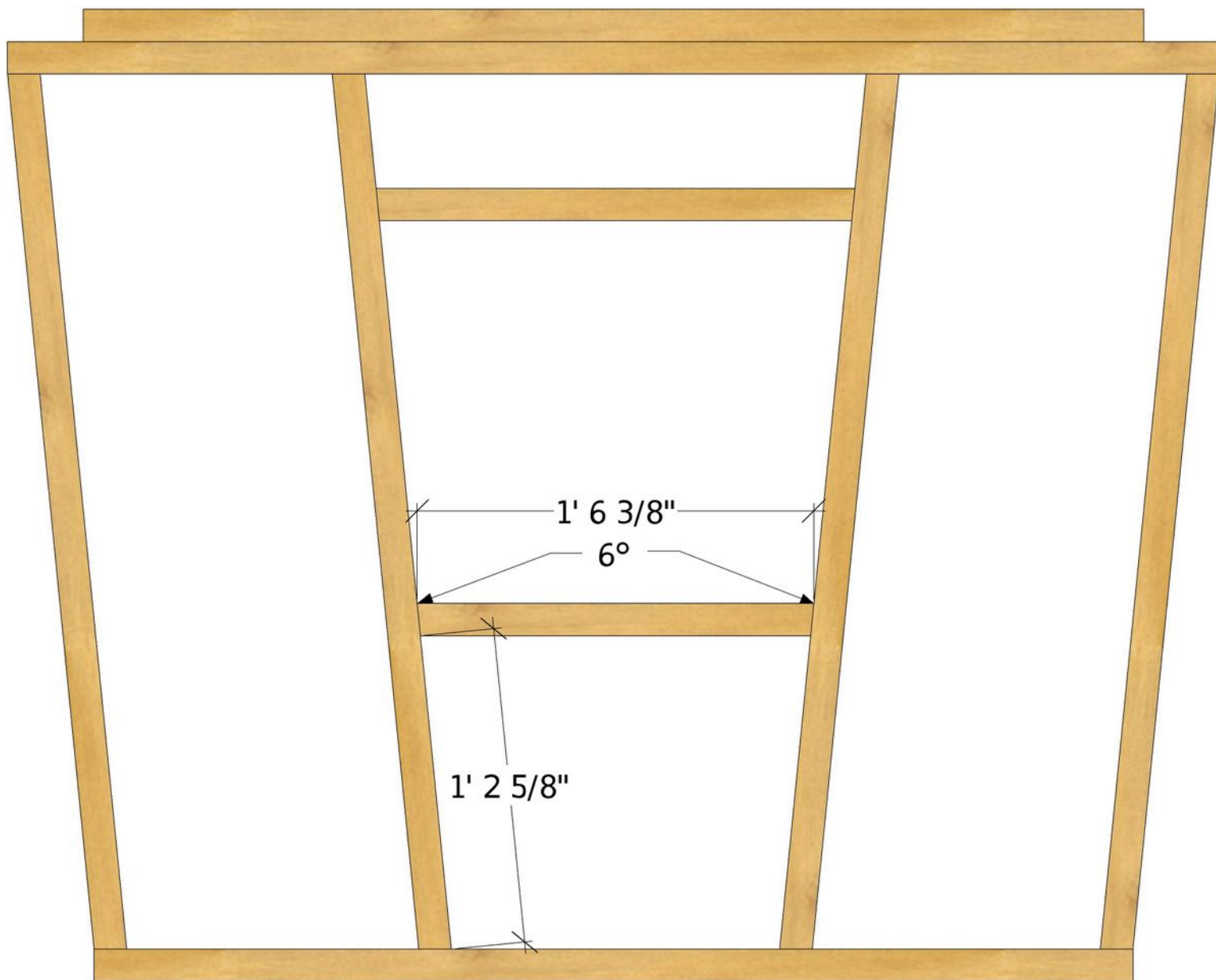
4

Framing the Front & Back Walls

From (4) 2x4x8s, construct the front wall depicted in the below illustration.



From (2) 2x4x8s and (2) 2x4x10s, construct the back wall depicted in the below illustration. Most of the dimensions of this wall are exact to the front wall.

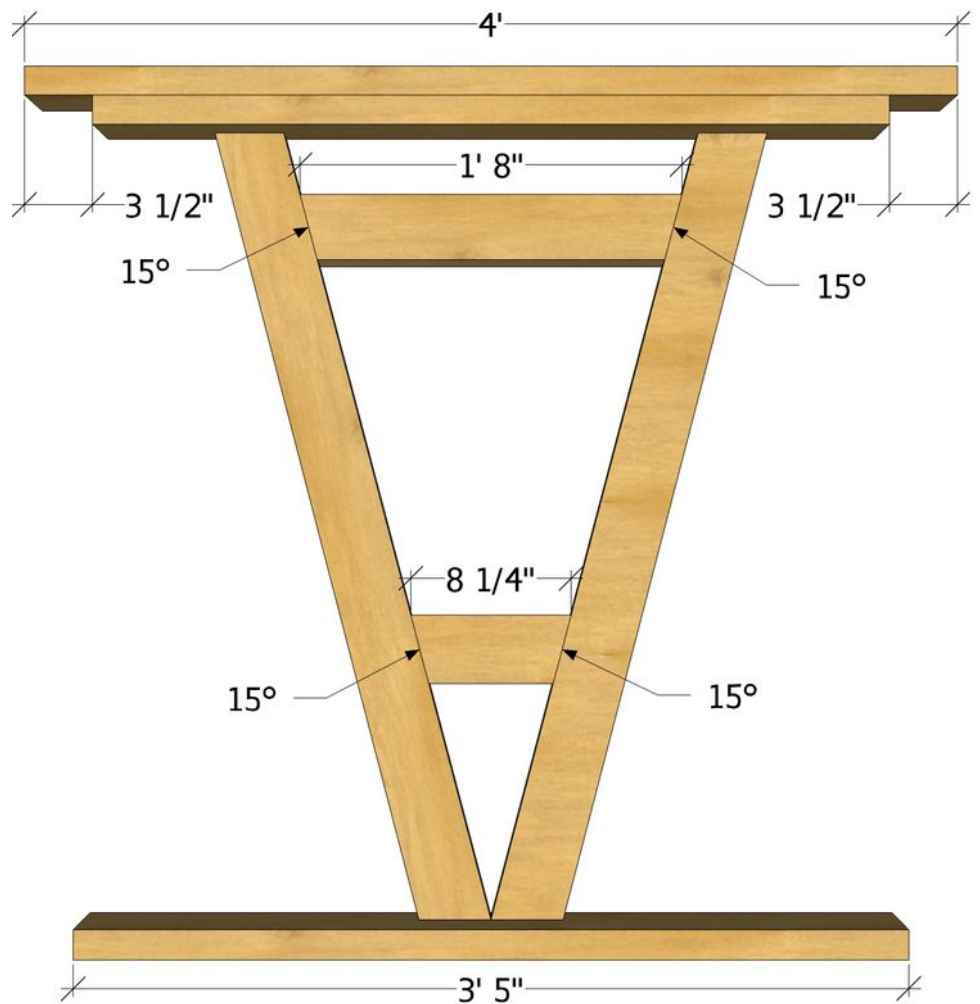


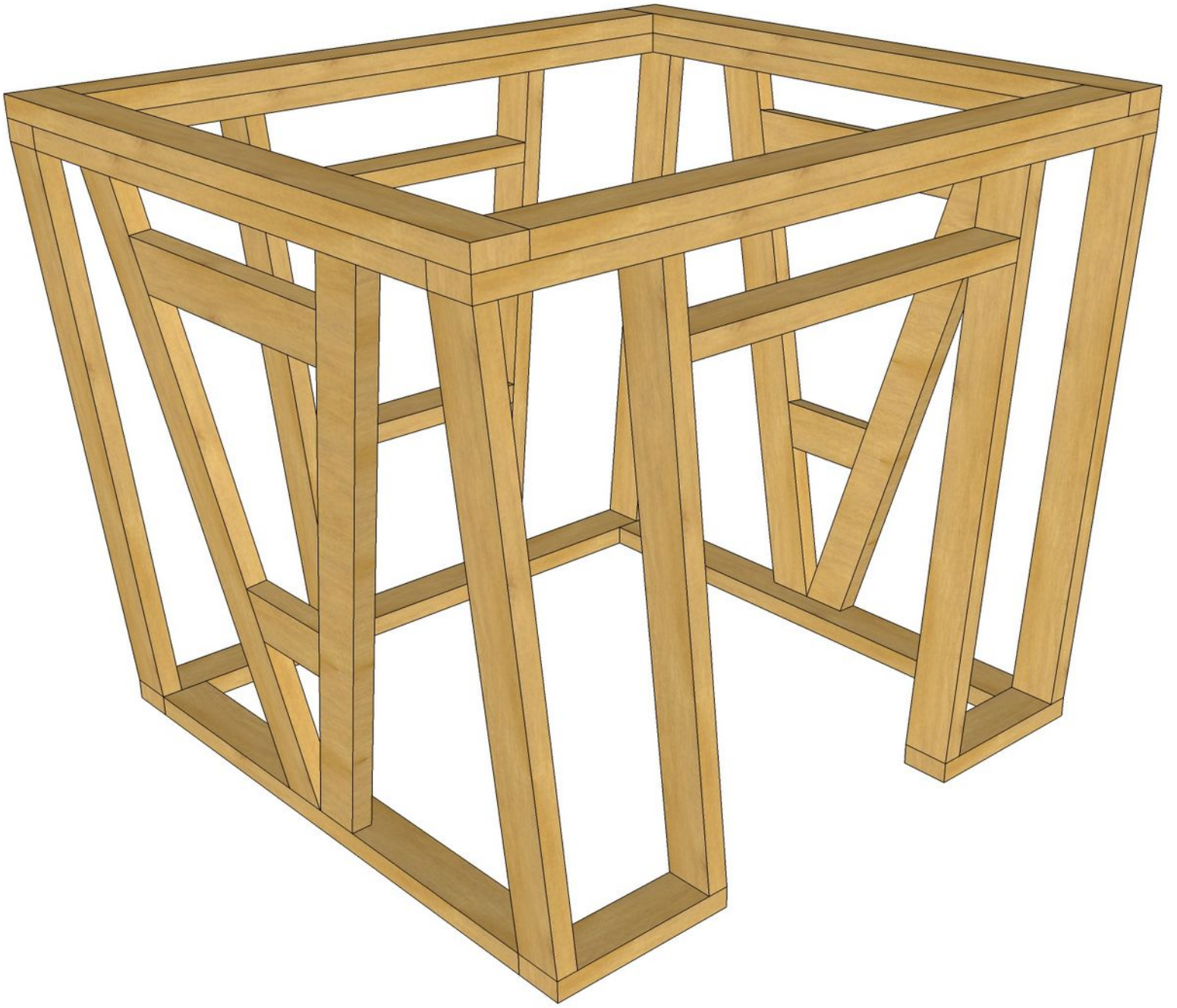
5

Framing the Side Walls

The two illustrations to the left are a top-view and side-view look at the same piece. From (1) 2x4x8, cut this piece, as well as a mirrored version as well. With these two pieces, as well as (1) 2x4x12, construct the wall depicted in the below illustration.

Two of these walls will be required.

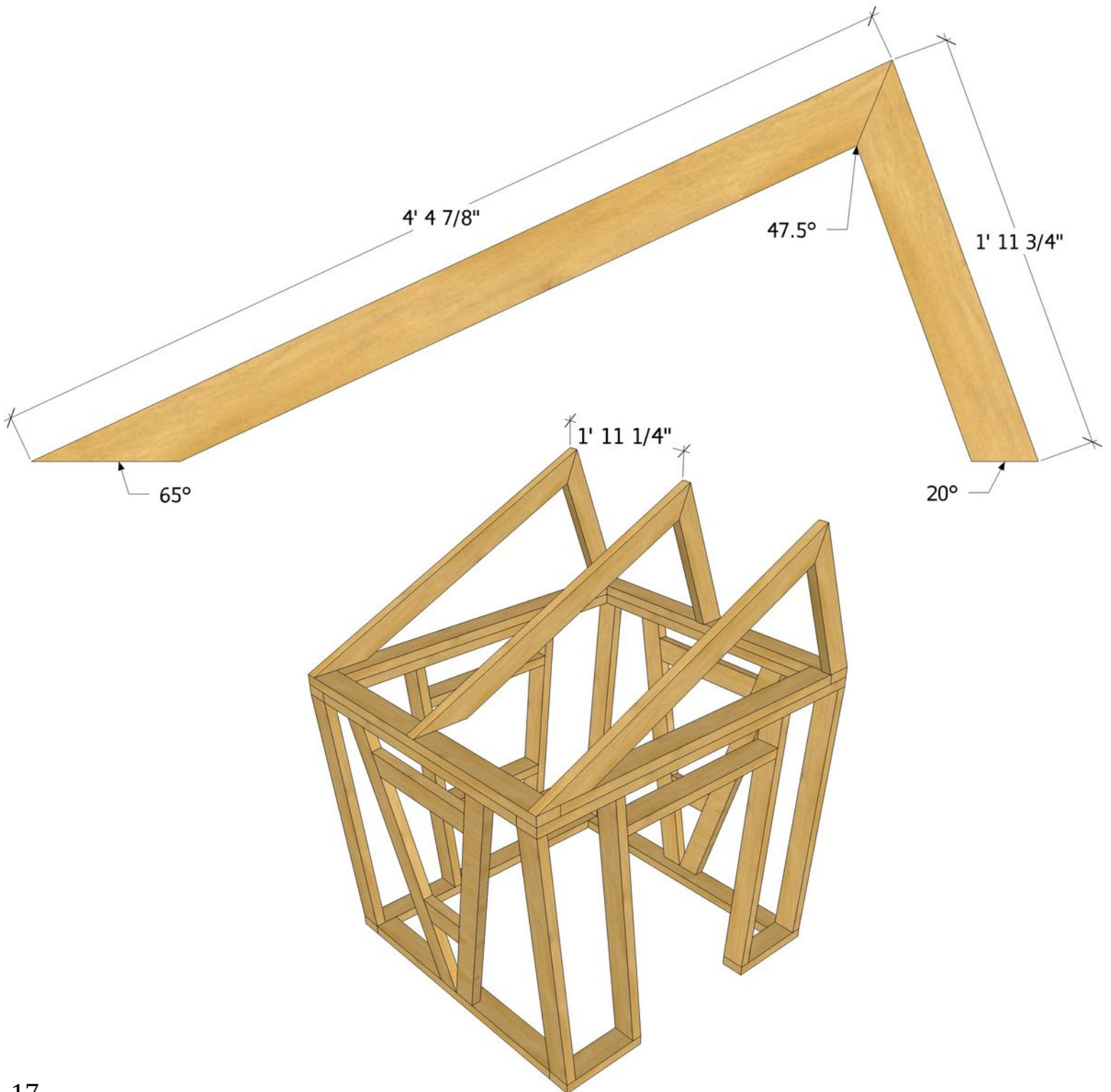




6

Framing the Rafters

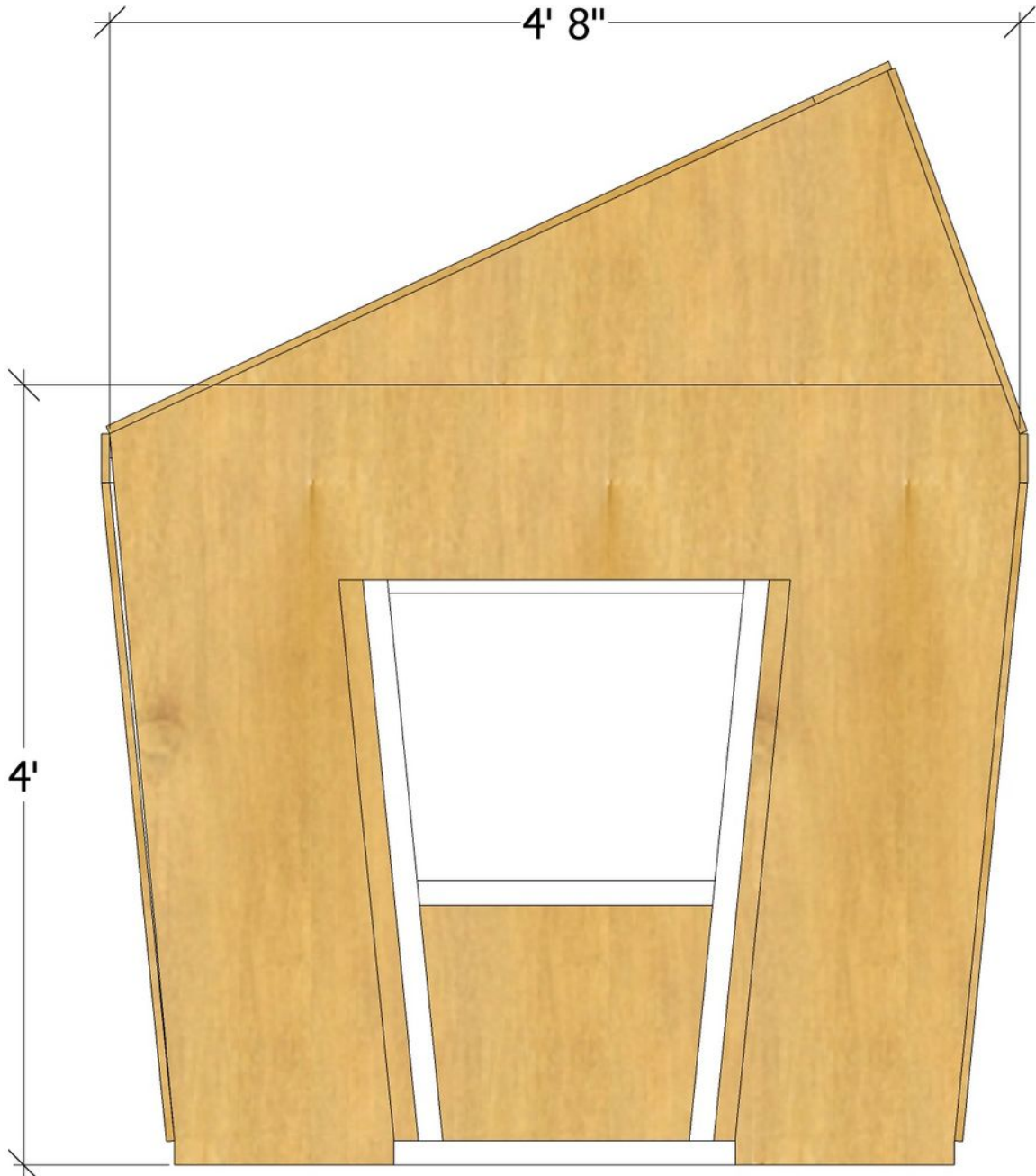
From (3) 2x4x8s, construct three of the rafter unit depicted in the below illustration. Install these three units to the top of the playhouse as depicted in the bottom illustration.



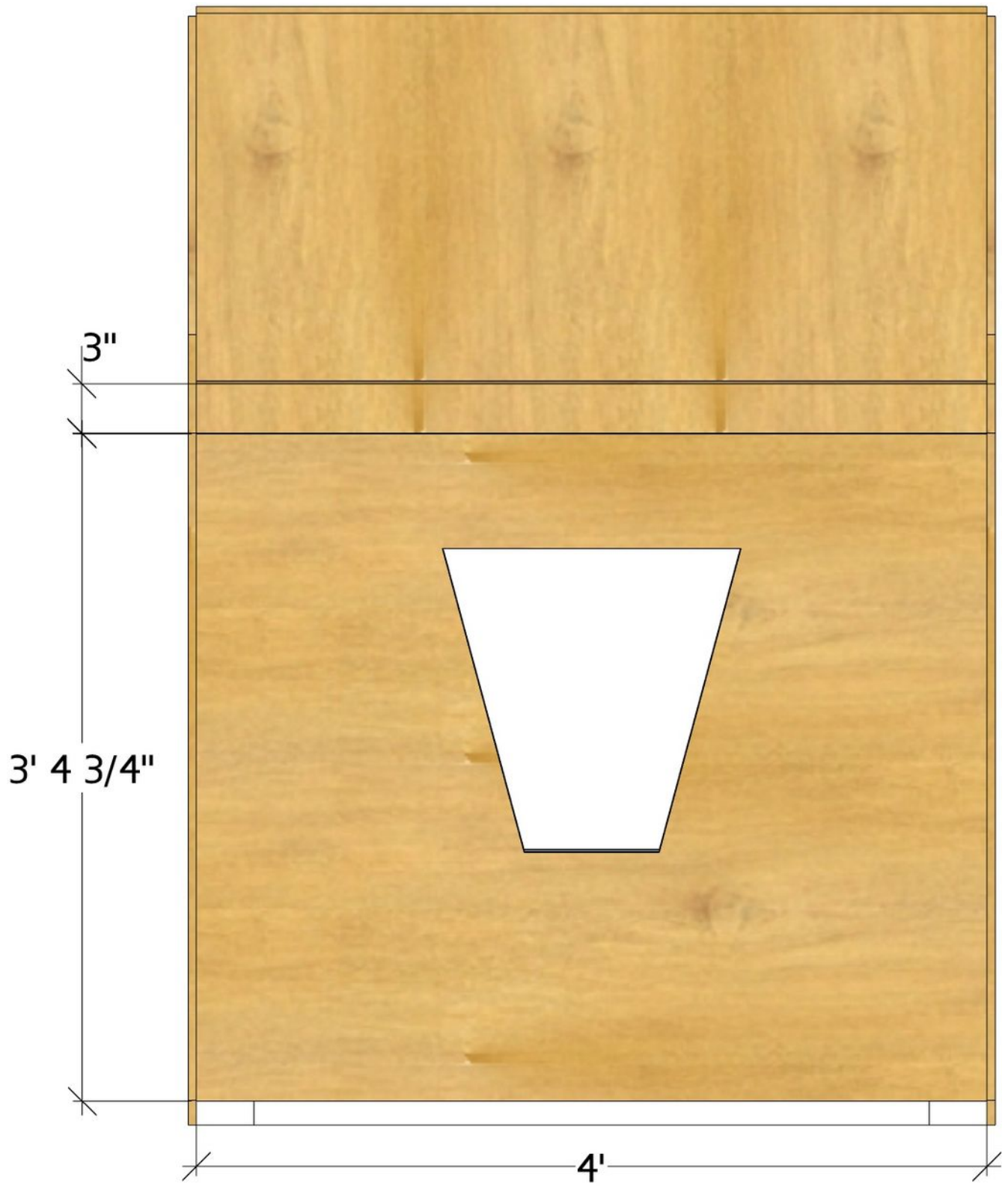
7

Installing the Siding

From (4) ½" sheets of plywood, cut and install the eleven pieces to the playhouse as depicted on the next three pages. Cut the pieces square, then trace out the edges, window and door openings. Install the pieces after the trace marks have been cut



Front Side – Back side has same dimensions



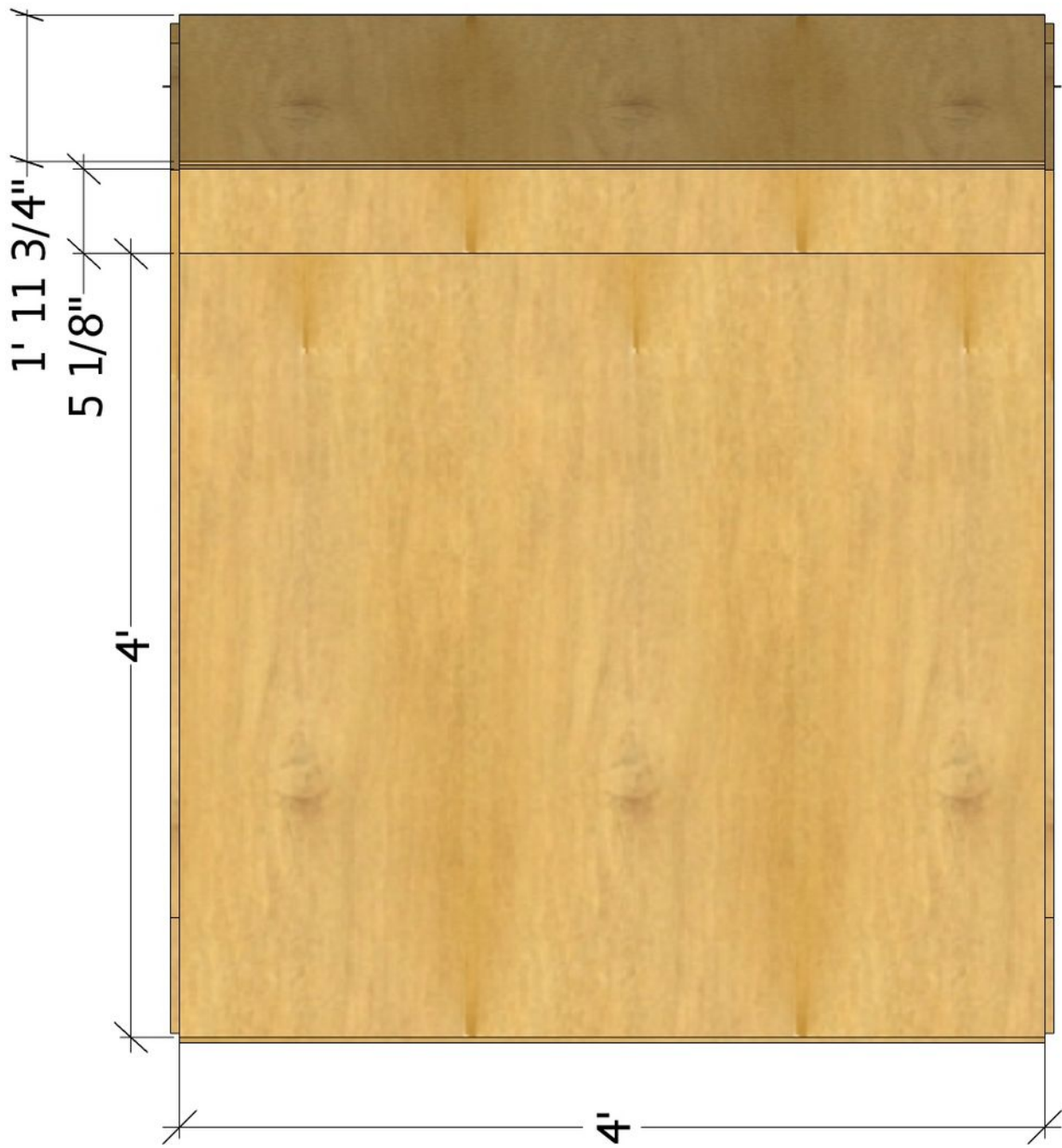


Illustration 1: Top Side

